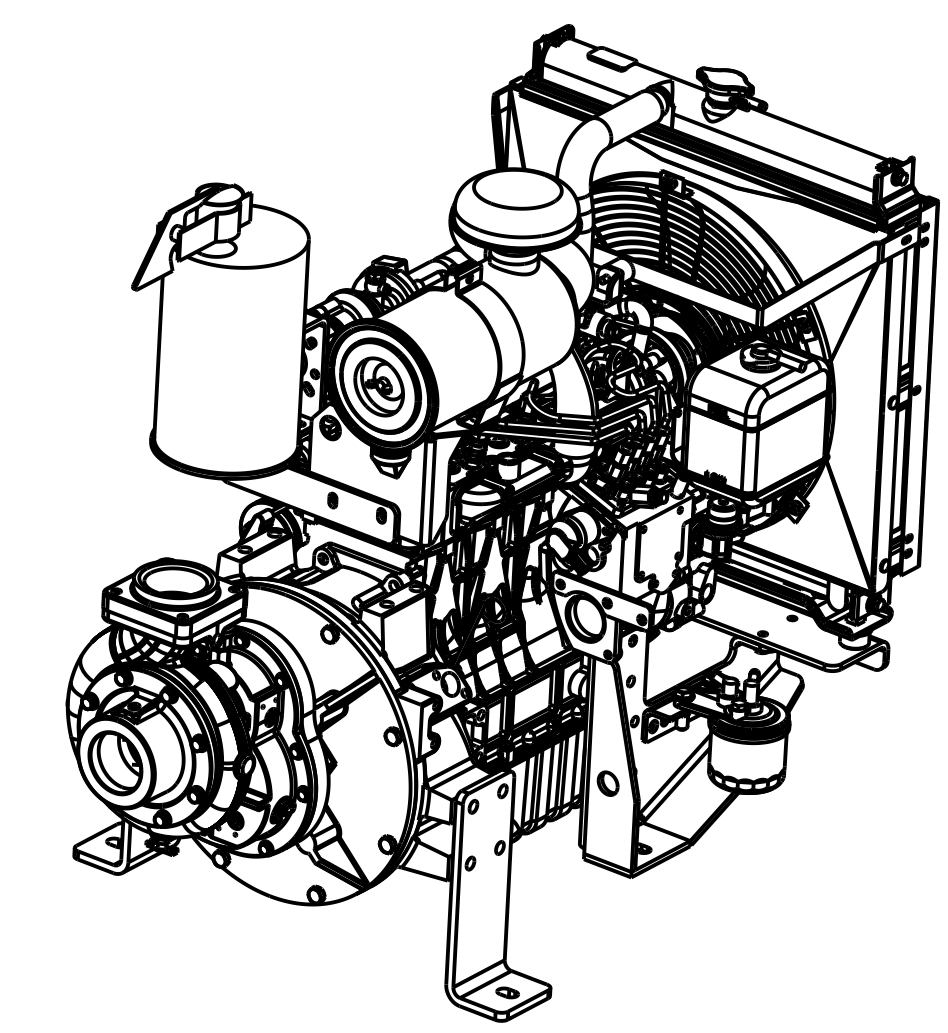
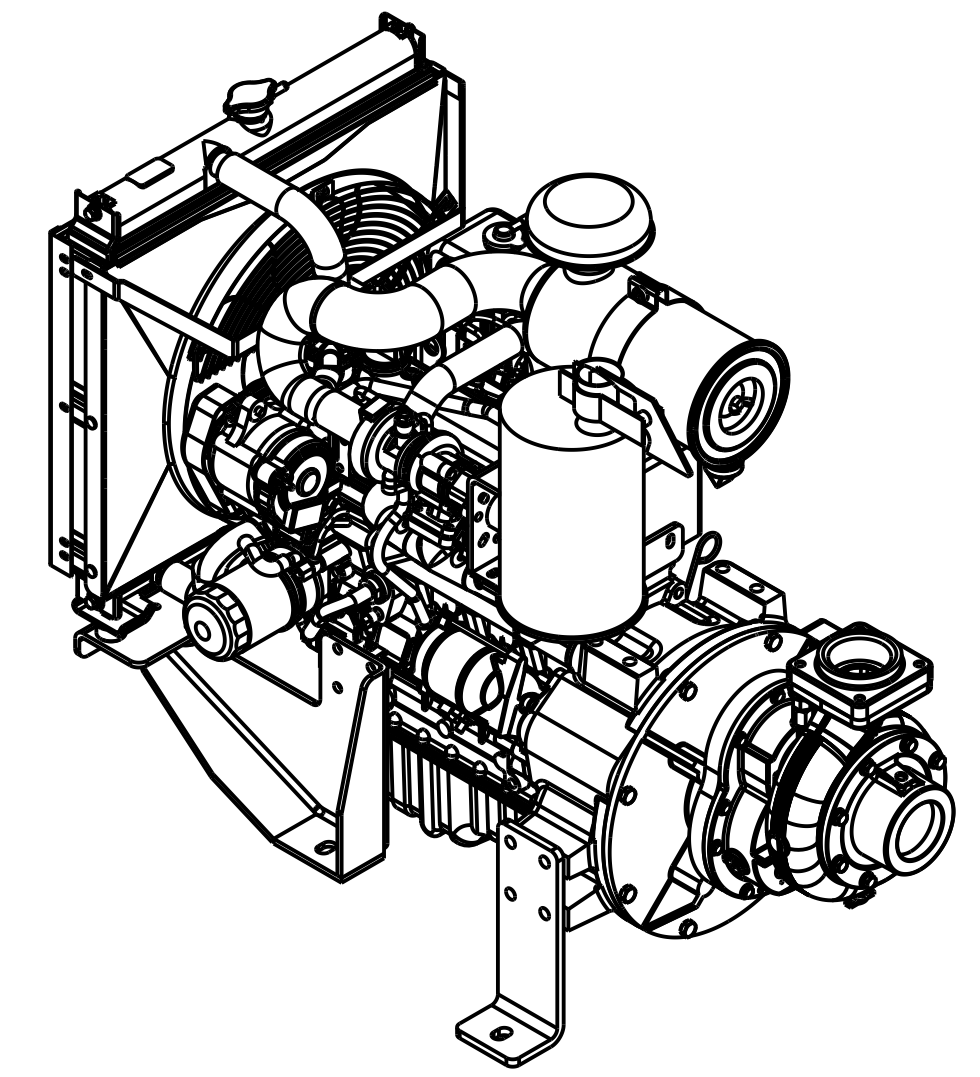
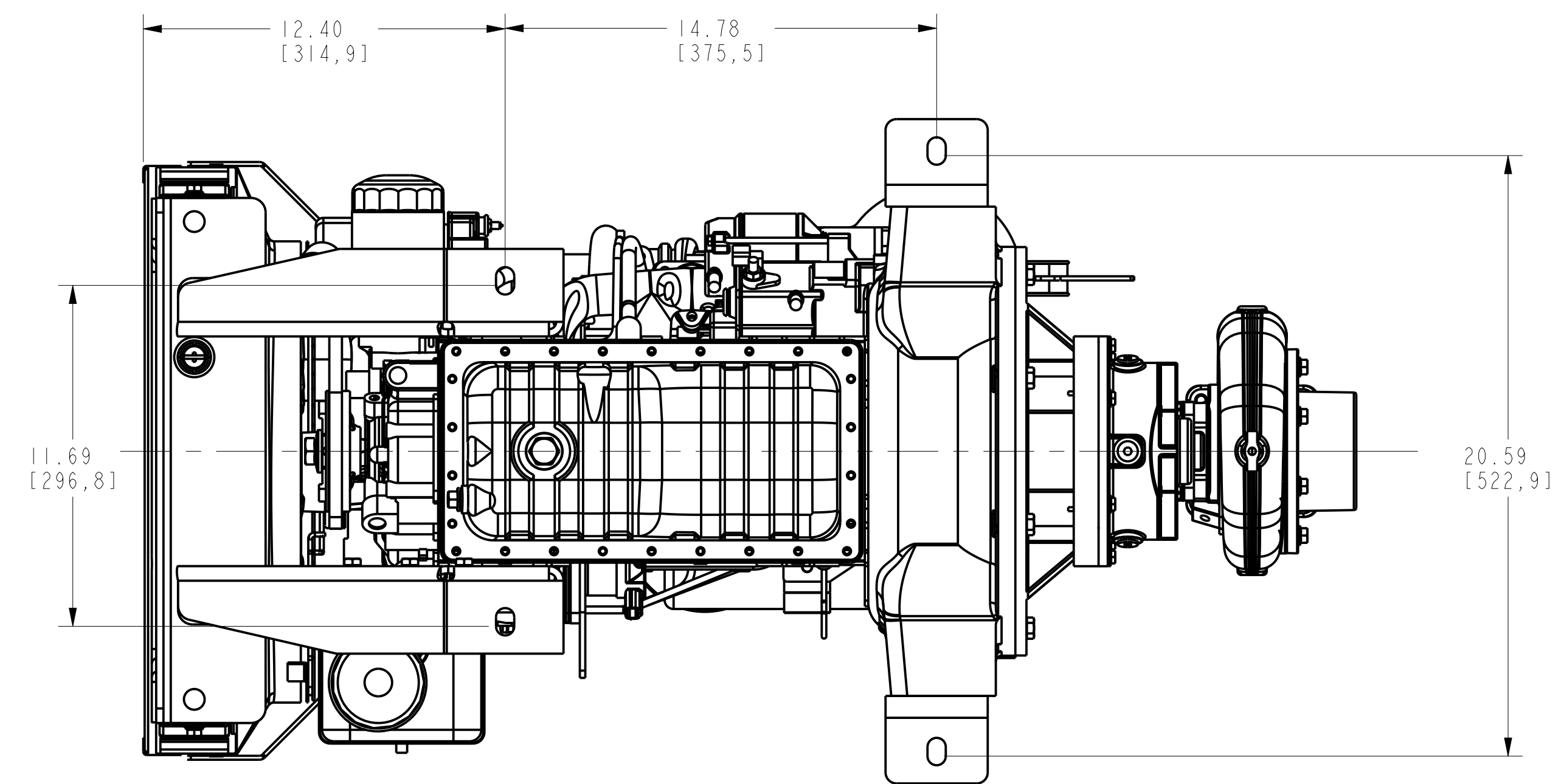
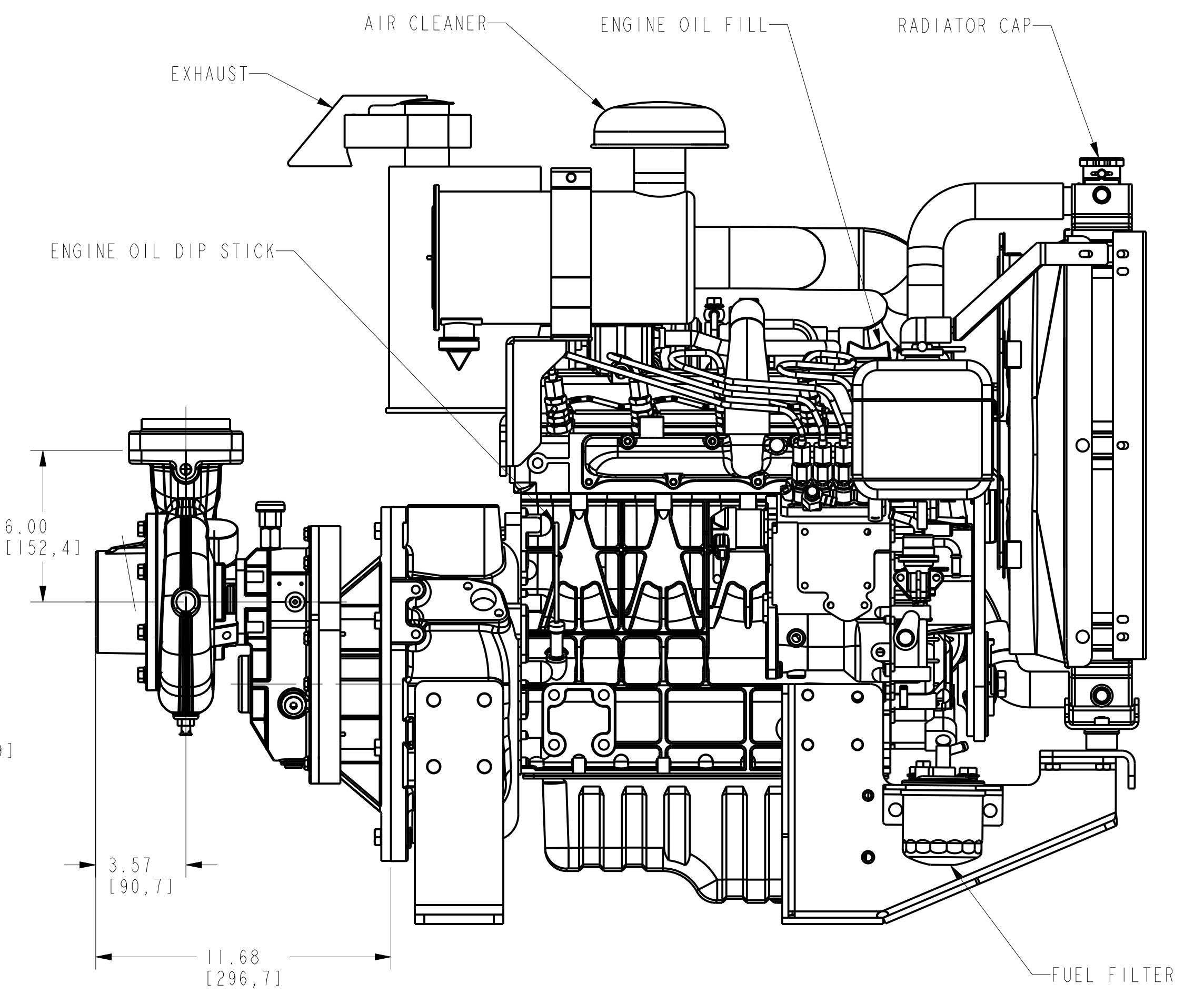
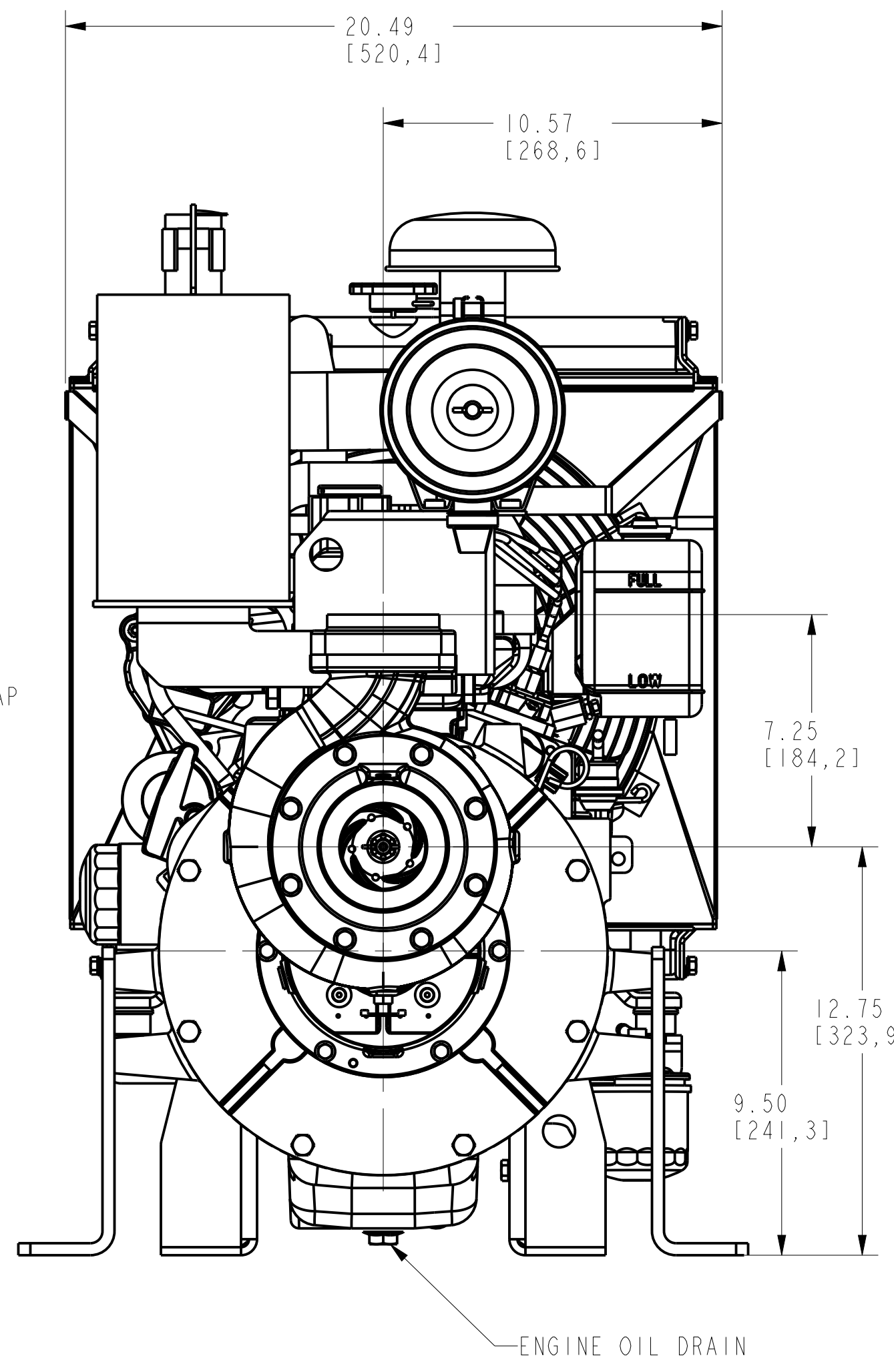
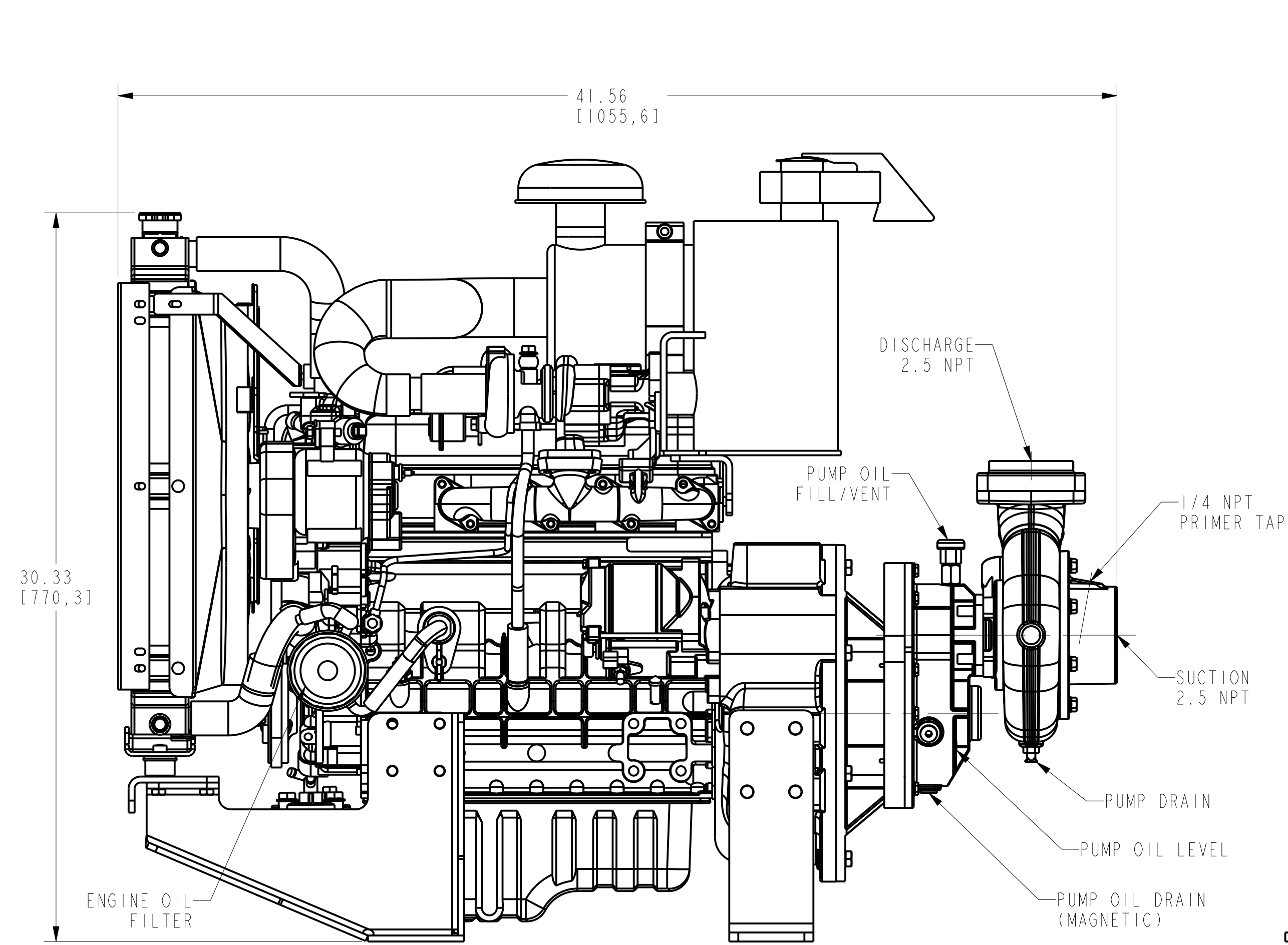


REVISIONS				
LTR	DESCRIPTION	DATE	CHG NO.	APPR'D



SCALE 1/8

WEIGHT: 523 LBS [237 KG]

REMOVE SHARP EDGES		INCH (MILLIMETER)	OLD PART NO.	TOLERANCE EXCEPT AS NOTED	W.S. Darley & Co. ITASCA, IL - CHIPPEWA FALLS, WI
MATERIAL DESCRIPTION:	MATERIAL NO.	PATTERN NO.	DR'N TFD	DATE 31-Dec-13	DWG - 2.5AGE42K
THIS DESIGN IS THE PROPERTY OF W.S. DARLEY AND CO. - UNAUTHORIZED REPRODUCTION IS PROHIBITED		ALL DIMENSIONS IN INCHES UNLESS NOTED	DO NOT SCALE PRINT	SCALE 1/4	DAD2309