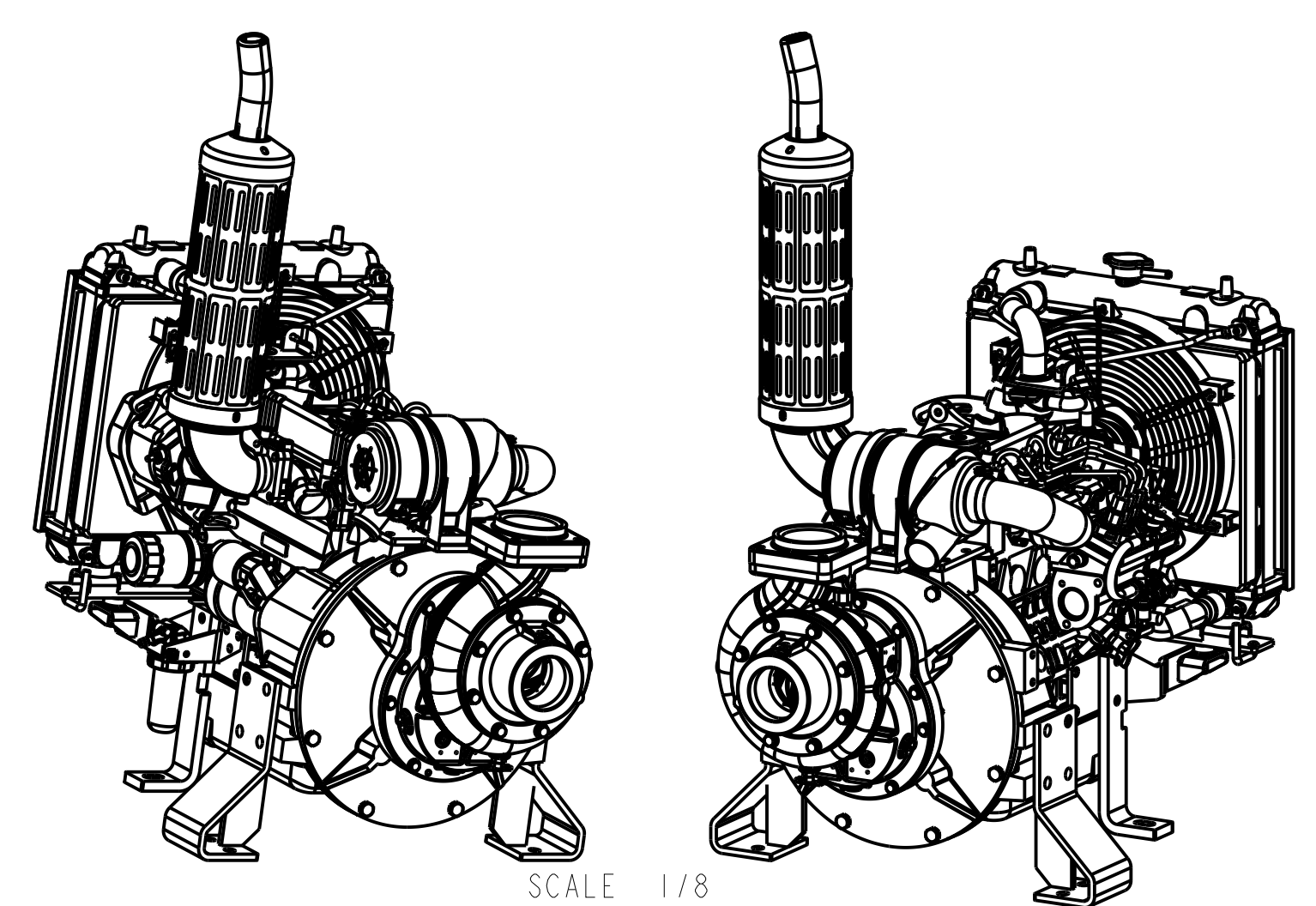
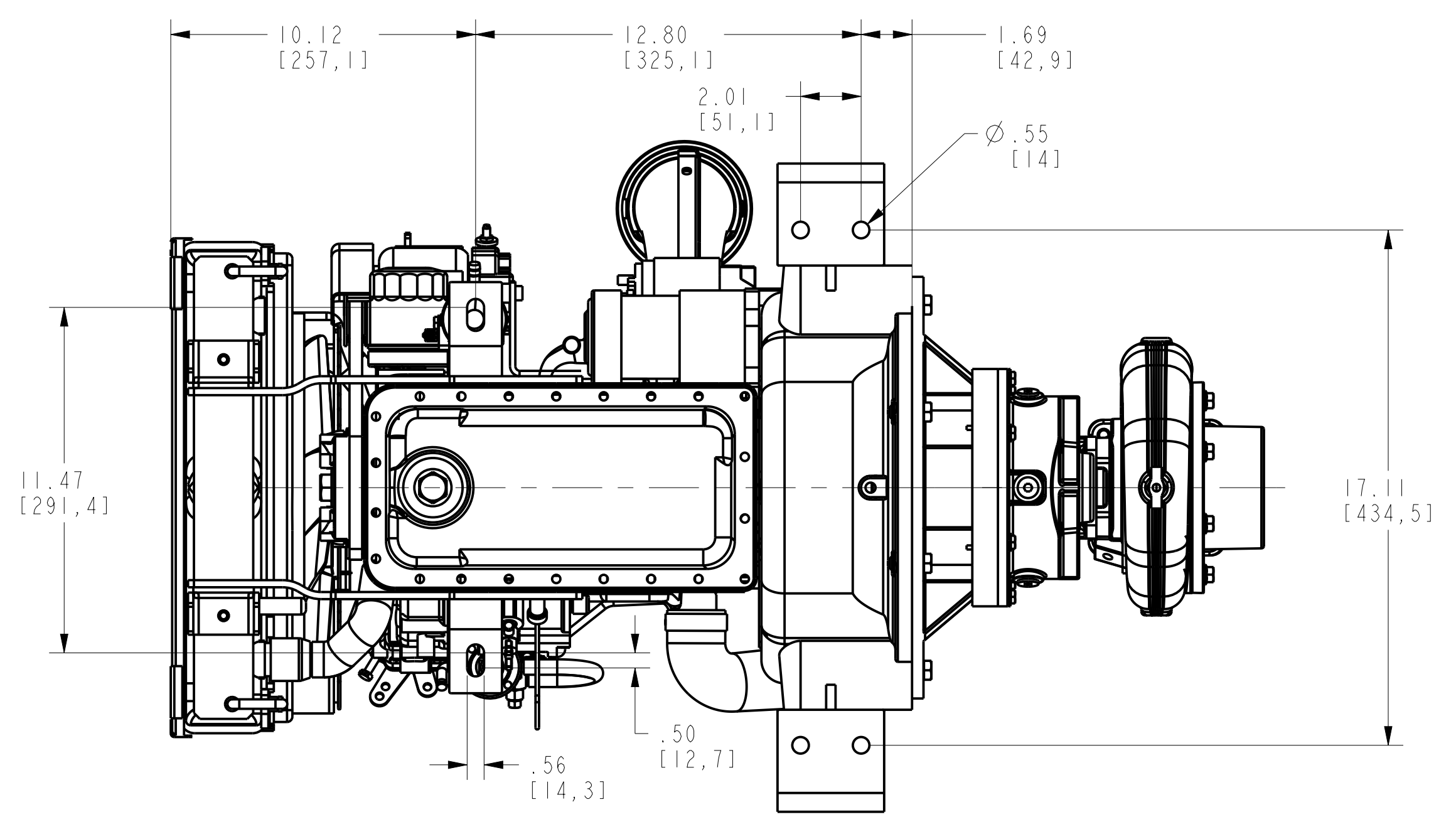
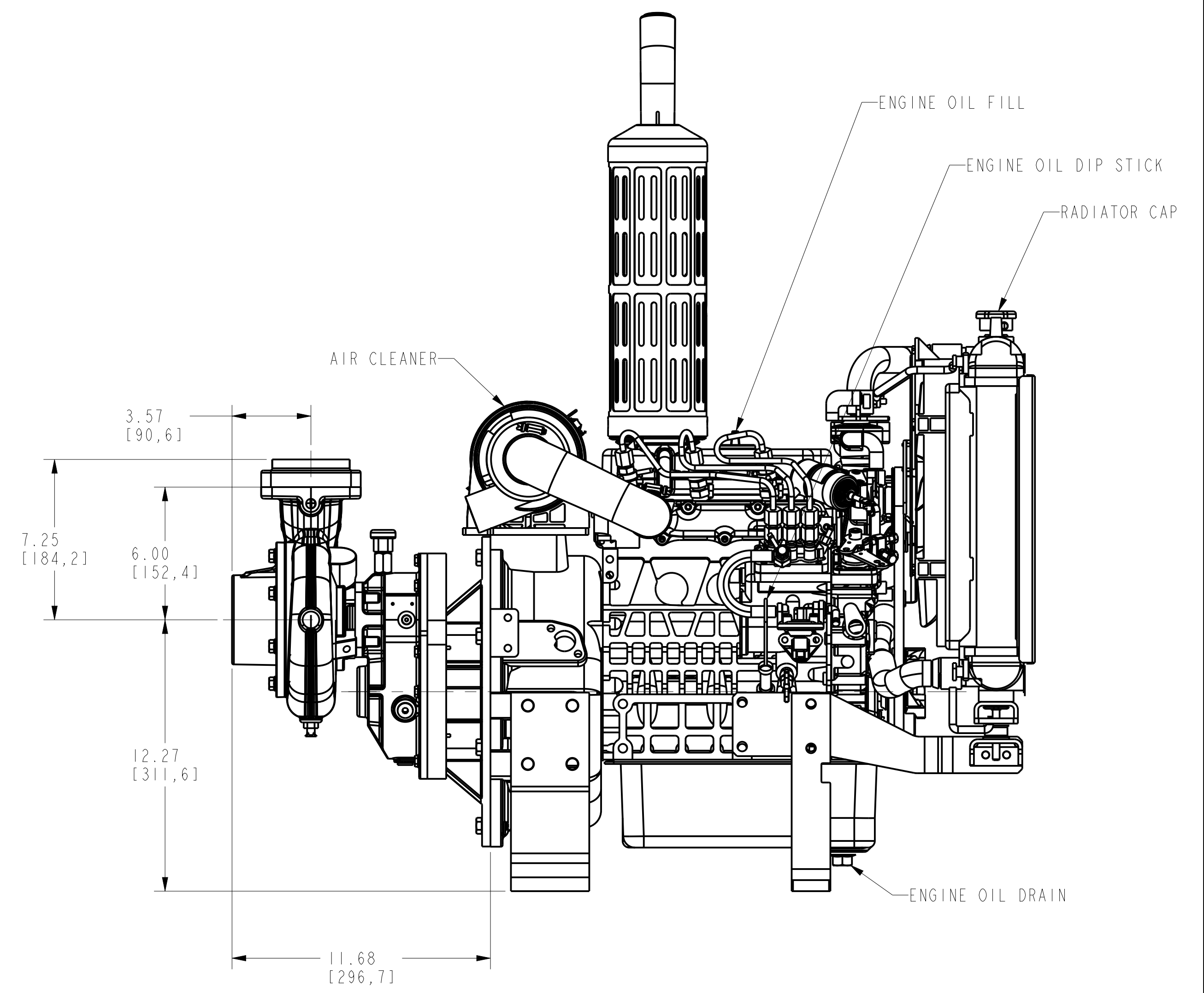
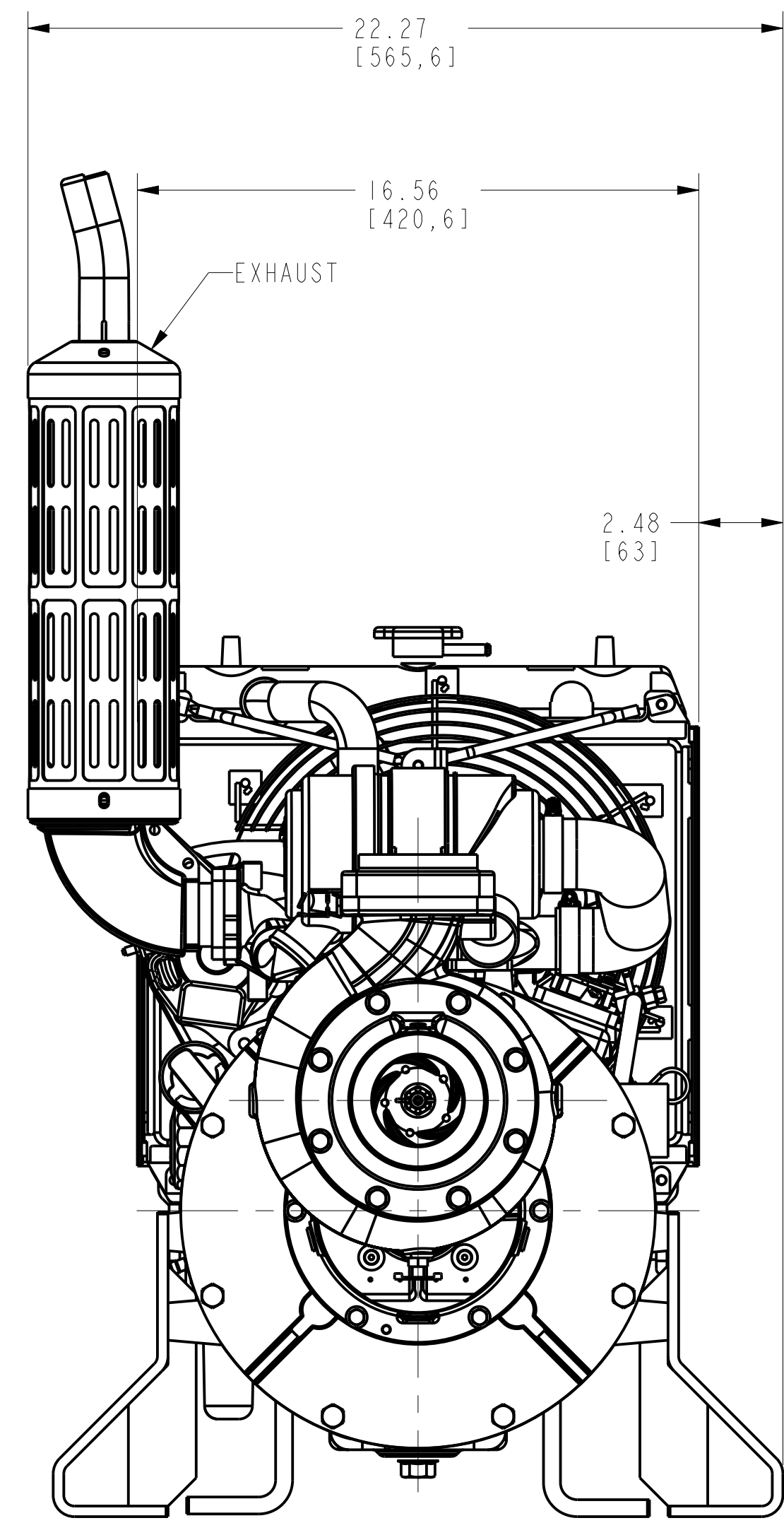
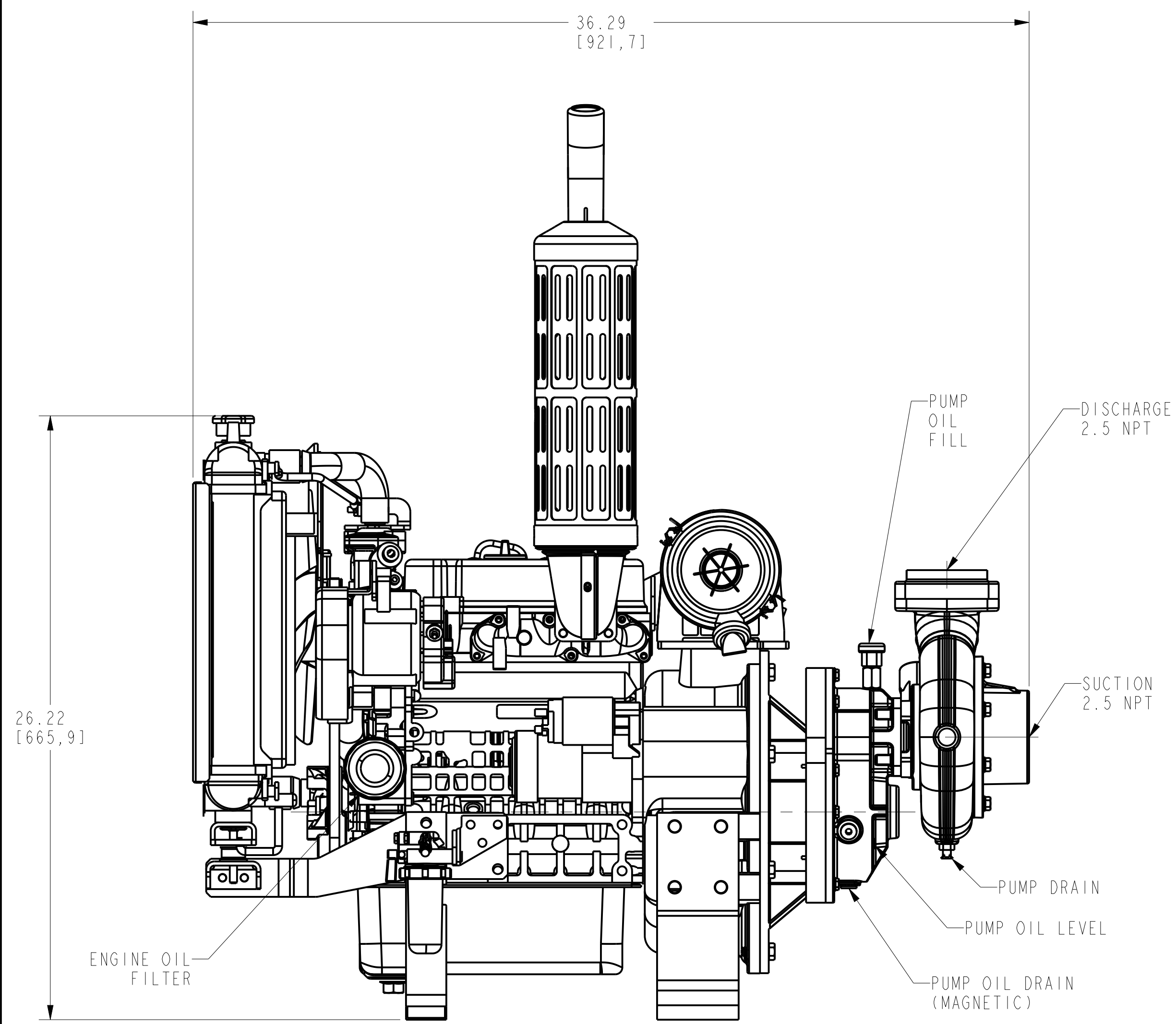


| REVISIONS | | | | |
|-----------|-------------|------|---------|--------|
| LTR | DESCRIPTION | DATE | CHG NO. | APPR'D |
| | | | | |



WEIGHT: 381 LBS [173 KG]

REMOVE SHARP EDGES

INCH (MILLIMETER)

OLD PART NO.

TOLERANCE EXCEPT AS NOTED

W.S. Darley & Co. CHIPPewa FALLS, WI

MATERIAL DESCRIPTION:

MATERIAL NO. PATTERN NO.

00 ±.03 .000 ±.010 ANGLES #17

DWG - 2.5AGE24K KUBOTA

THIS DESIGN IS THE PROPERTY OF W.S. DARLEY AND CO. - UNAUTHORIZED REPRODUCTION IS PROHIBITED

ALL DIMENSIONS IN INCHES UNLESS NOTED

DR'N TED CHWD MBE TRCD

DATE 14-Feb-13 SCALE 1/4 DAD2305

MODEL NAME: DAD2305 MDL CREATED: 14FEB2013 SHEET: 1/1 D