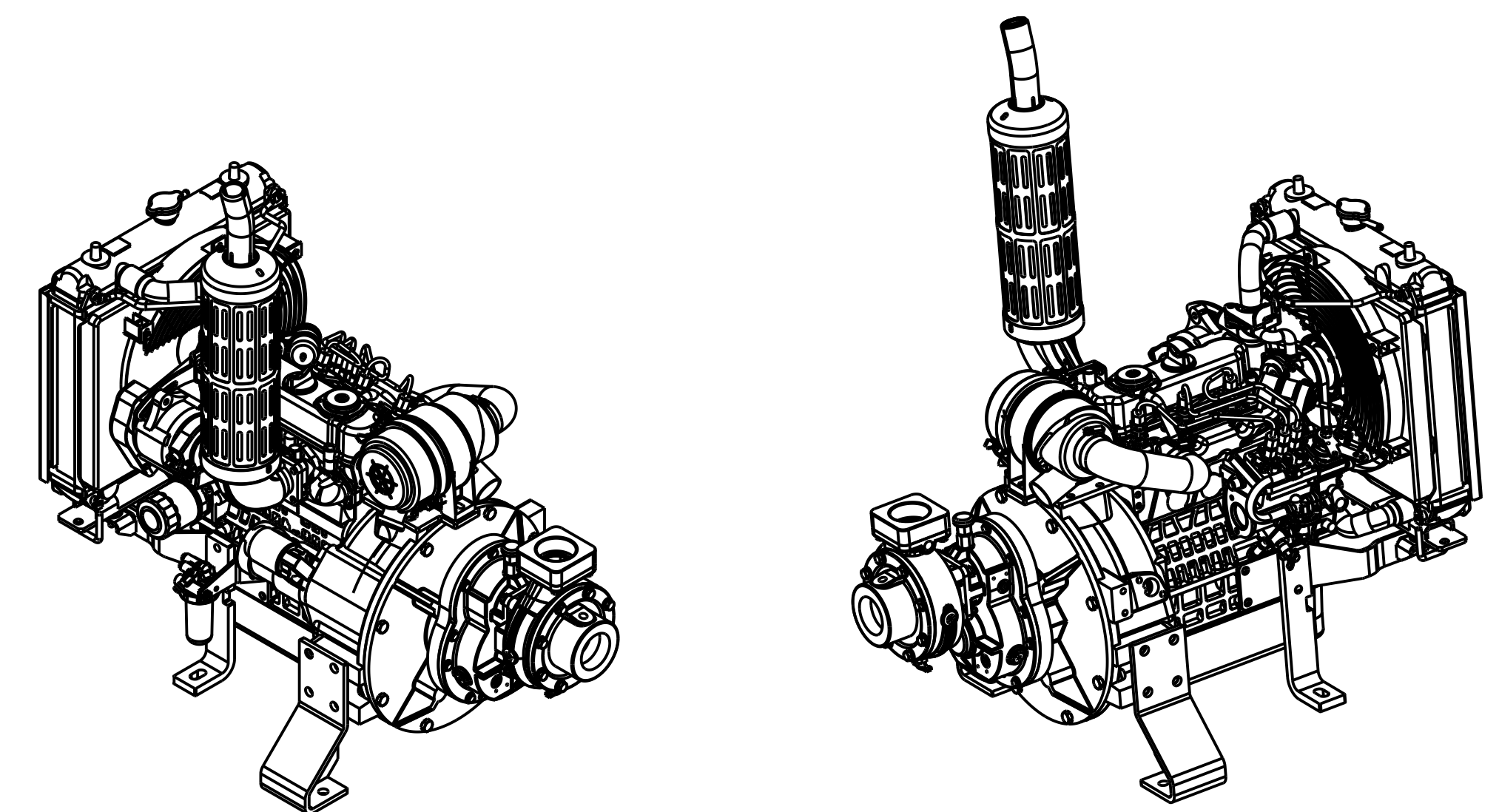
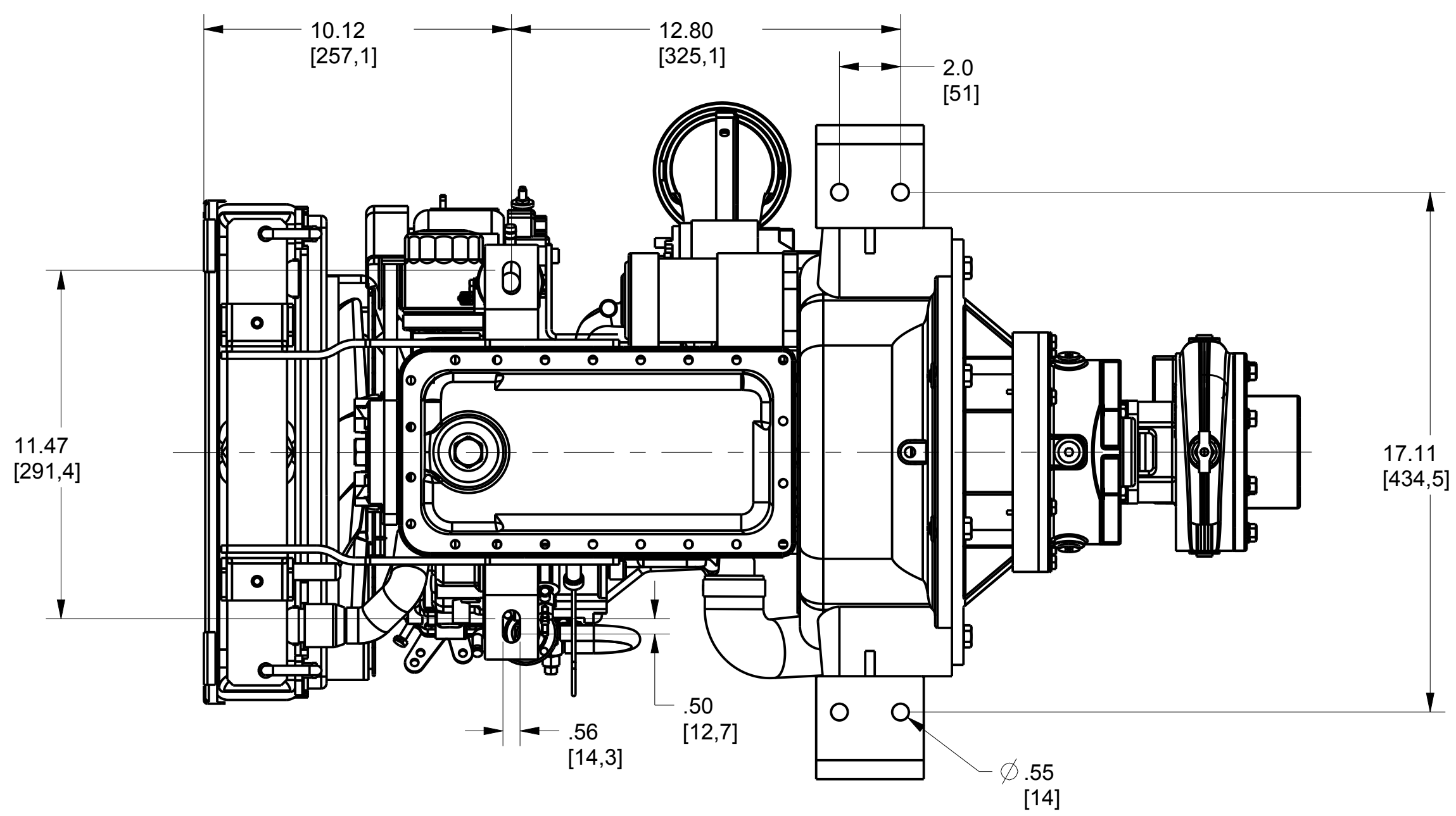
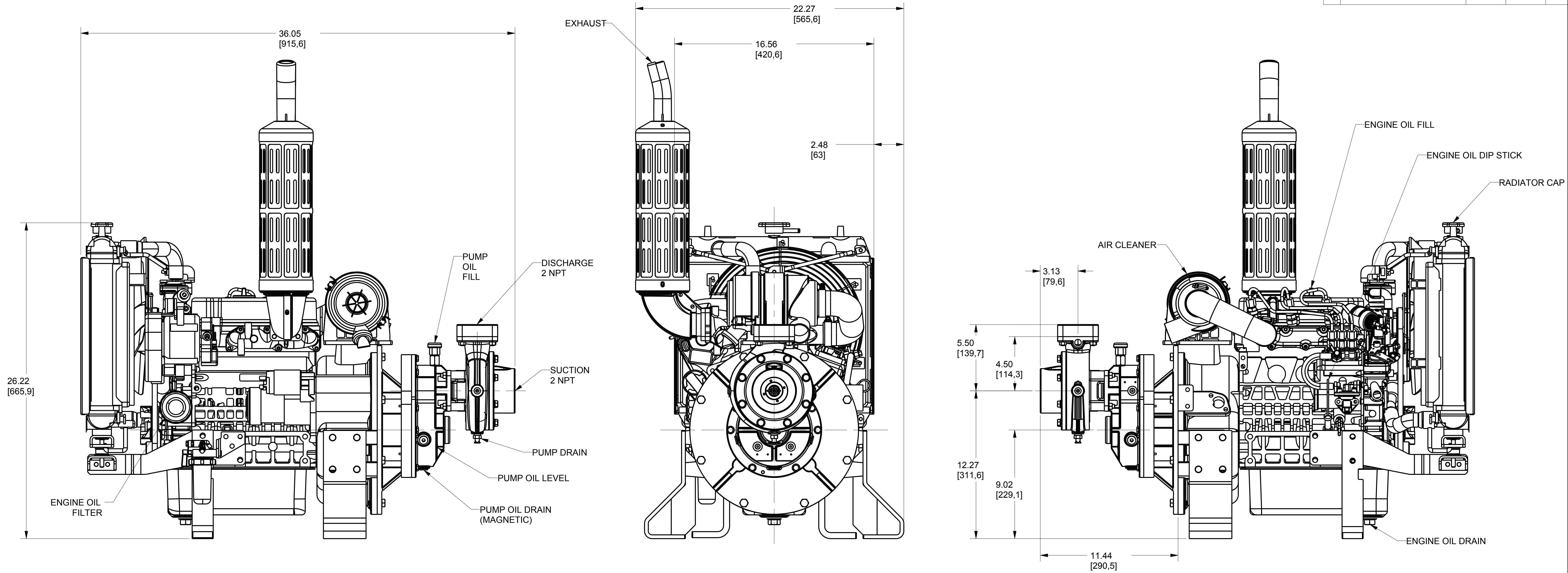


REVISIONS				
LTR	DESCRIPTION	DATE	CHG NO.	APPRD



WEIGHT: 371 LBS [168 KG]

SCALE 1/8

REMOVE SHARP EDGES		INCH [MILLIMETER]		OLD PART NO.		TOLERANCE EXCEPT AS NOTED		W.S. Darley & Co. ITASCA, IL - CHIPPEWA FALLS, WI	
MATERIAL DESCRIPTION:		MATERIAL NO.		PATTERN NO.		.00 ±.03 .000 ±.010 ANGLES ±.1°		DWG - 1.5AGE24K KUBOTA	
THIS DESIGN IS THE PROPERTY OF W.S. DARLEY AND CO. - UNAUTHORIZED REPRODUCTION IS PROHIBITED		ALL DIMENSIONS IN INCHES UNLESS NOTED		DO NOT SCALE PRINT		DRN TED CHKD KMD TRCD		DATE 23-Apr-12 SCALE 1/4	
		TED0440/PA00272						DAD2303	

MODEL NAME: DAD2303, MKL CREATED: 23APRIL2012, SHEET: 1/1, D