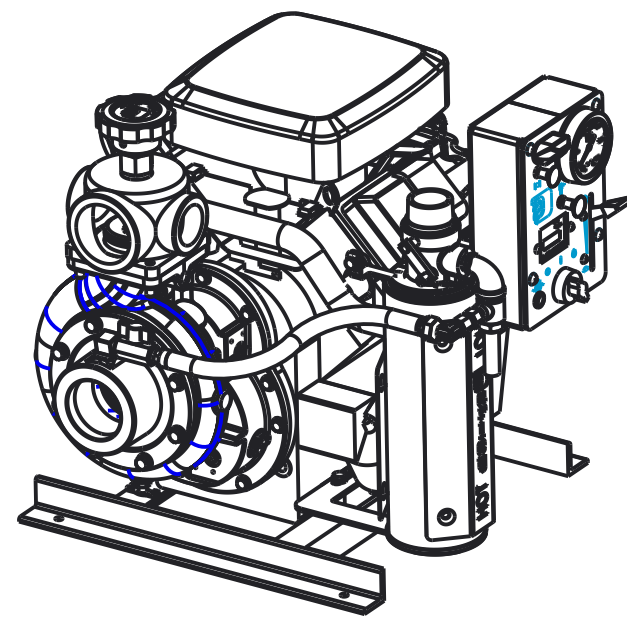
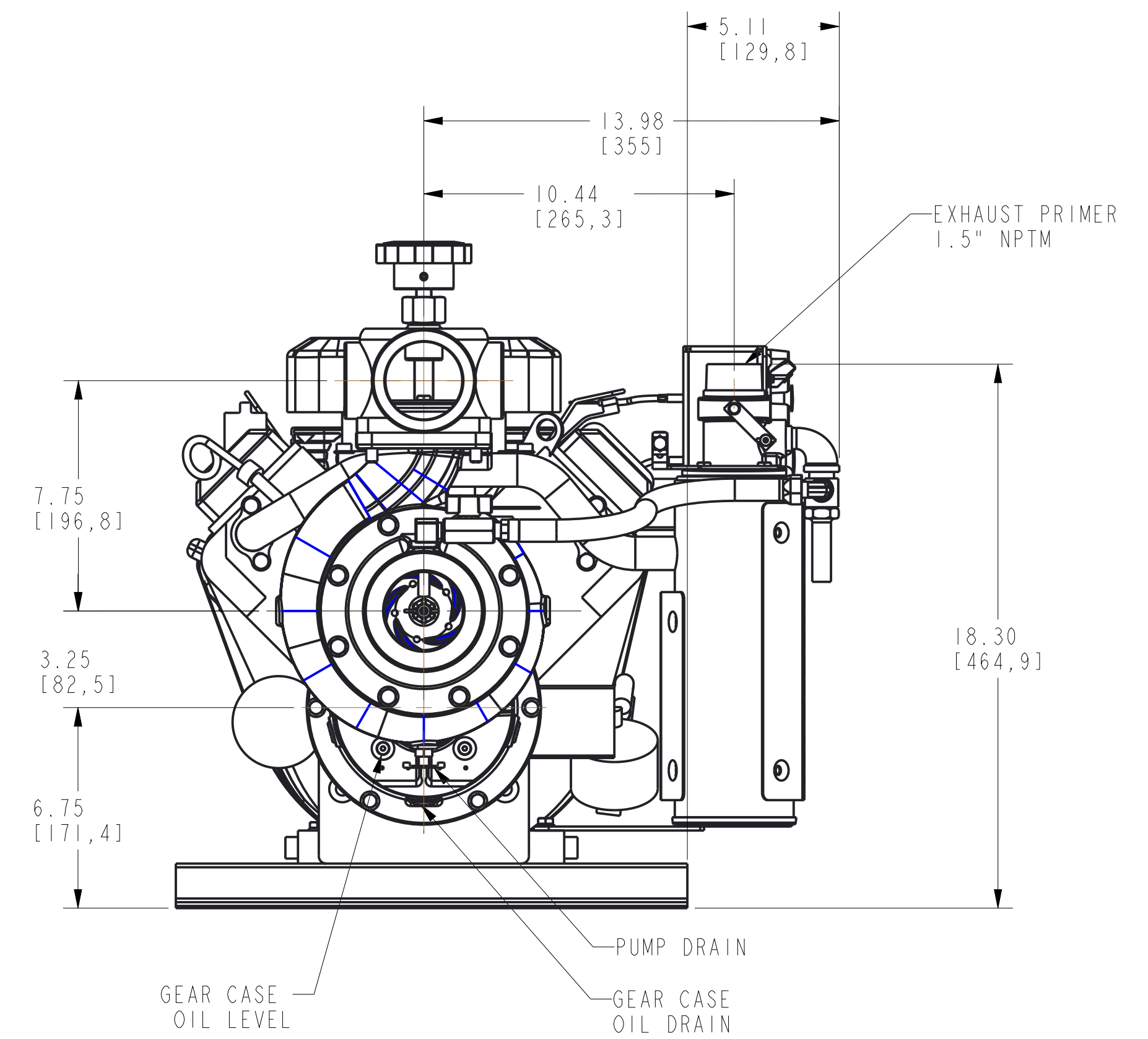
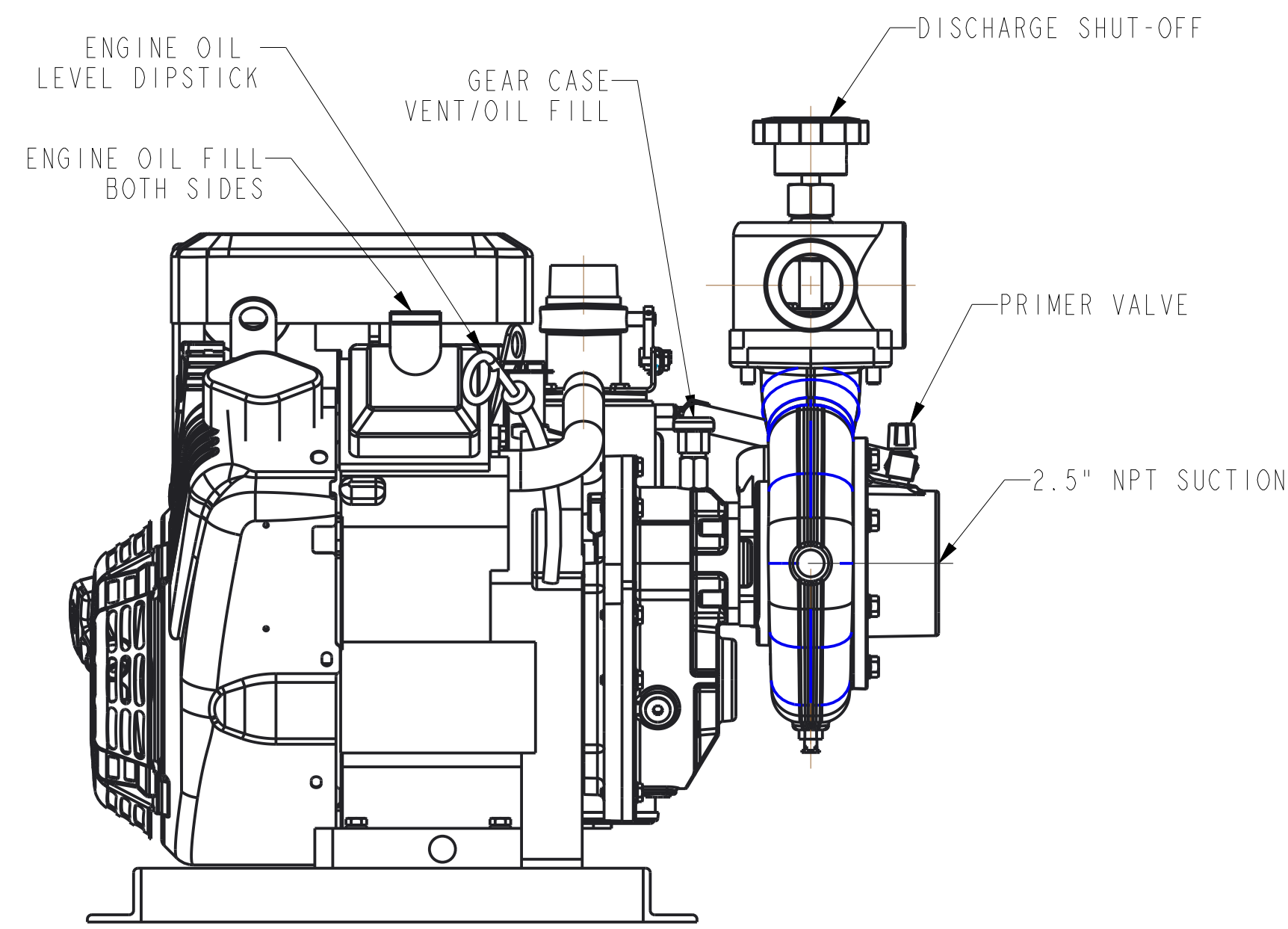
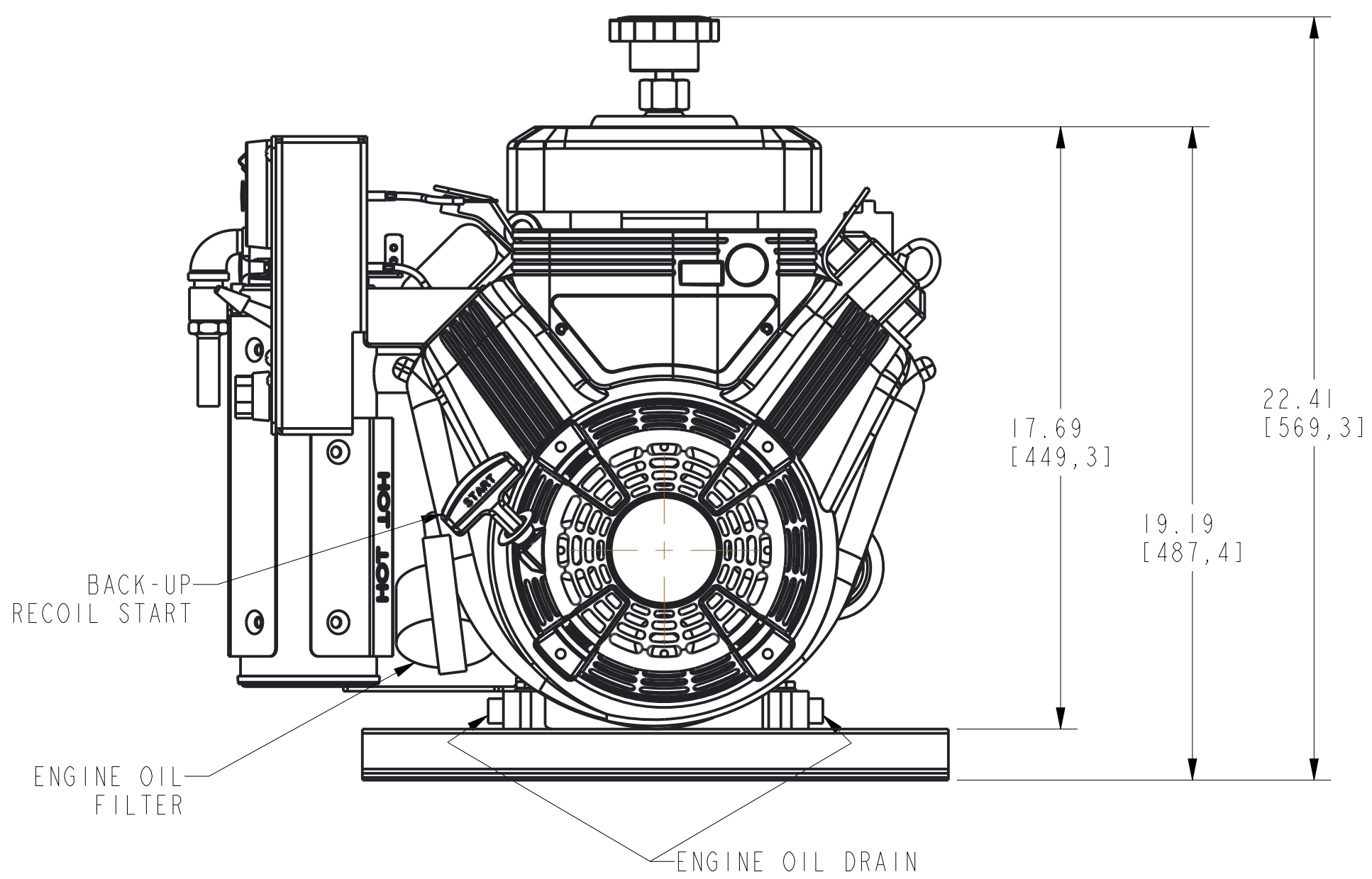
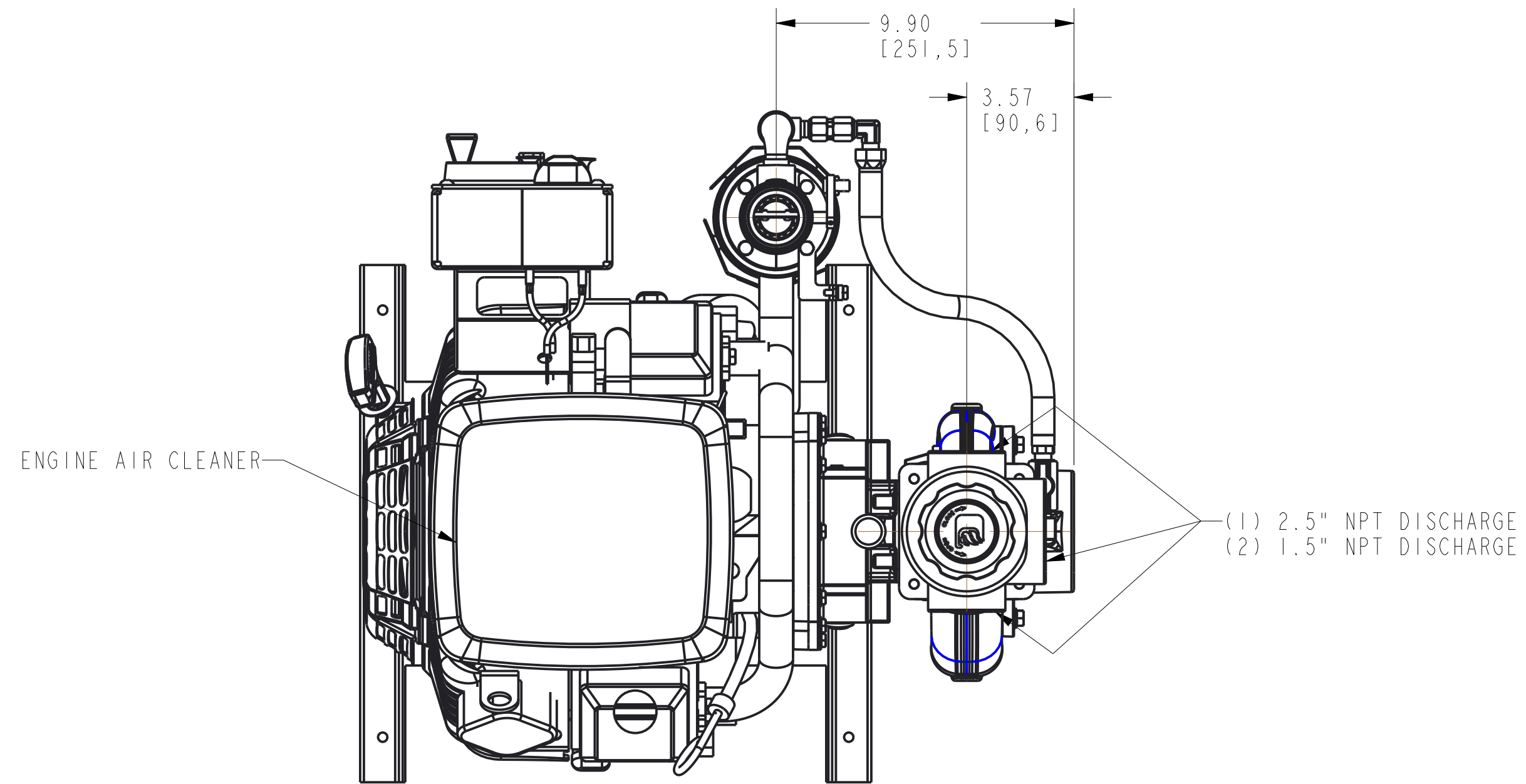


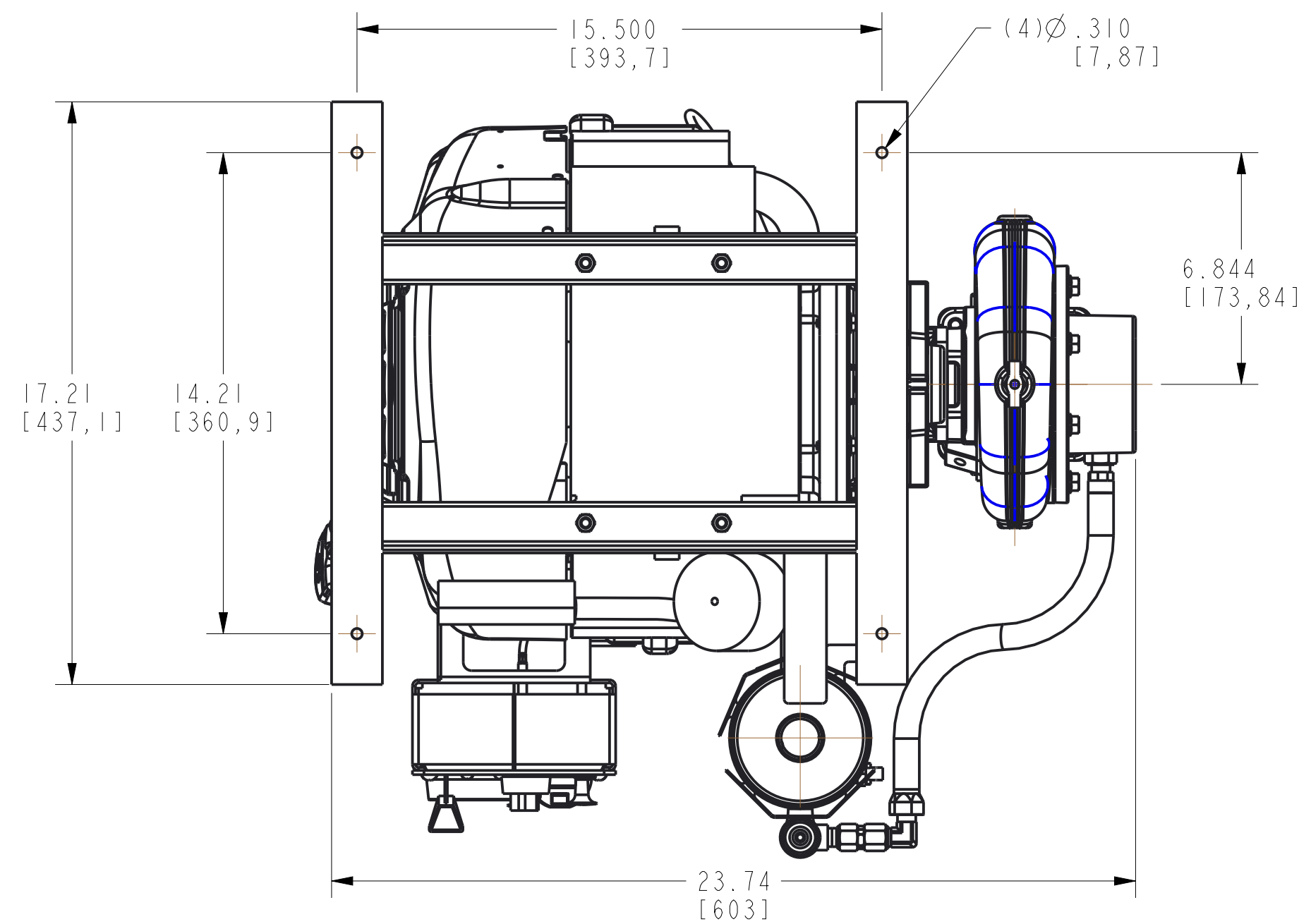
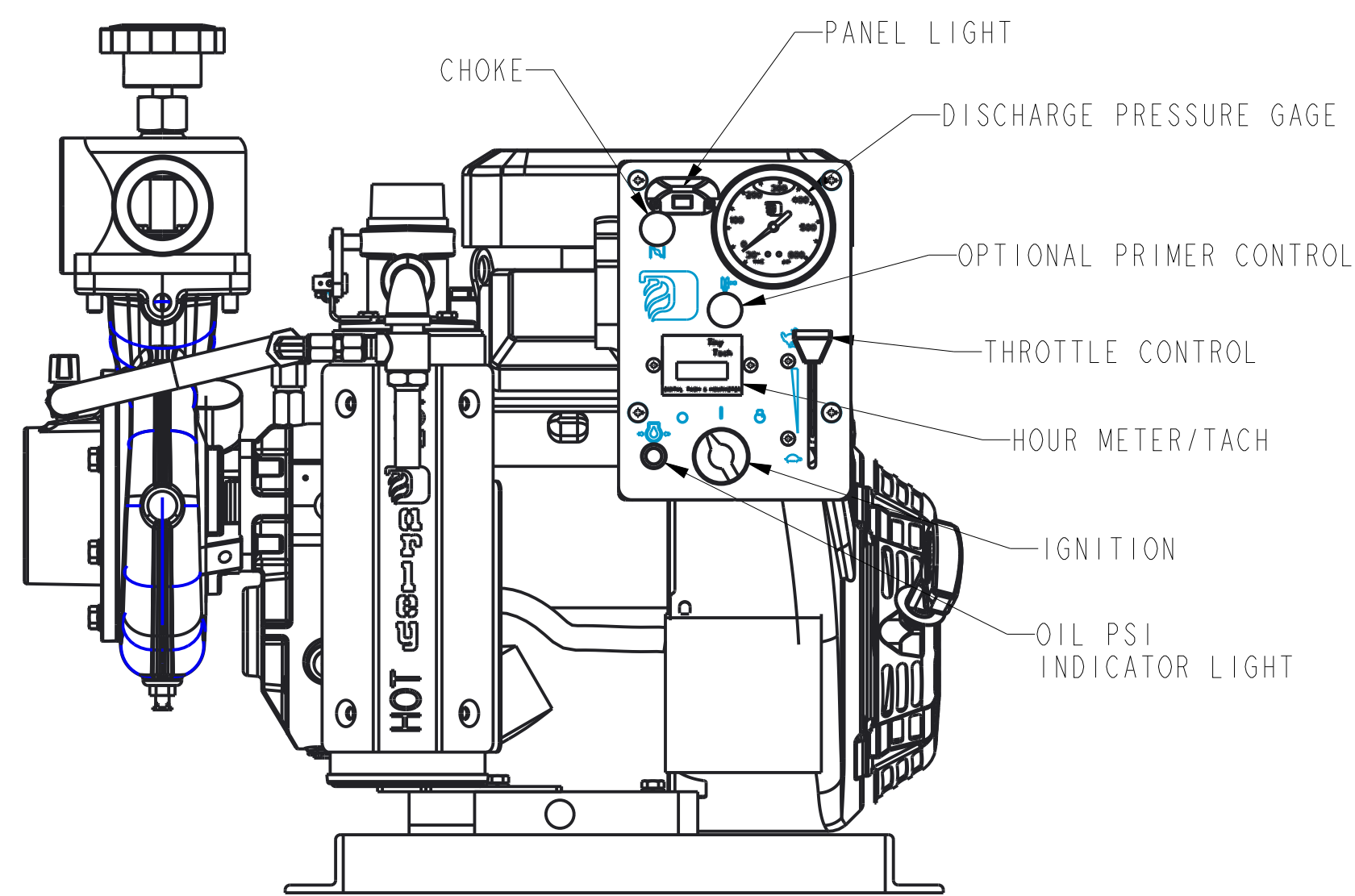
REVISIONS				
LTR	DESCRIPTION	DATE	CHG NO.	APPR'D



SCALE 1/8



APPROXIMATE WEIGHT: 190 LBS [89 KG]



REMOVE SHARP EDGES		INCH [MILLIMETER]		TOLERANCE EXCEPT AS NOTED 0.00 ± 0.03 0.000 ± 0.010 ANGLES ± 1°		OLD PART NO.		DATE 20-MAR-14		SCALE 1/4	
MATERIAL DESCRIPTION: THIS DESIGN IS THE PROPERTY OF W.S. DARLEY AND CO. - UNAUTHORIZED REPRODUCTION IS PROHIBITED.				MATERIAL NO.		PATTERN NO.		DWG - 2.5AGE, 23HP VANGAURD SKID		DAD1609	
W.S. Darley & Co. ITASCA, IL - CHIPPEWA FALLS, WI				DR: N SMS		CHKD: TED		TRCD:		SHEET 1/1	