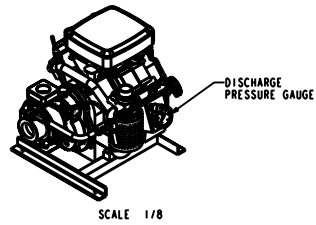
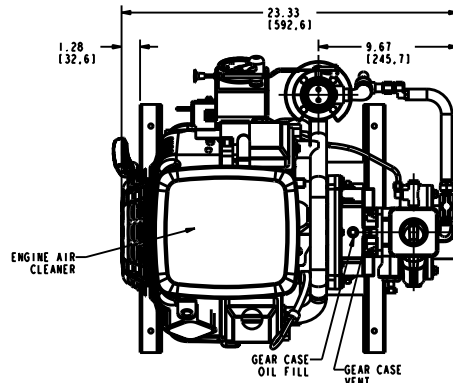


NAME:ME OBJECT:DAD1603 DATE:10-Aug-07 14:05:53

REVISIONS			
LTB	DESCRIPTION	DATE	ENG. NO. APPROV.

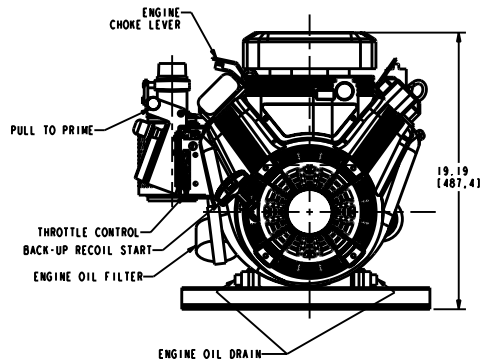


SCALE 1/8

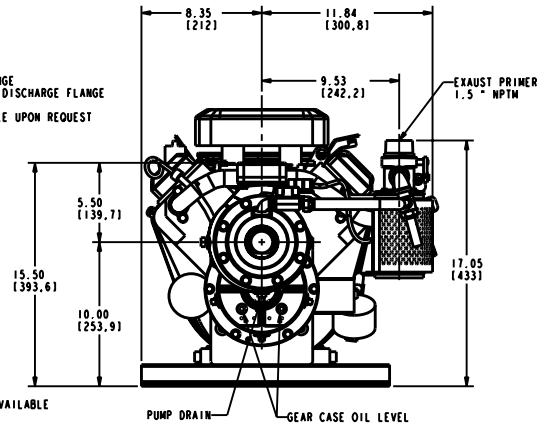
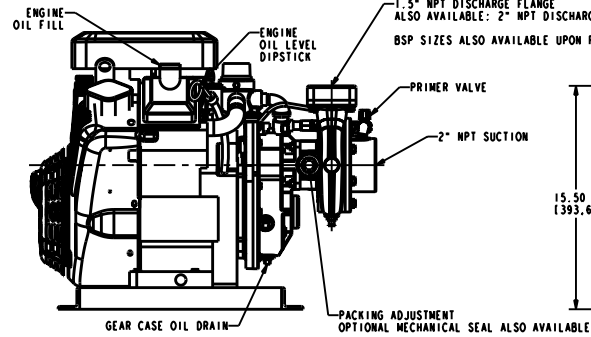


ENGINE AIR CLEANER

GEAR CASE OIL FILL GEAR CASE VENT

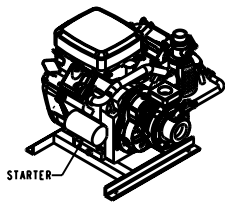


ENGINE OIL DRAIN

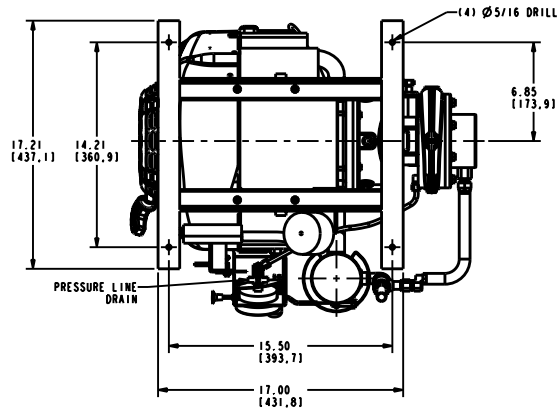


PUMP DRAIN

GEAR CASE OIL LEVEL



SCALE 1/8



PRESSURE LINE DRAIN

APPROXIMATE WEIGHT 180 LBS (82 KG)

REMOVE SHARP EDGES	1 INCH (25.4 MILLIMETER)	OLD PART NO.	TOLERANCE	DATE 22-May-07	SCALE 1/8
THIS DRAWING IS THE PROPERTY OF W.S. DARTLEY & CO. UNAUTHORIZED REPRODUCTION IS PROHIBITED.	ALL DIMENSIONS IN INCHES UNLESS NOTED	DO NOT SCALE PRINT	DATE 22-May-07	SCALE 1/8	174
DAD1603 22MAR2007 171 B W.S. Dartley & Co. 11 SAGE 23 HP COOLER/CLEANER VANGUARD - DIMENSIONAL			DAD1603		