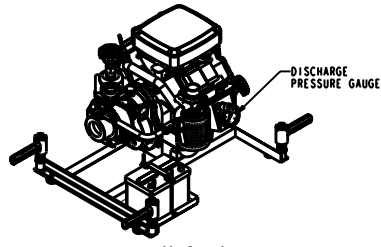
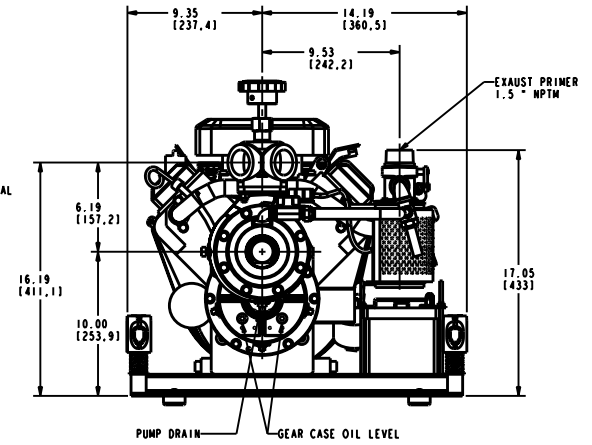
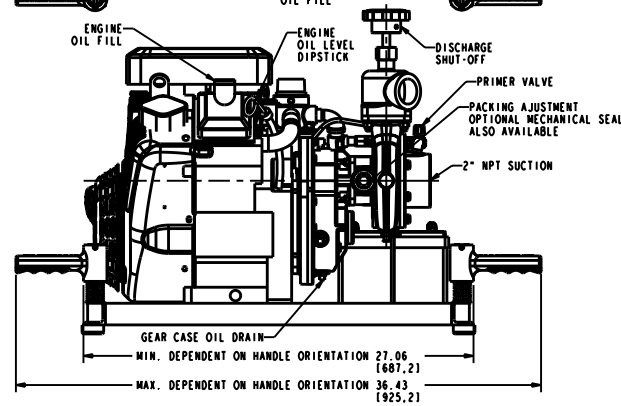
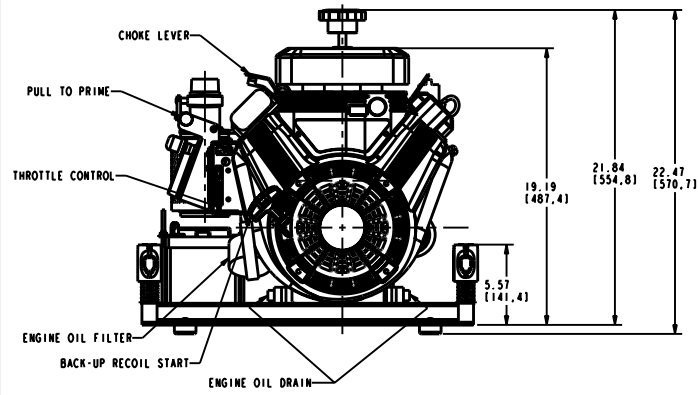
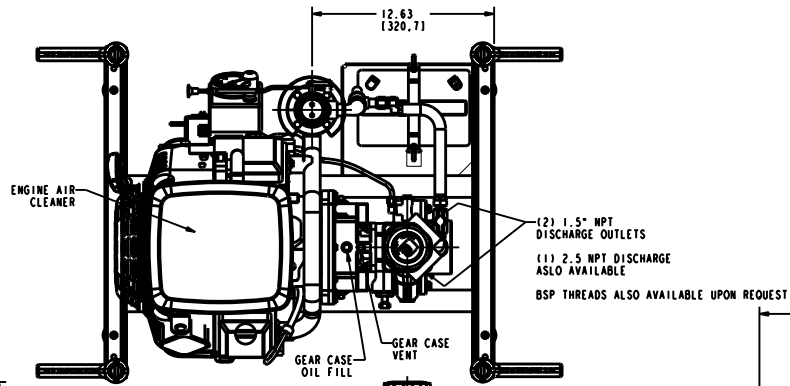


NAME:ME OBJECT:DAD1602 DATE:10-Aug-07 08:33:29

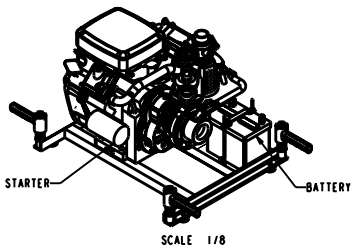
REVISIONS			
LTB	DESCRIPTION	DATE	ENG NO. APPR'D



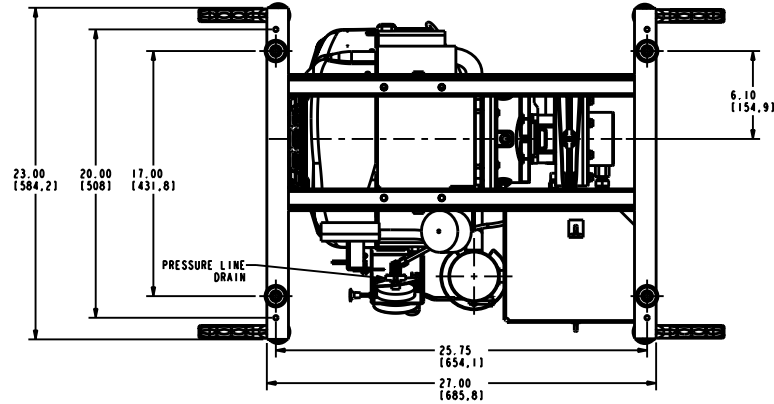
SCALE 1/8



APPROXIMATE WEIGHT: 180 LBS (82 KG)



SCALE 1/8



REMOVE SHARP EDGES

1 INCH (25.4 MILLIMETER)

OLD PART NO.

TOLERANCE UNLESS OTHERWISE SPECIFIED

MATERIAL DESCRIPTION

DATE 22-May-07

SCALE 1/8

DAD1602

THIS DRAWING IS THE PROPERTY OF W.S. DAWLEY AND CO. UNAUTHORIZED REPRODUCTION IS PROHIBITED.

ALL DIMENSIONS IN INCHES UNLESS NOTED

DO NOT SCALE PRINT

SCALE 1/8

DAD1602