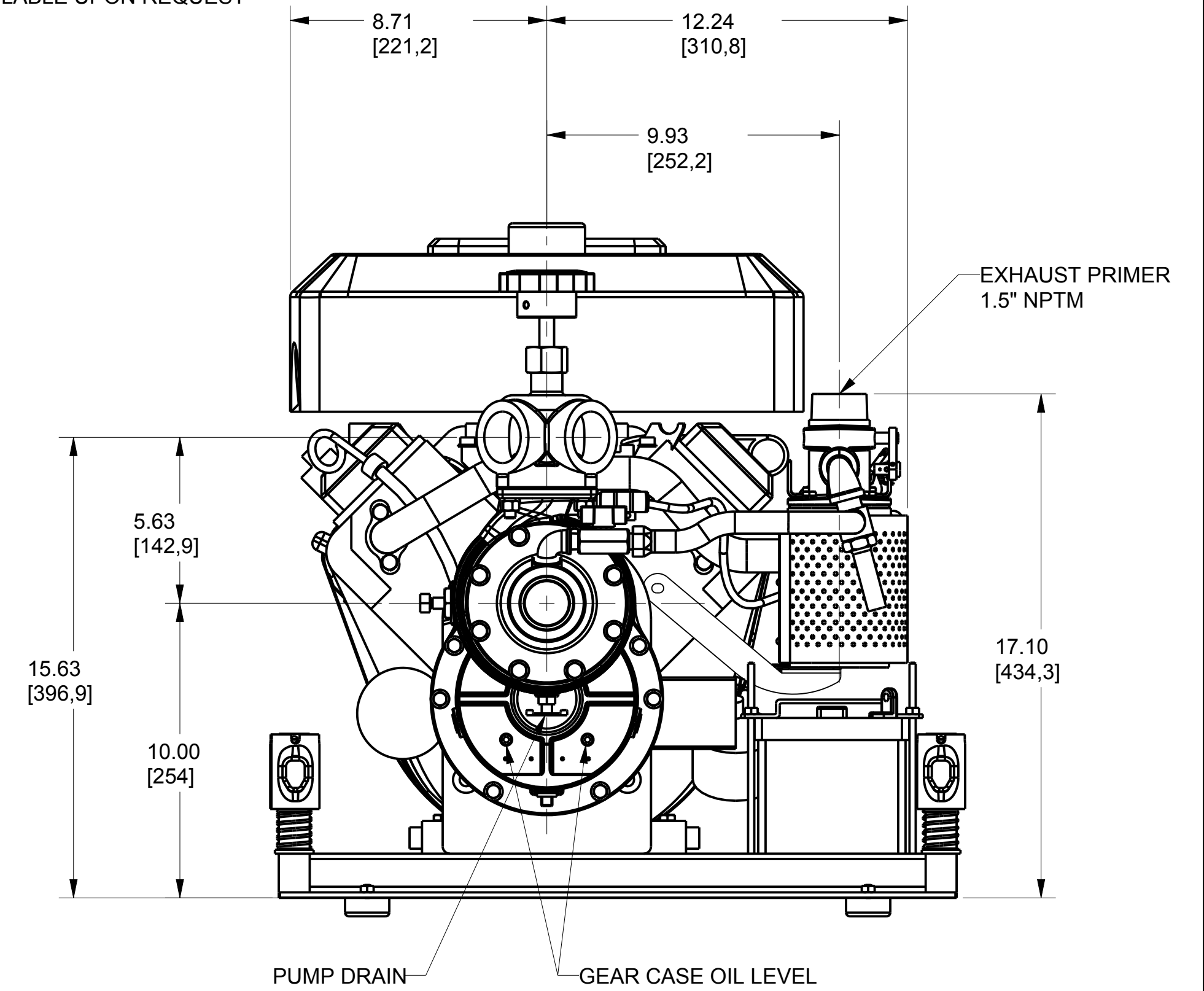
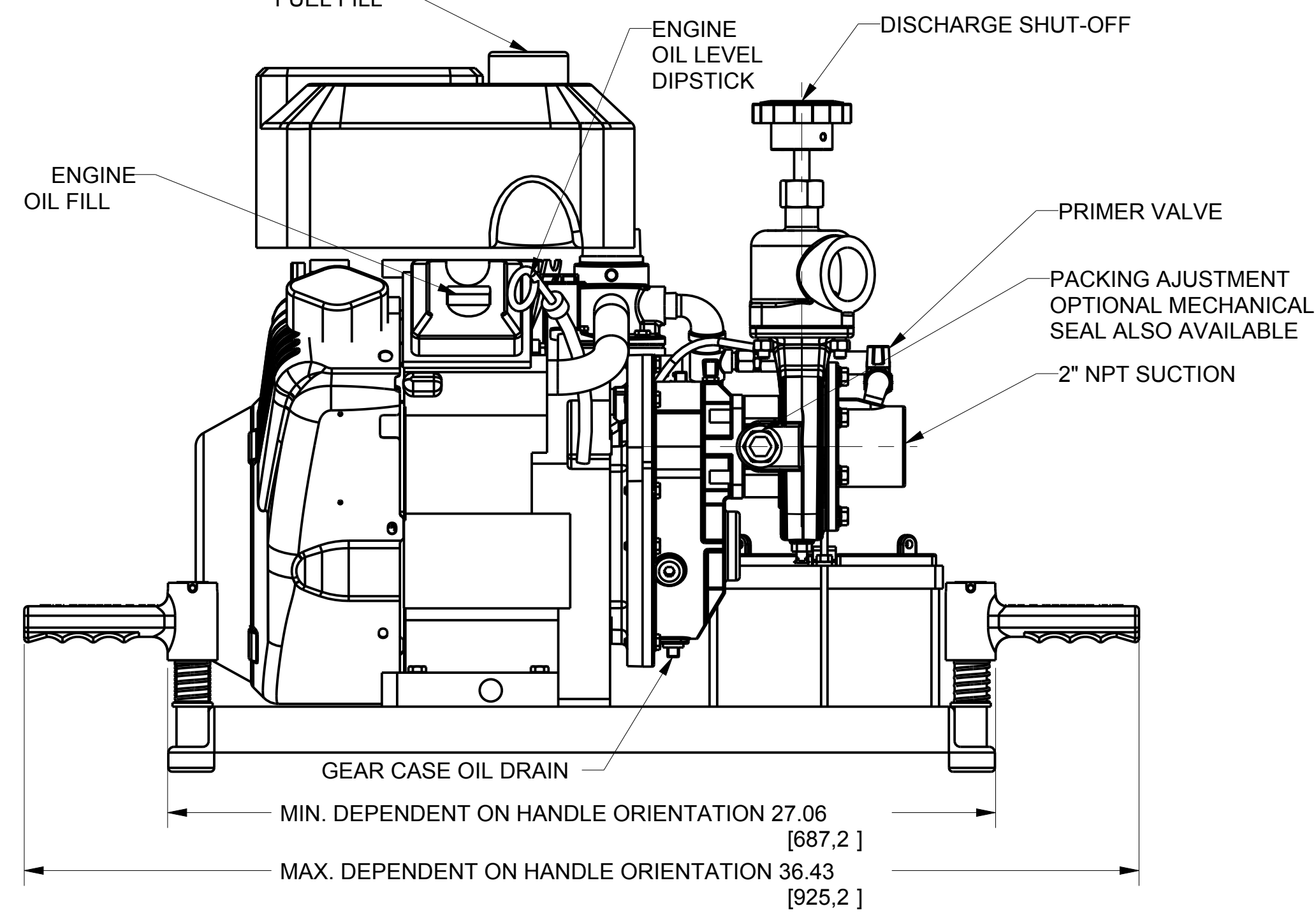
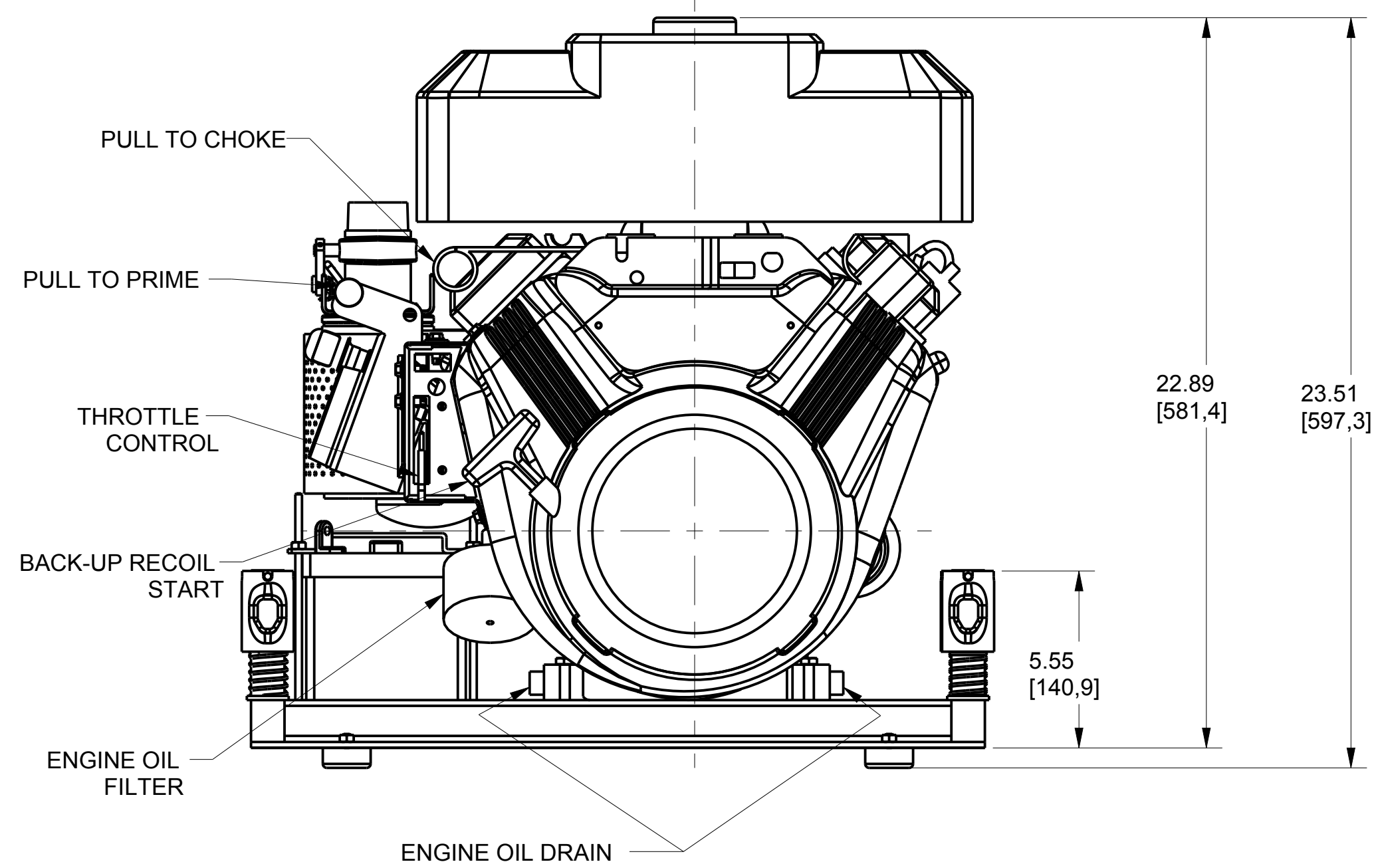
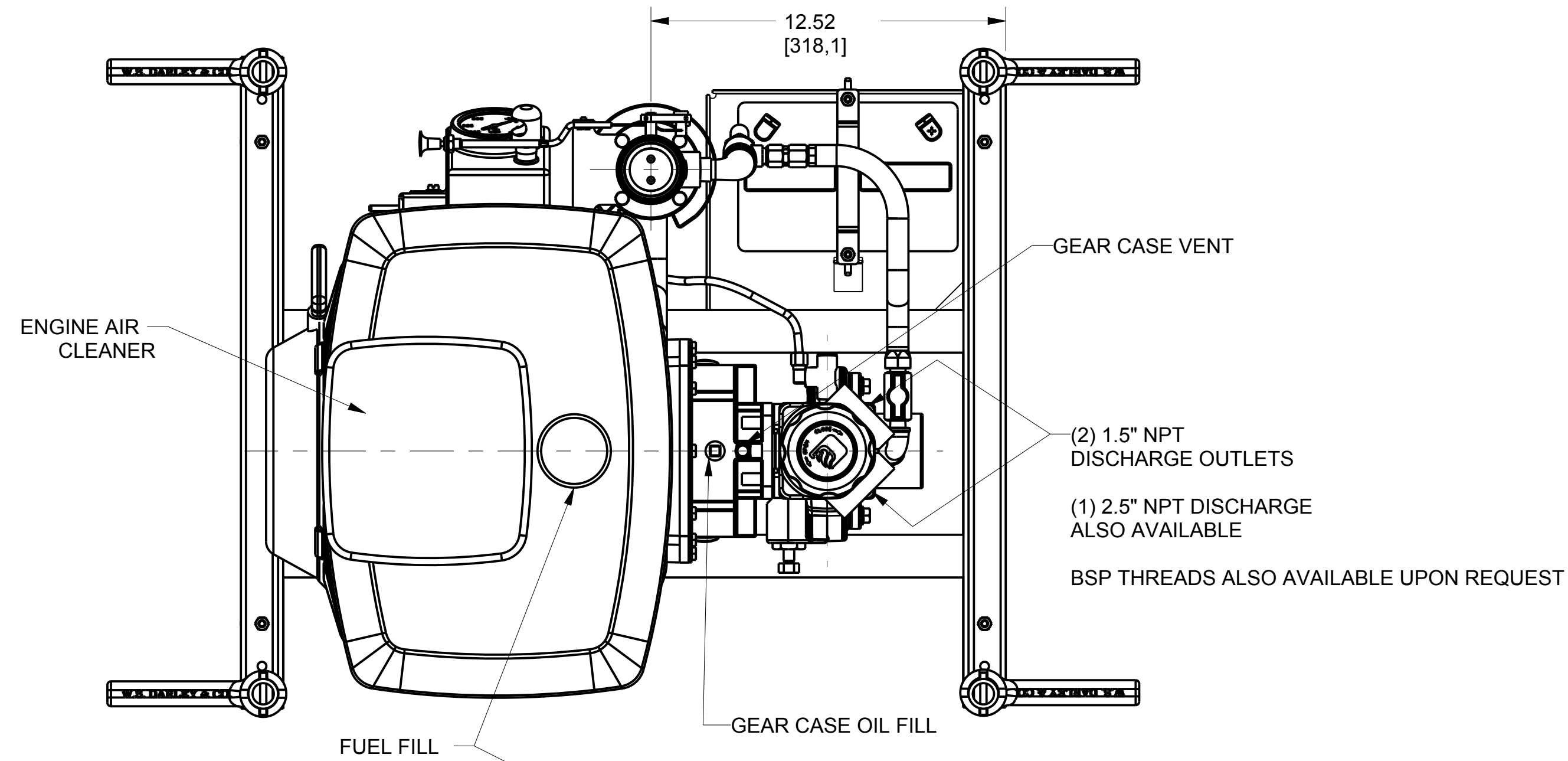
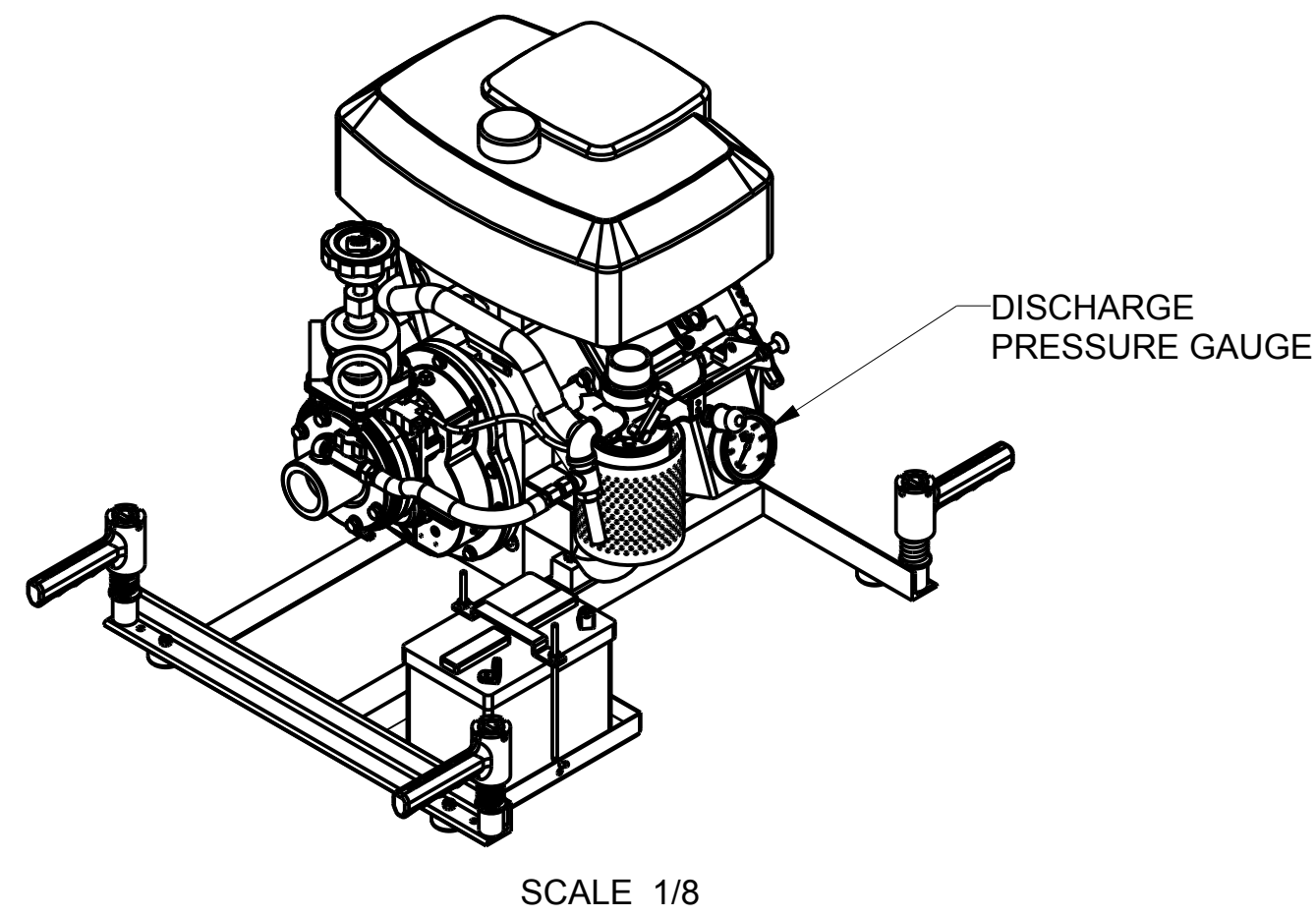
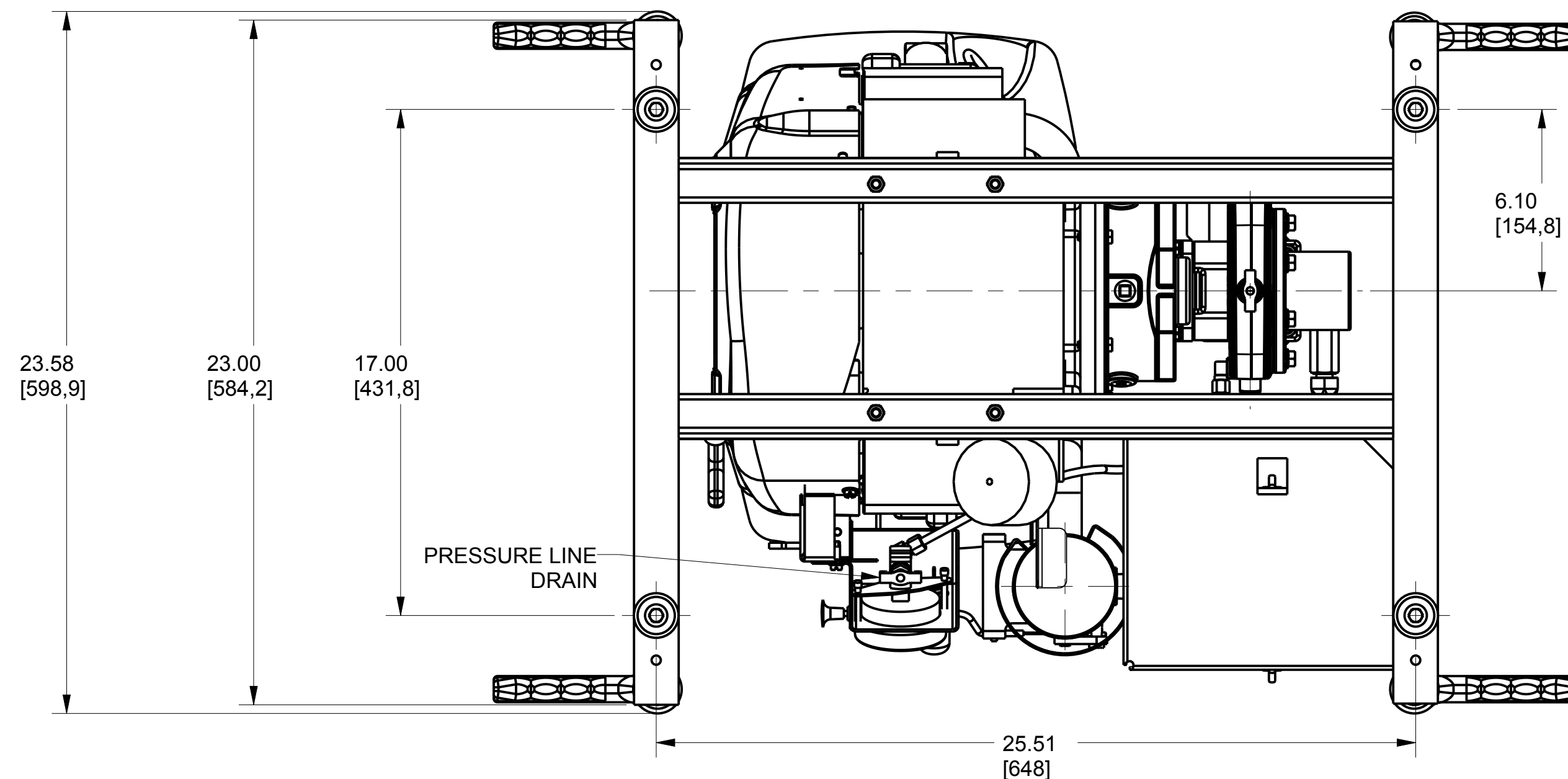
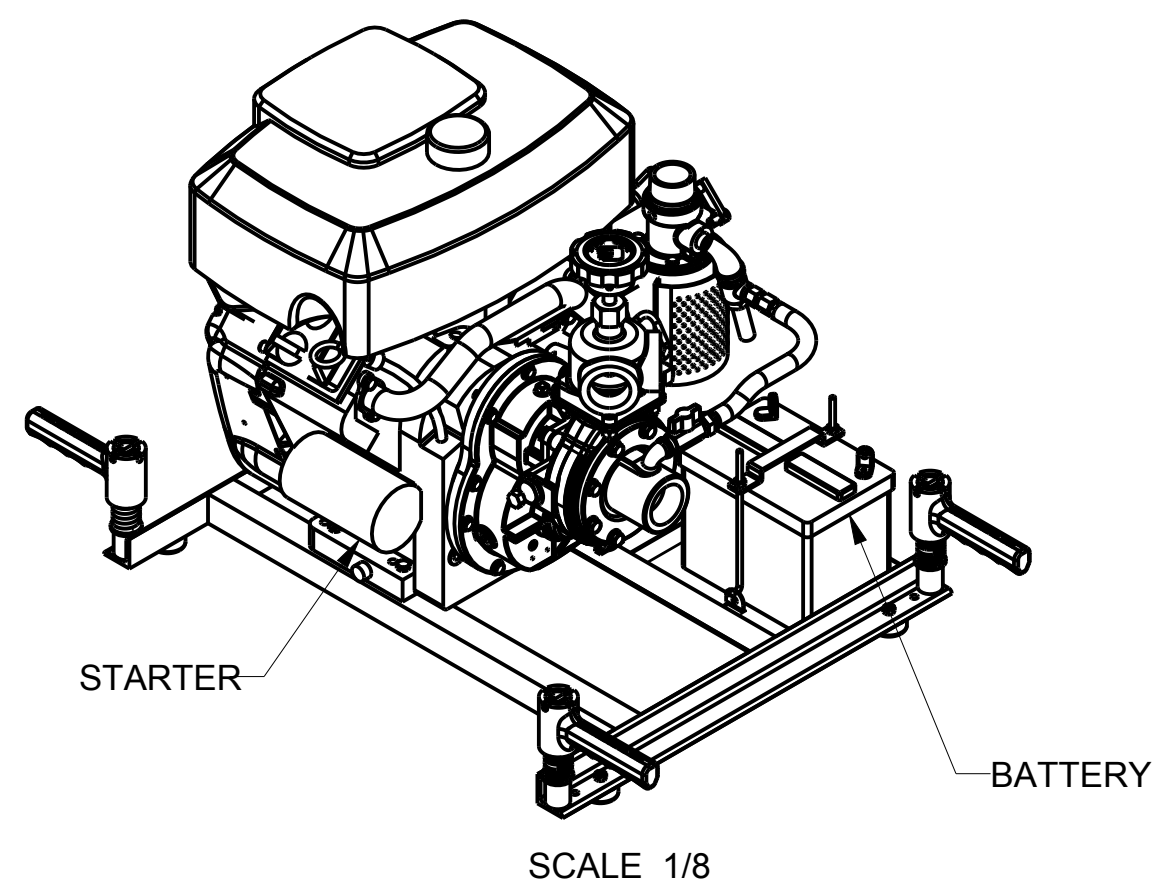


REVISIONS				
LTR	DESCRIPTION	DATE	CHG NO.	APPRD



APPROXIMATE WEIGHT: 157 LBS (72KG)



REMOVE SHARP EDGES		INCH [MILLIMETER]		TOLERANCE EXCEPT AS NOTED		W.S. Darley & Co. ITASCA, IL - CHIPPEWA FALLS, WI	
MATERIAL DESCRIPTION:		MATERIAL NO.		PATTERN NO.		1.25 18HP COOLER/ CLEANER VANGUARD SKID - DIMENSIONAL	
THIS DESIGN IS THE PROPERTY OF W.S. DARLEY AND CO. - UNAUTHORIZED REPRODUCTION IS PROHIBITED		ALL DIMENSIONS IN INCHES UNLESS NOTED		DO NOT SCALE PRINT		DATE 25-May-07 SCALE 1/4	
MODEL NAME DAD1506		MOL. CREATED 3/15/07		SHEET 1/1		D	
DRN JWG/AN		CHKD TED		TRCD		DAD1506	