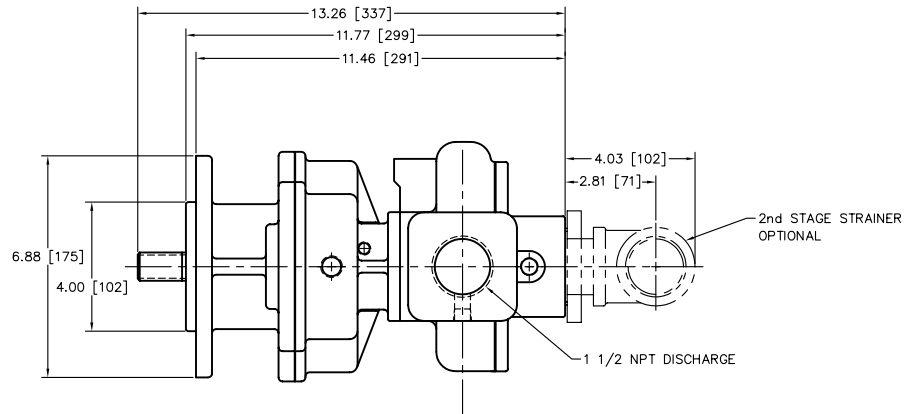
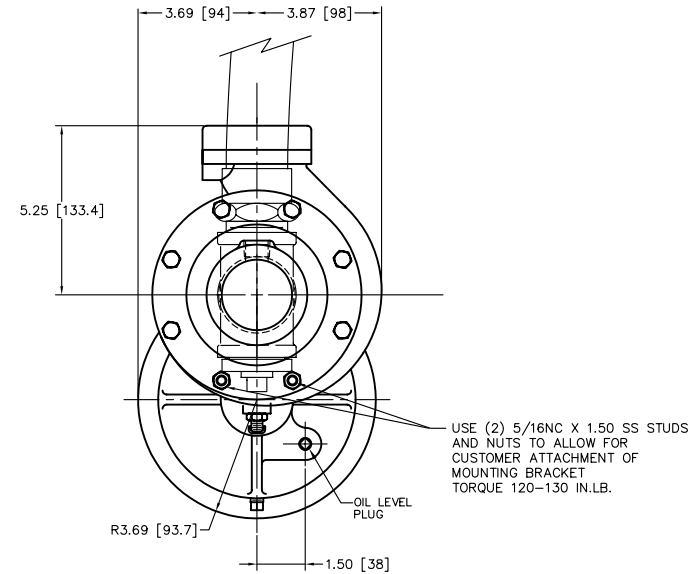
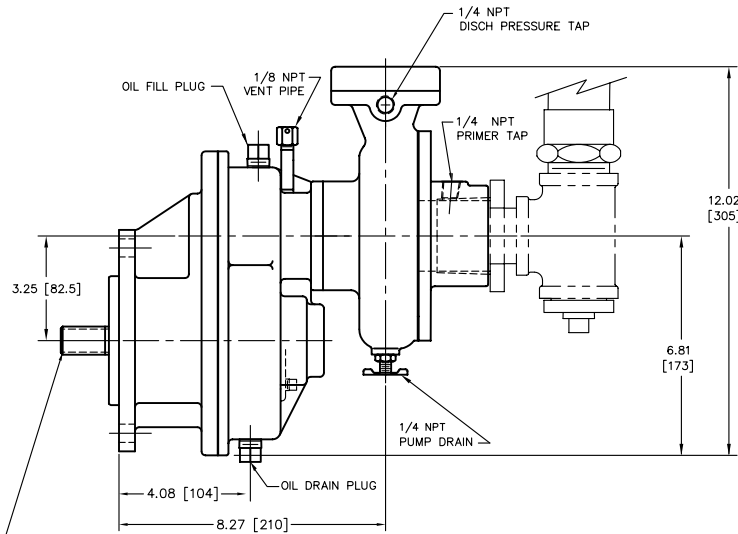
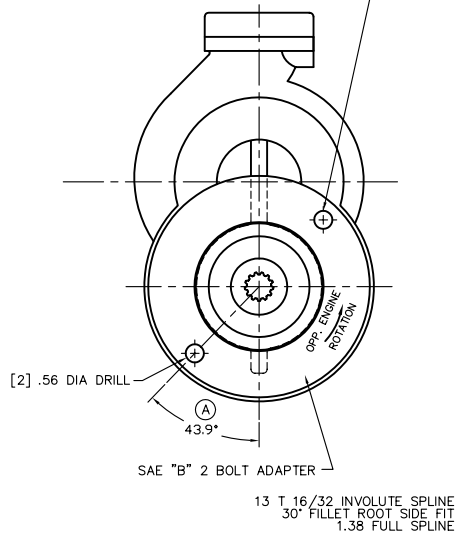


REVISIONS				
LTR	DESCRIPTION	DATE	CHG NO.	APP'D
A	43.9" WAS 25.6"	MAY21,96	96-52	DWS



[2] 1/2-13NC HEX HD CAP SCREWS
TORQUE 25-32 FT.LB.



MATERIAL DESCRIPTION: APPROX. WEIGHT 48 LBS. [22 KG.]		MATERIAL NO.	PATTERN NO.	DATE: AUG30,95
THIS DESIGN IS THE PROPERTY OF W.S. DARLEY AND CO. - UNAUTHORIZED REPRODUCTION IS PROHIBITED		ALL DIMENSIONS IN INCHES UNLESS NOTED		SCALE 1/2
DO NOT SCALE PRINT		TOLERANCE EXCEPT AS NOTED .0004 .0008 .0015 ANGLES 8°		DATE: AUG30,95
OLD PART NO. A663		W.S. DARLEY & CO. MILWAUKEE PARKS, IL - CHIPPewa FALLS, WI		DAD0900