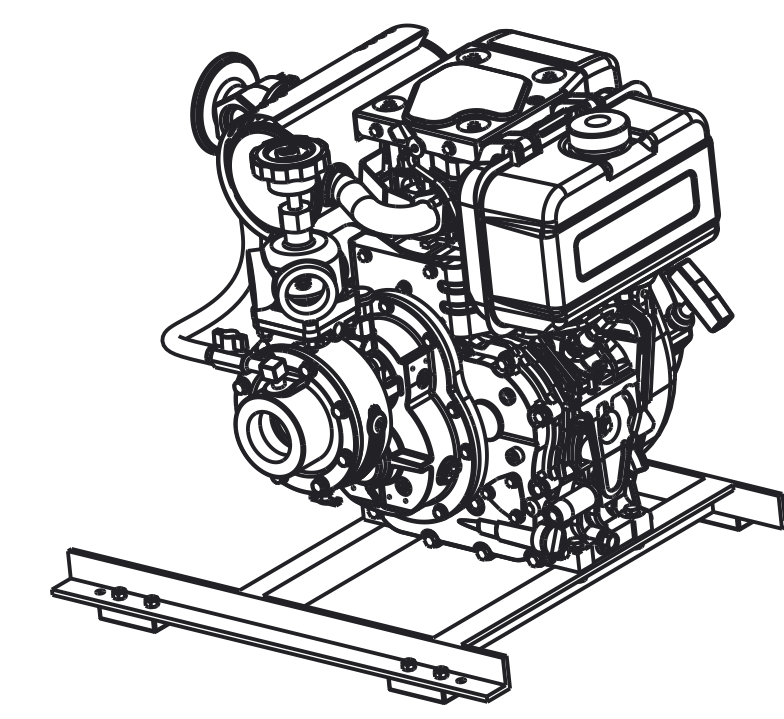
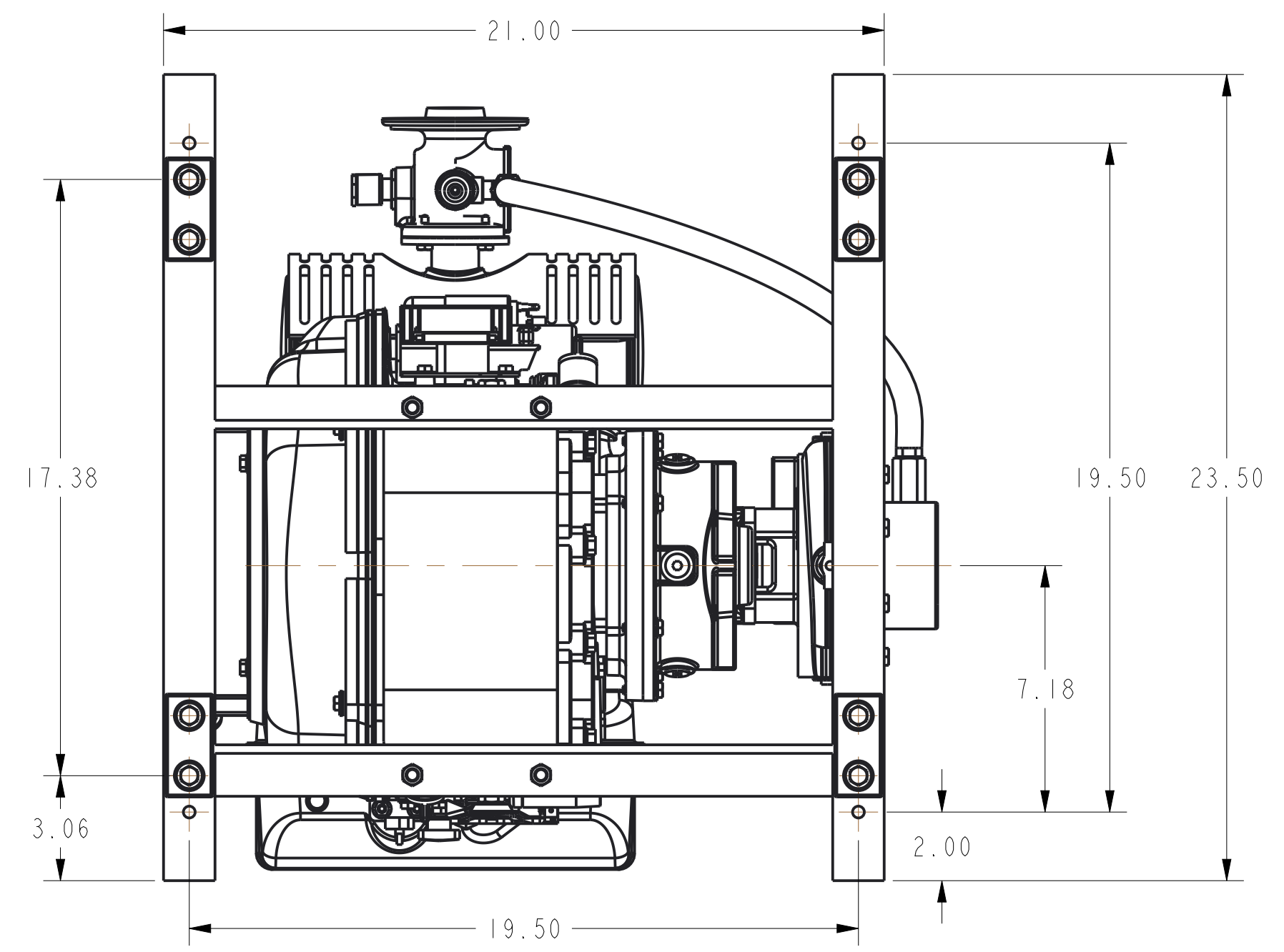
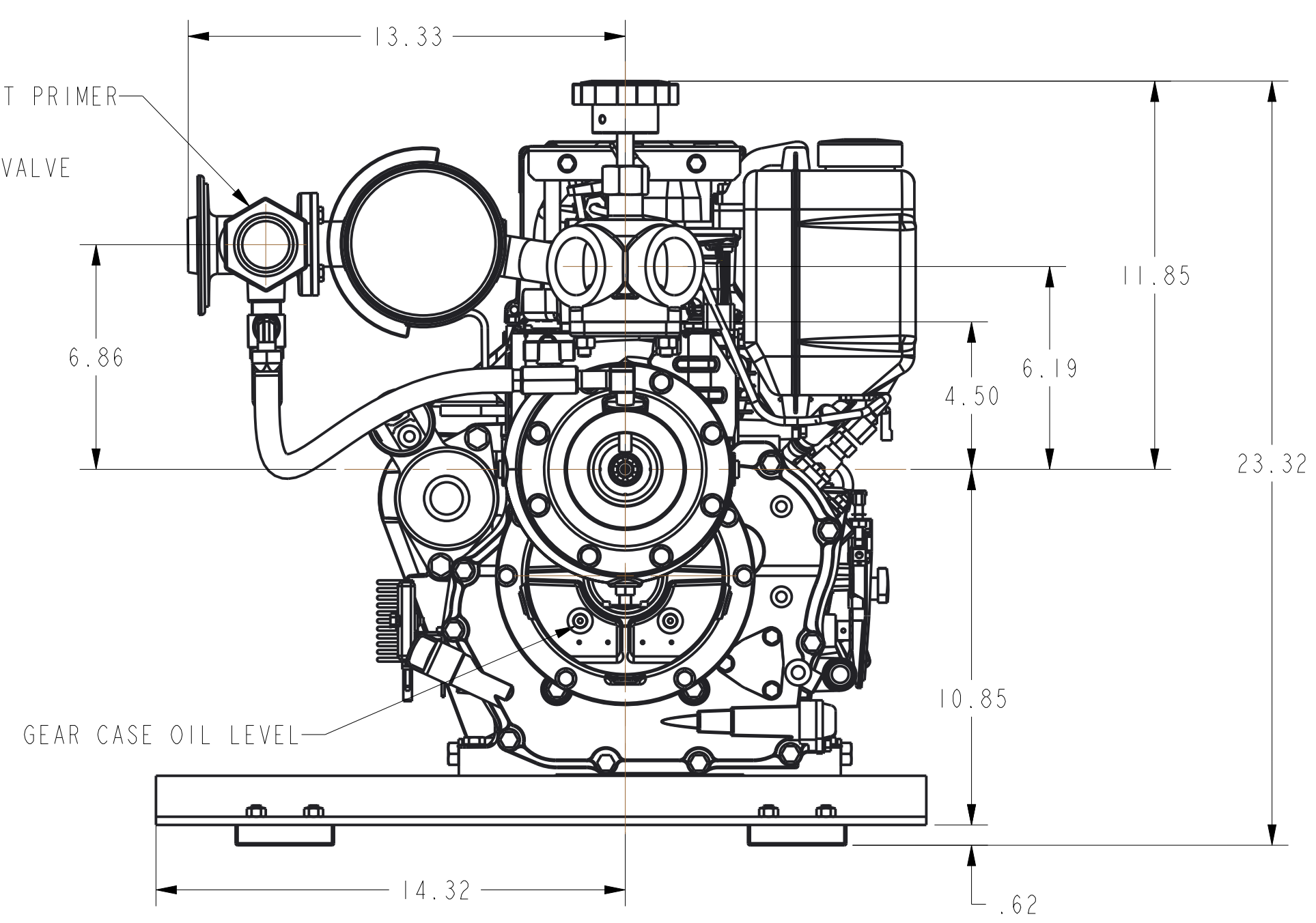
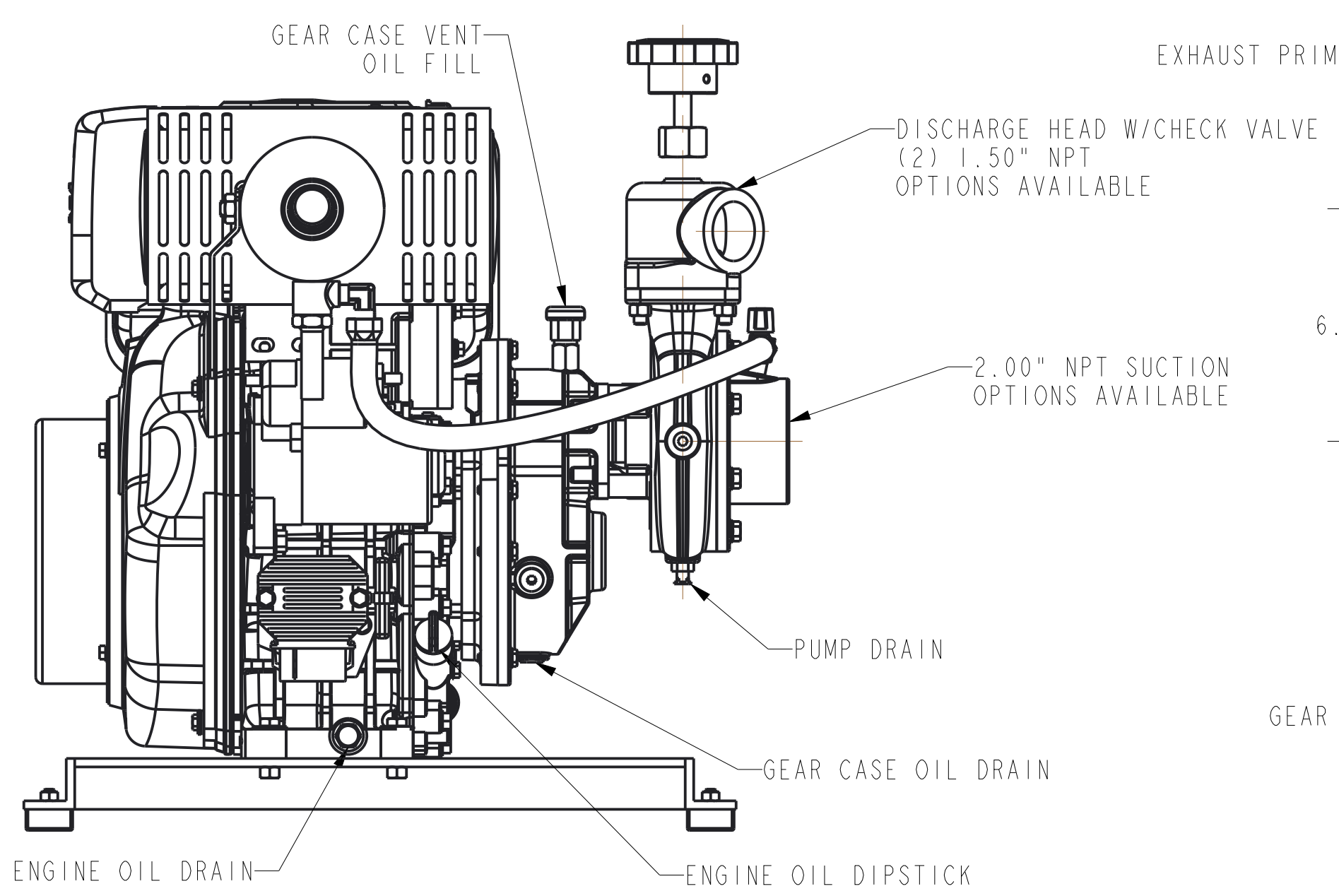
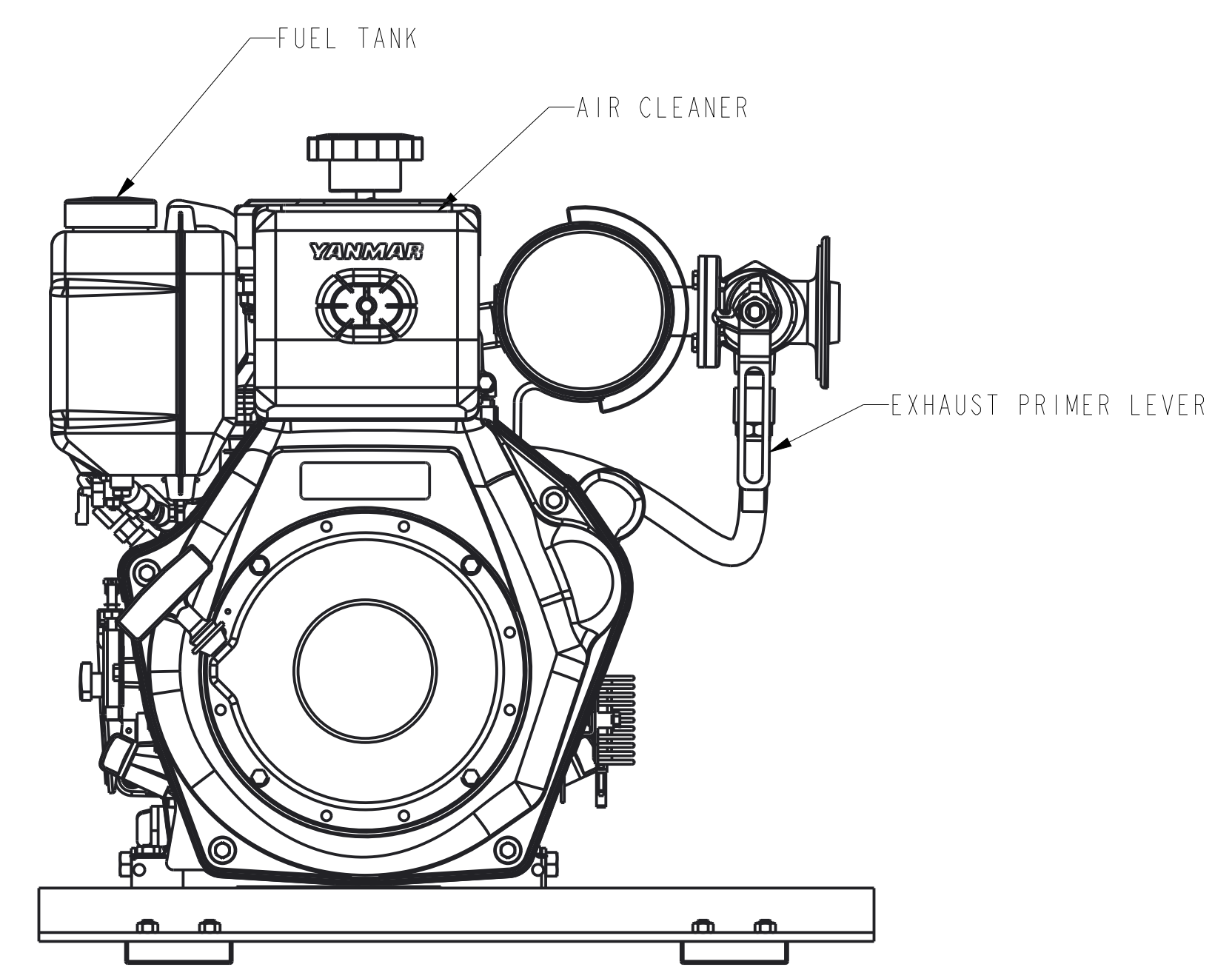
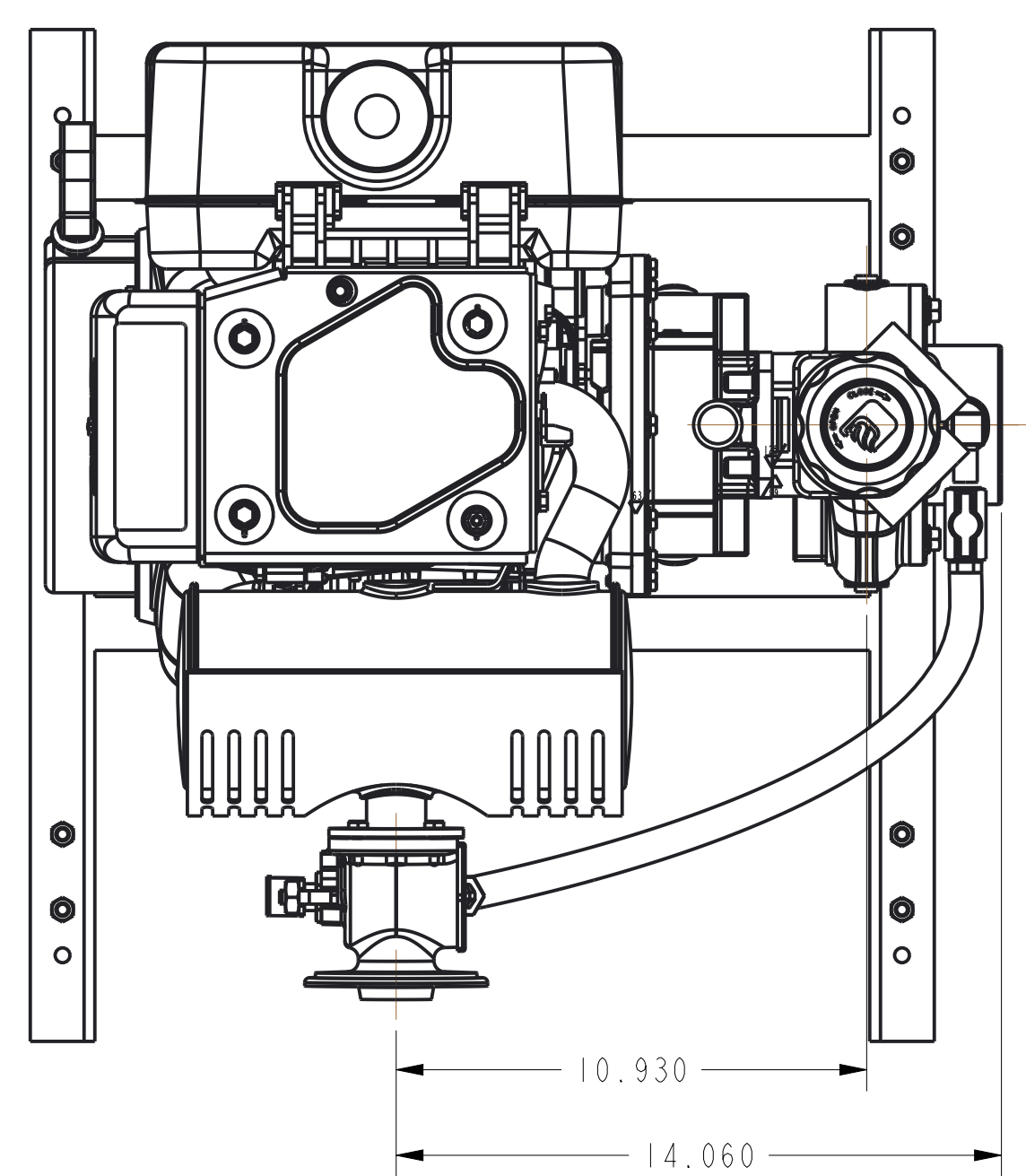


REVISIONS				
LTR	DESCRIPTION	DATE	CHG NO.	APPR'D



SCALE 1/8



REMOVE SHARP EDGES

INCH (MILLIMETER)

OLD PART NO. TOLERANCE EXCEPT AS NOTED

W.S. Darley & Co. ITASCA, IL - CHIPPEWA FALLS, WI

MATERIAL DESCRIPTION: THIS DESIGN IS THE PROPERTY OF W.S. DARLEY AND CO. - UNAUTHORIZED REPRODUCTION IS PROHIBITED

MATERIAL NO. PATTERN NO. DO NOT SCALE PRINT

DWG - 1.5AGE, 10HP YANMAR L100V DIMENSIONAL DATE 10-JUN-14 SCALE 1/4 DAD0715