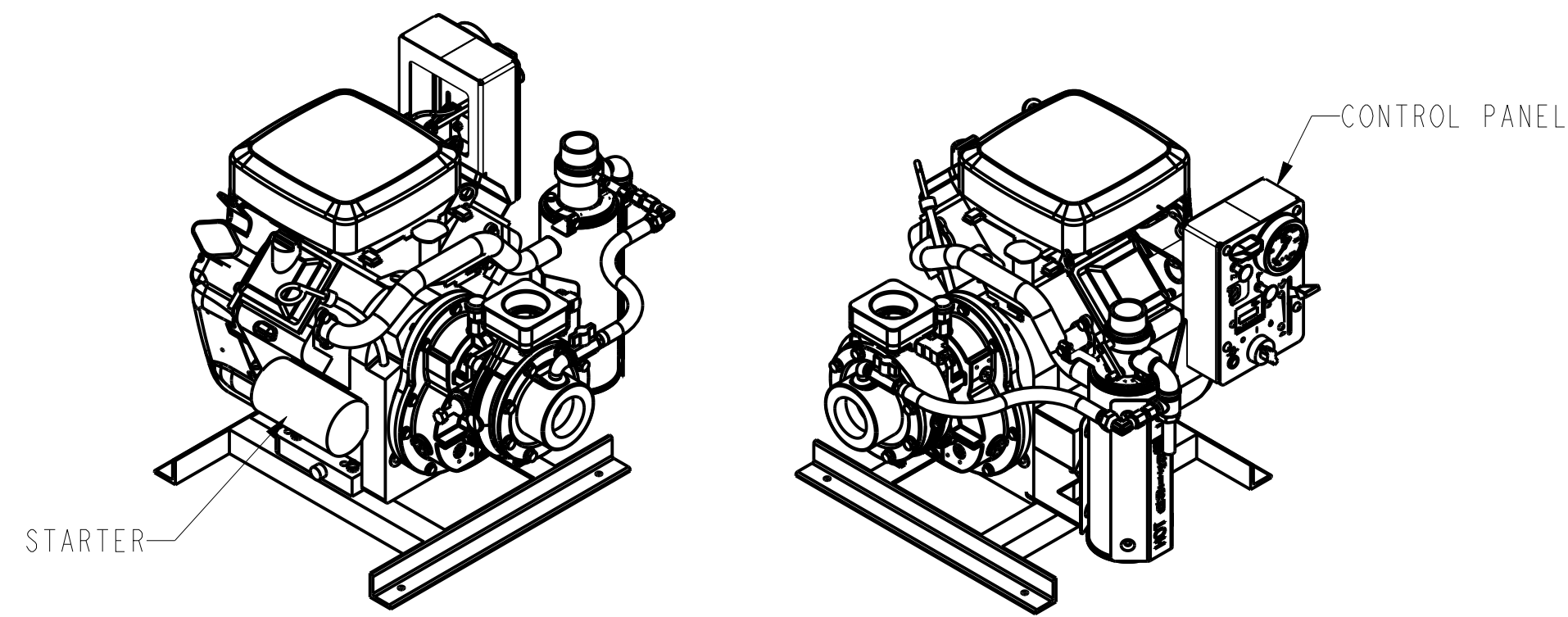
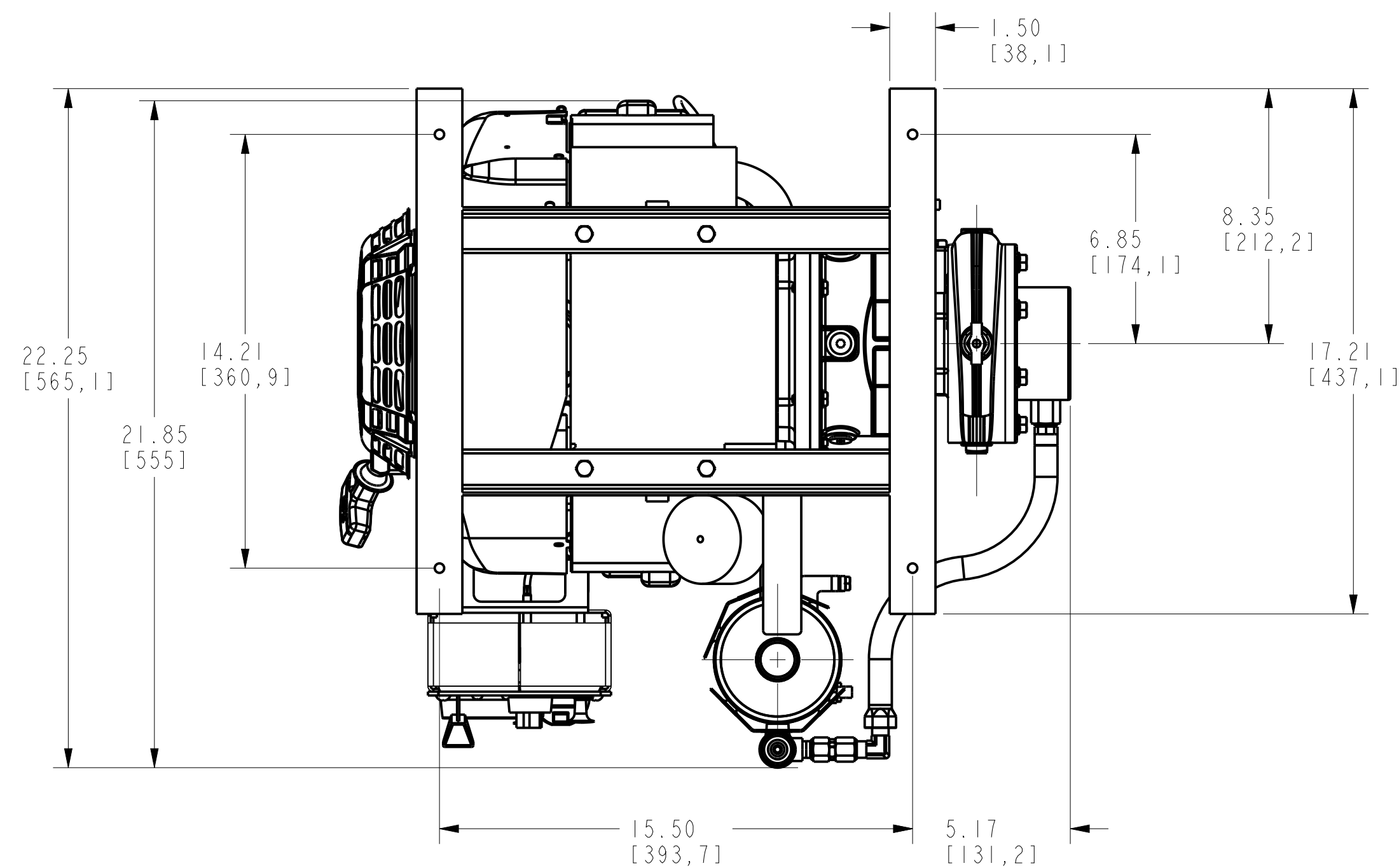
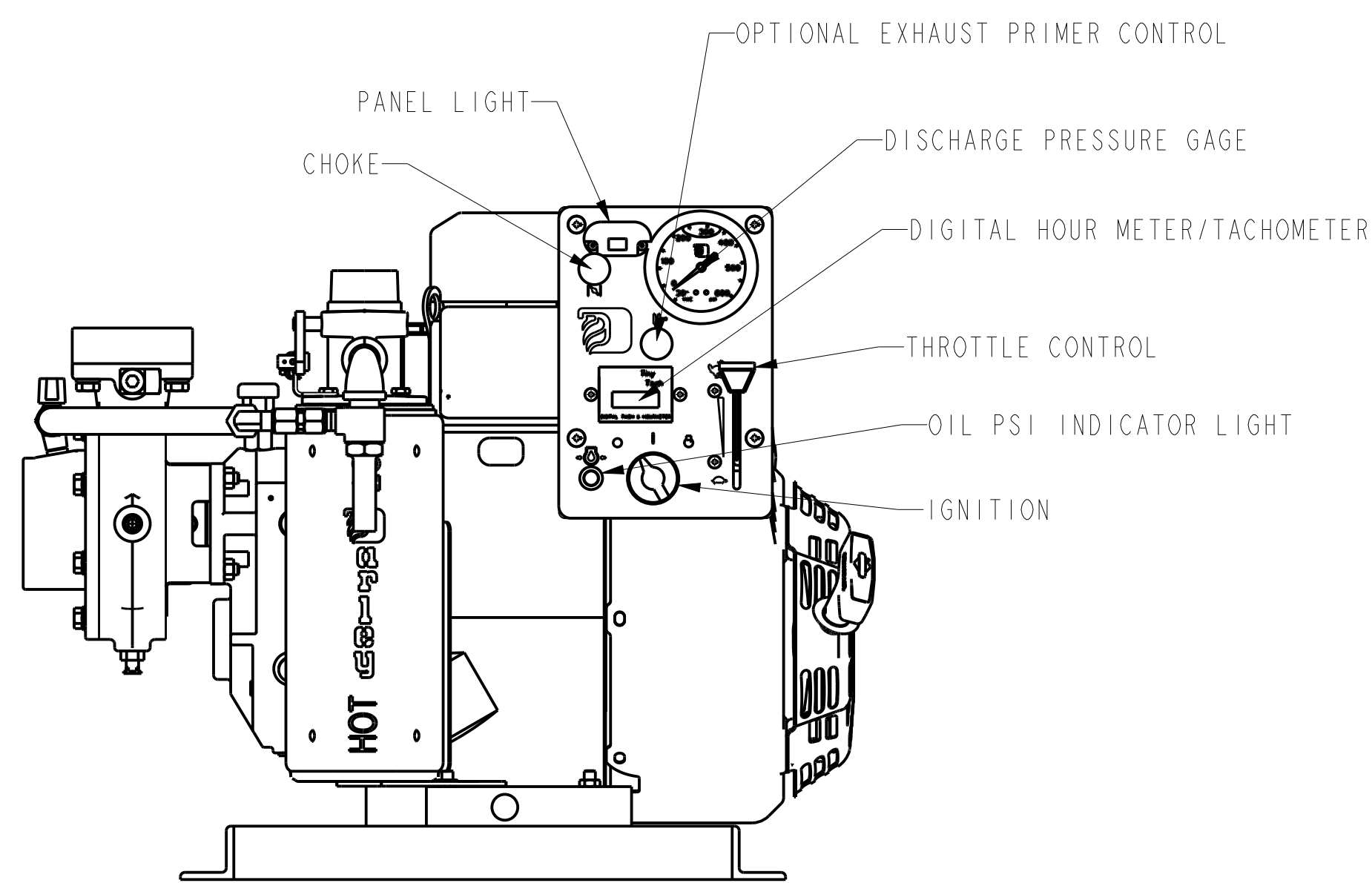
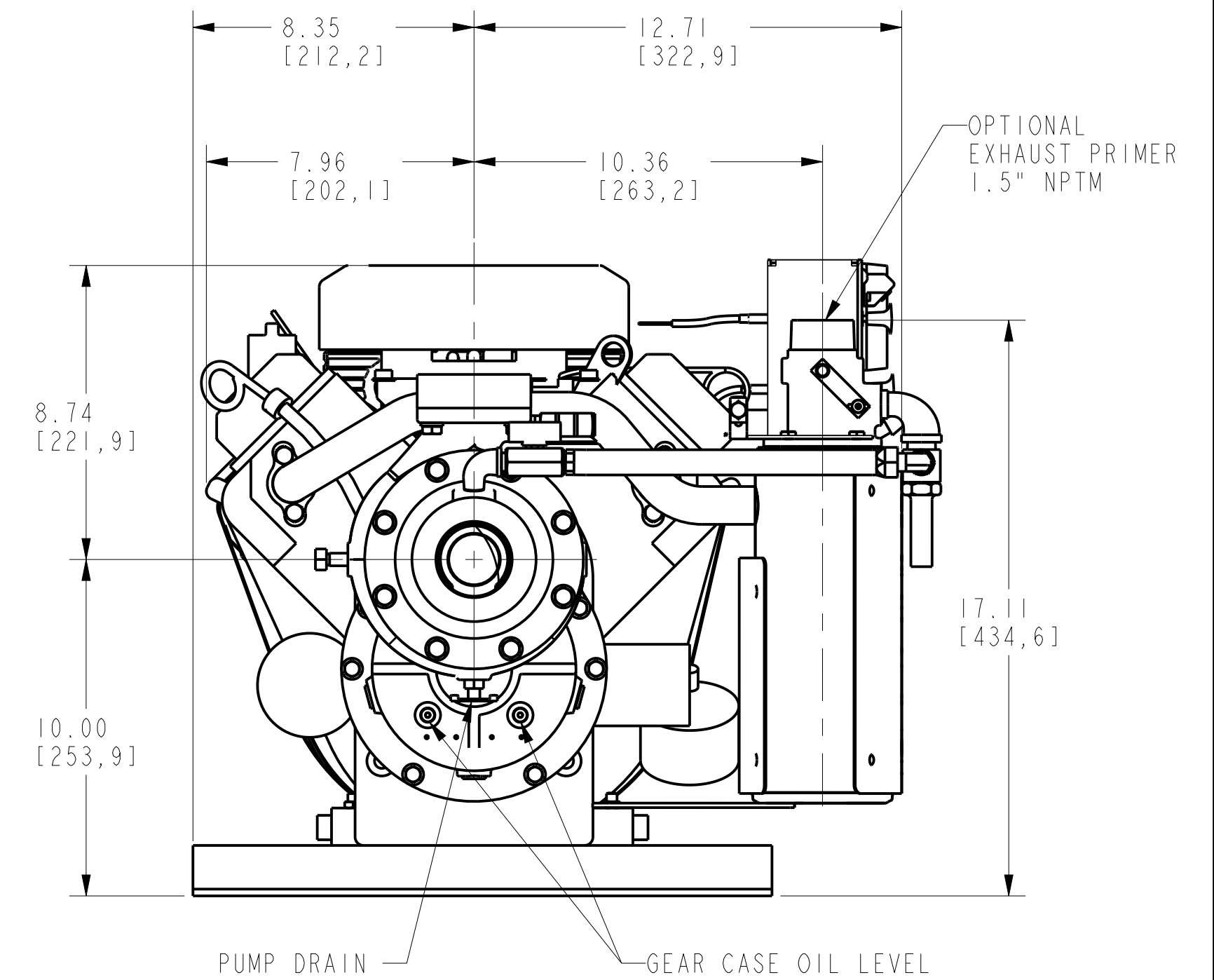
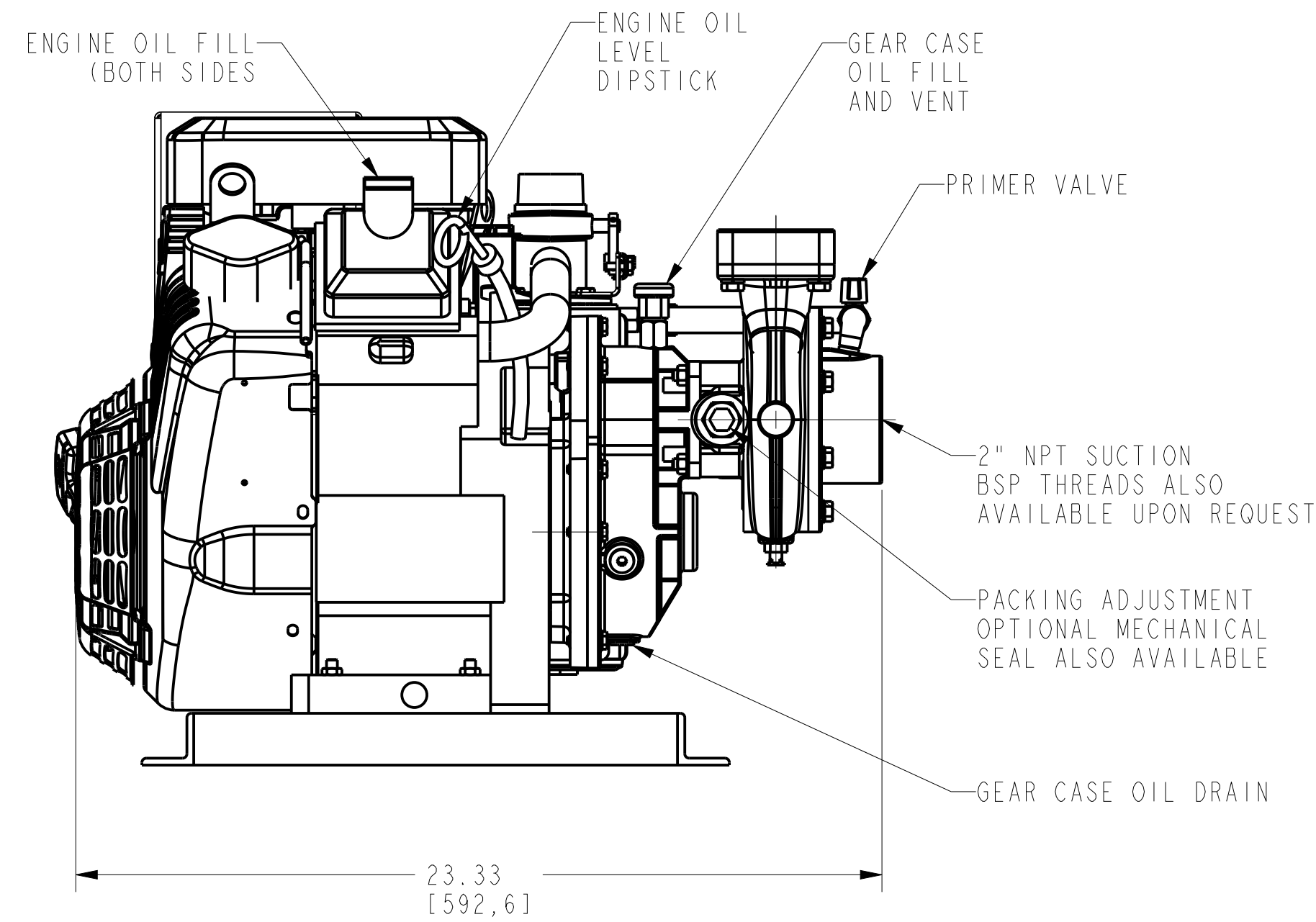
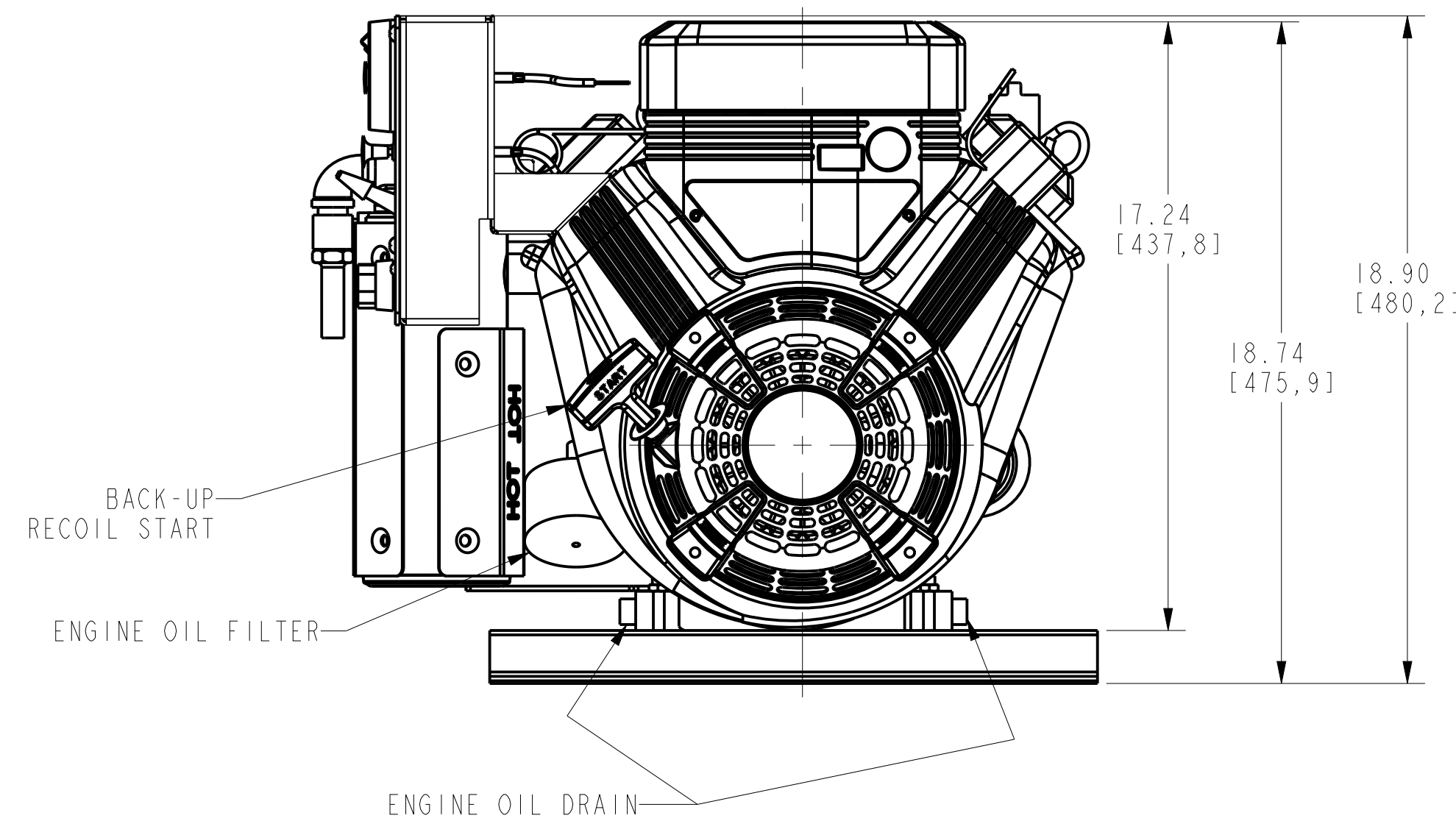
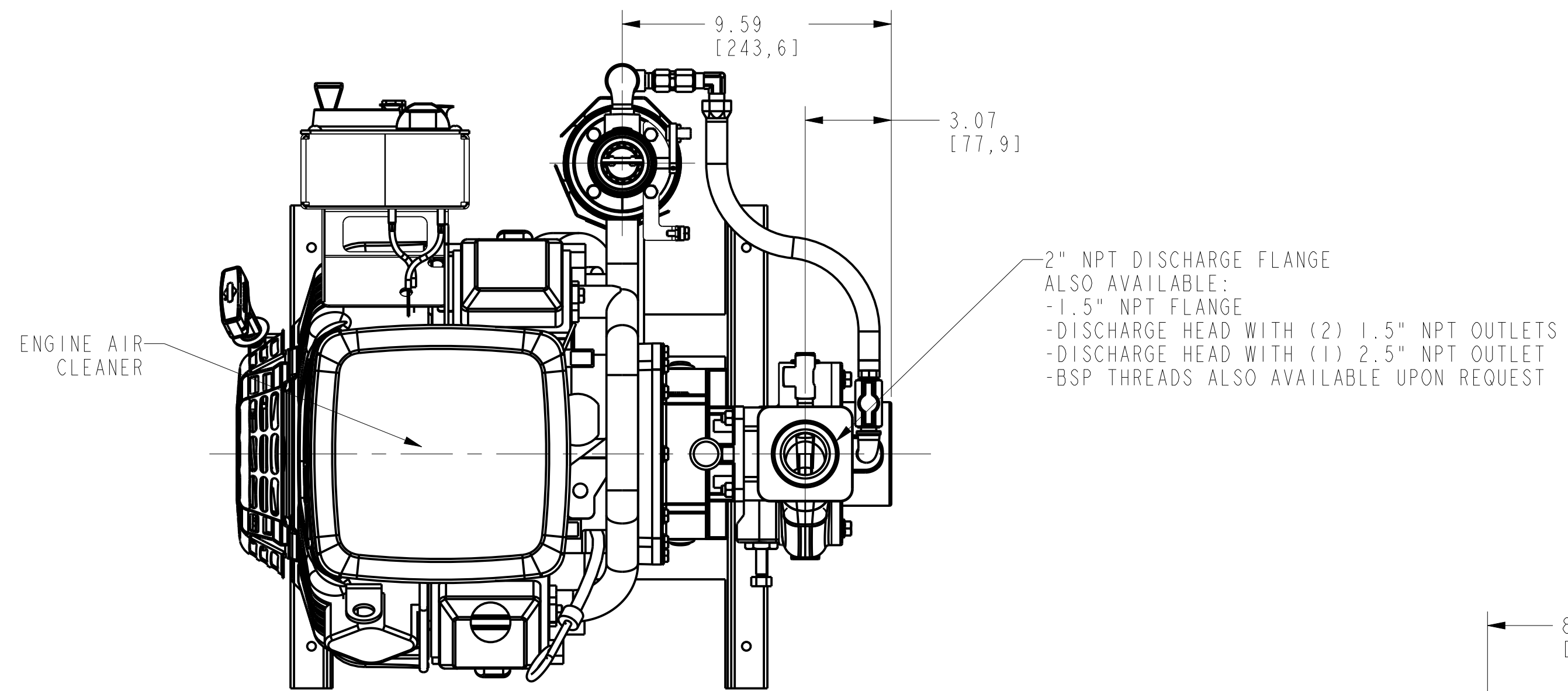


REVISIONS				
LTR	DESCRIPTION	DATE	CHG NO.	APPR'D



SCALE 1/8



APPROXIMATE WEIGHT: 146 LBS (66 KG)

REMOVE SHARP EDGES		INCH (MILLIMETER)	OLD PART NO.	TOLERANCE EXCEPT AS NOTED	W.S. Darley & Co. ITASCA, IL - CHIPPEWA FALLS, WI
MATERIAL DESCRIPTION: ALUMINUM	MATERIAL NO.	PATTERN NO.	DR'N TED	DATE 11-Nov-13	DWG - 1.5AGE, 18HP VAN. SKID NO FUEL TANK, CONTROL
THIS DESIGN IS THE PROPERTY OF W.S. DARLEY AND CO. - UNAUTHORIZED REPRODUCTION IS PROHIBITED	ALL DIMENSIONS IN INCHES UNLESS NOTED	DO NOT SCALE PRINT	CHWD AAN	SCALE 1/4	DAD0714

MODEL NAME: DAD0714
MOL CREATED: 11Nov2013
SHEET: 1/1