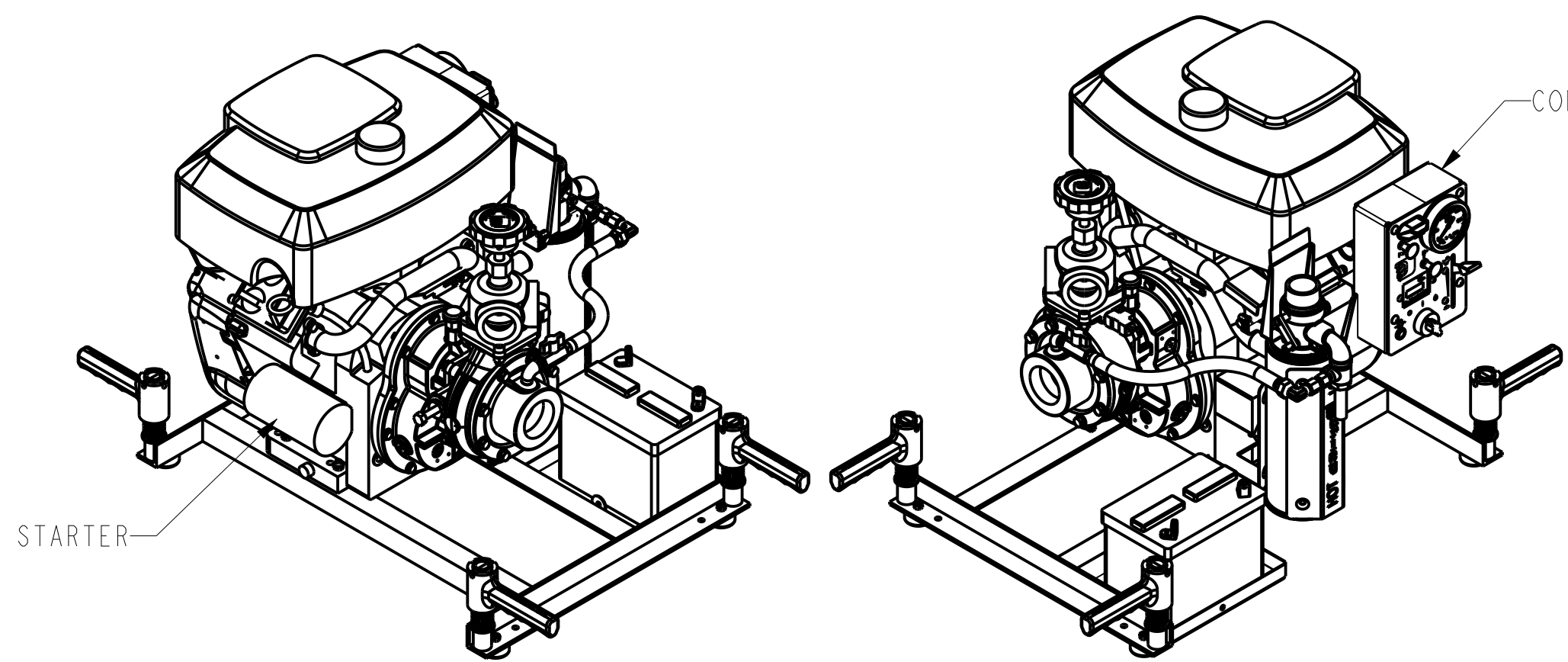
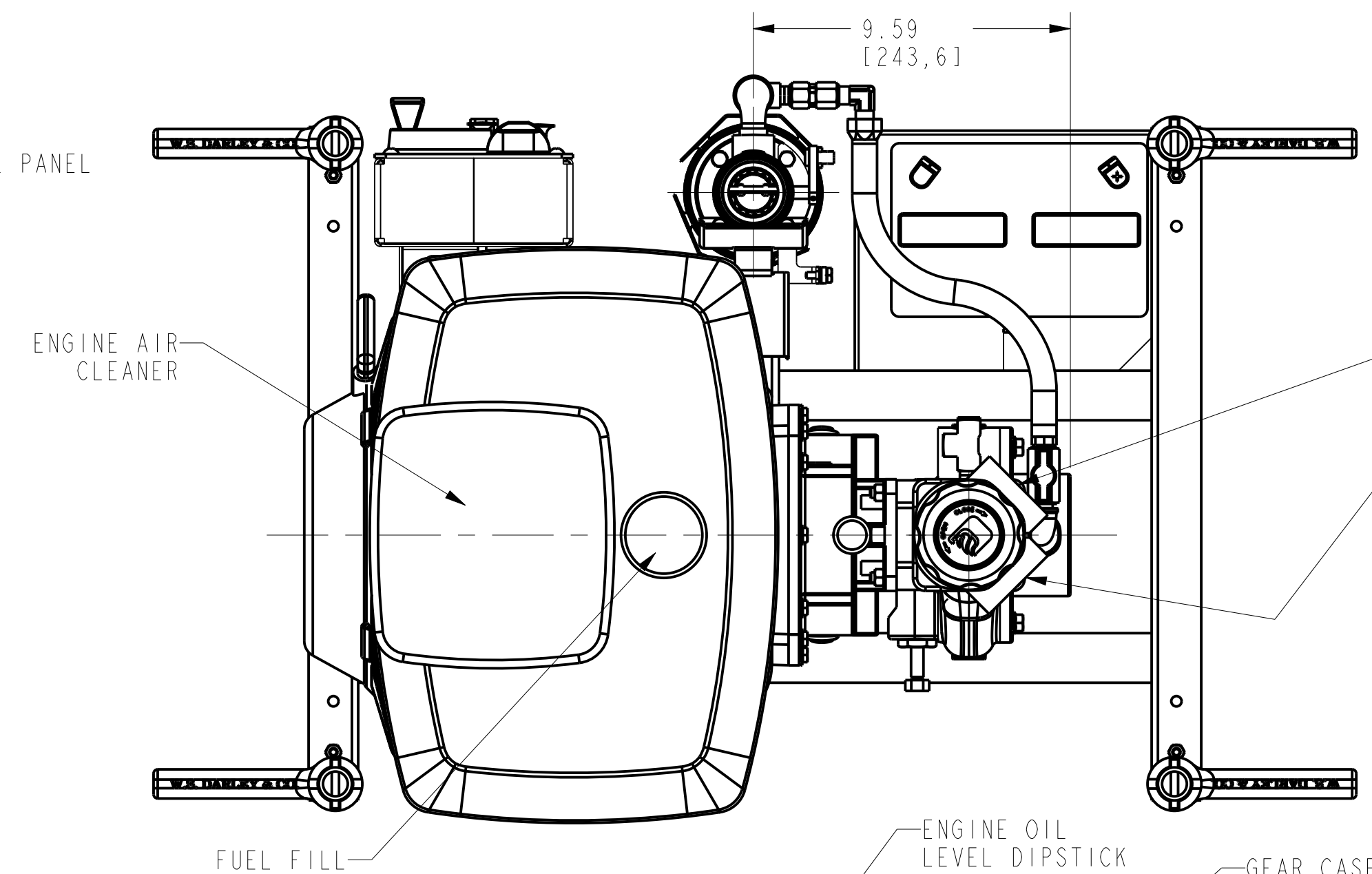


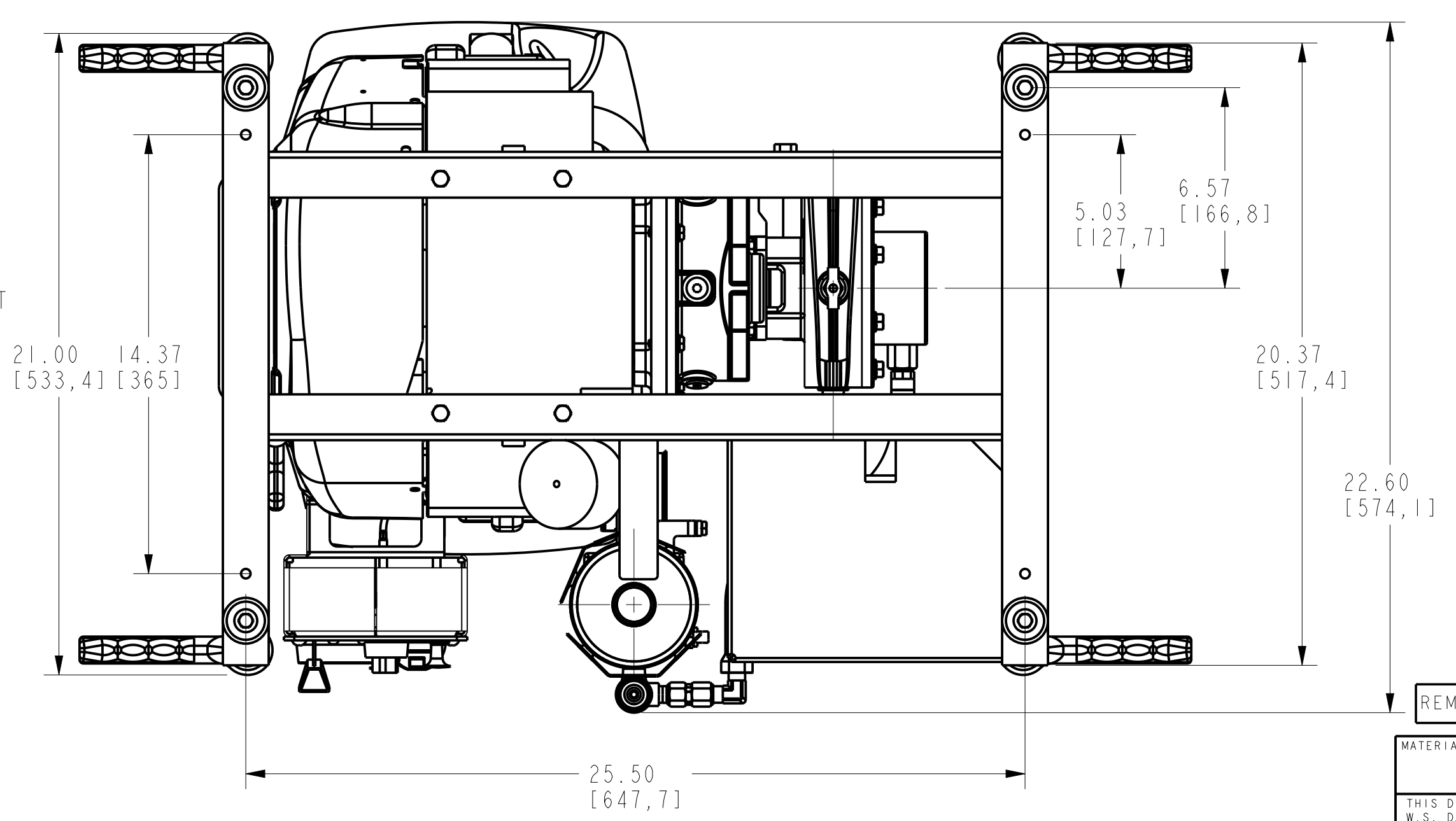
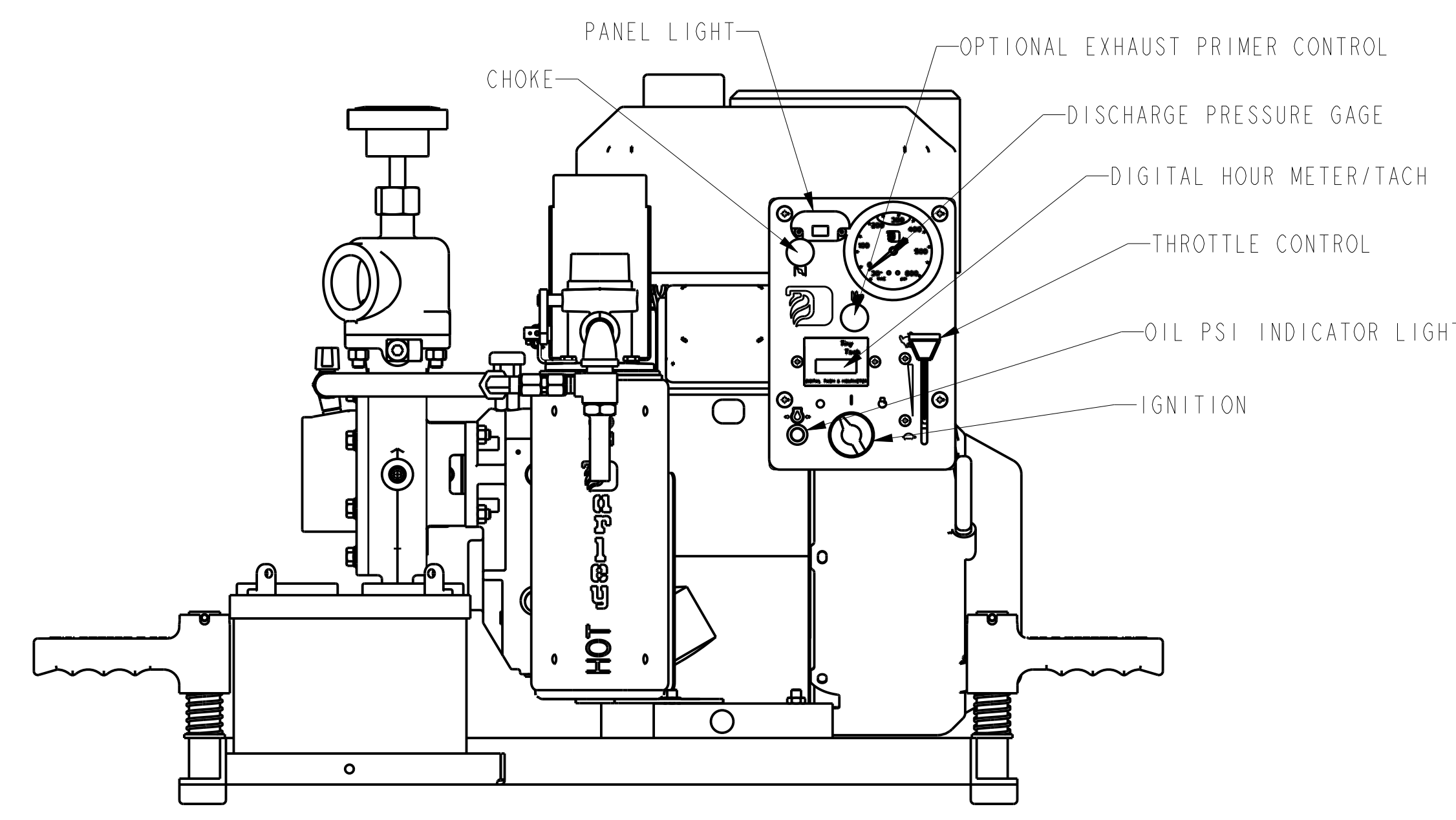
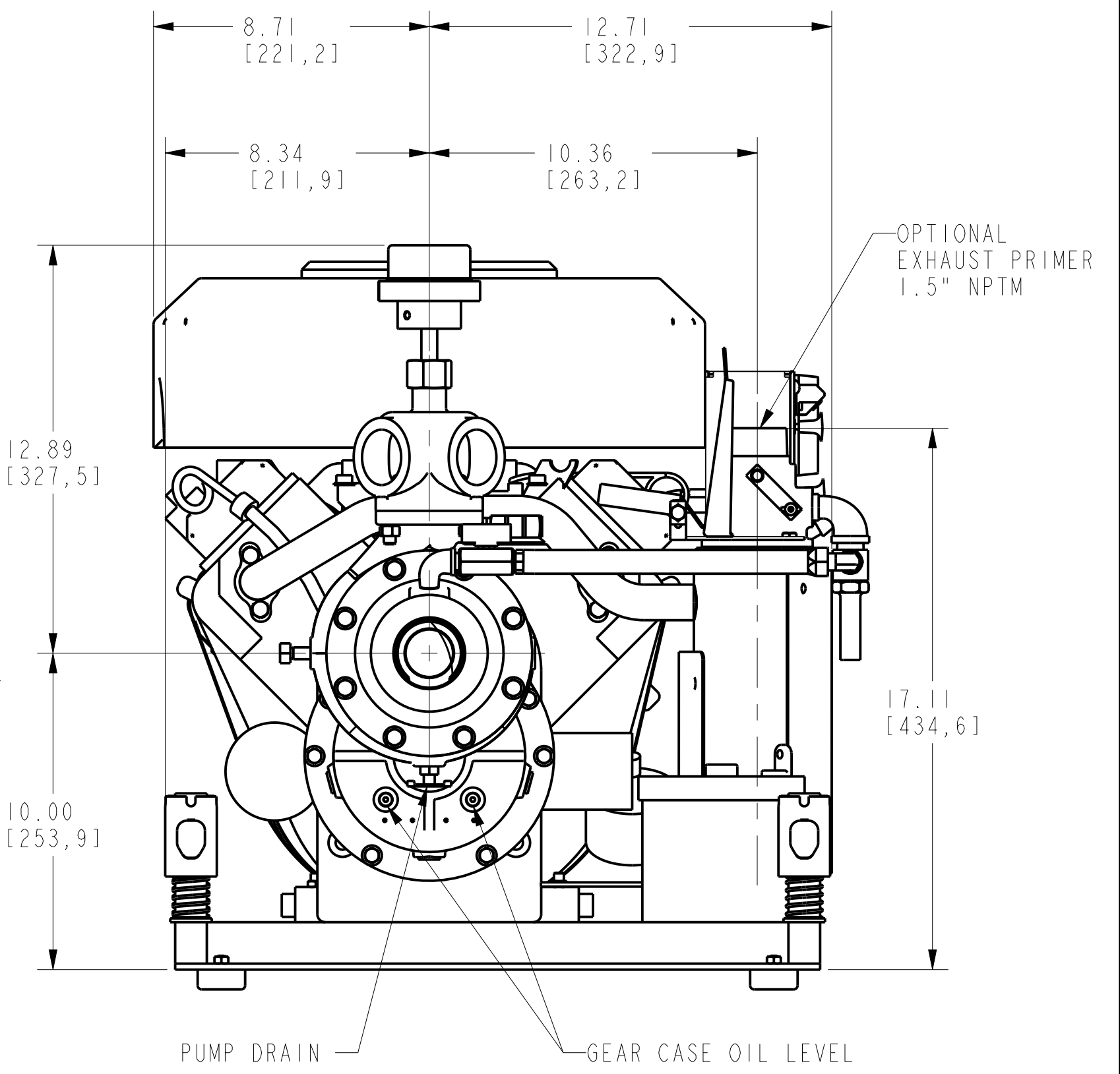
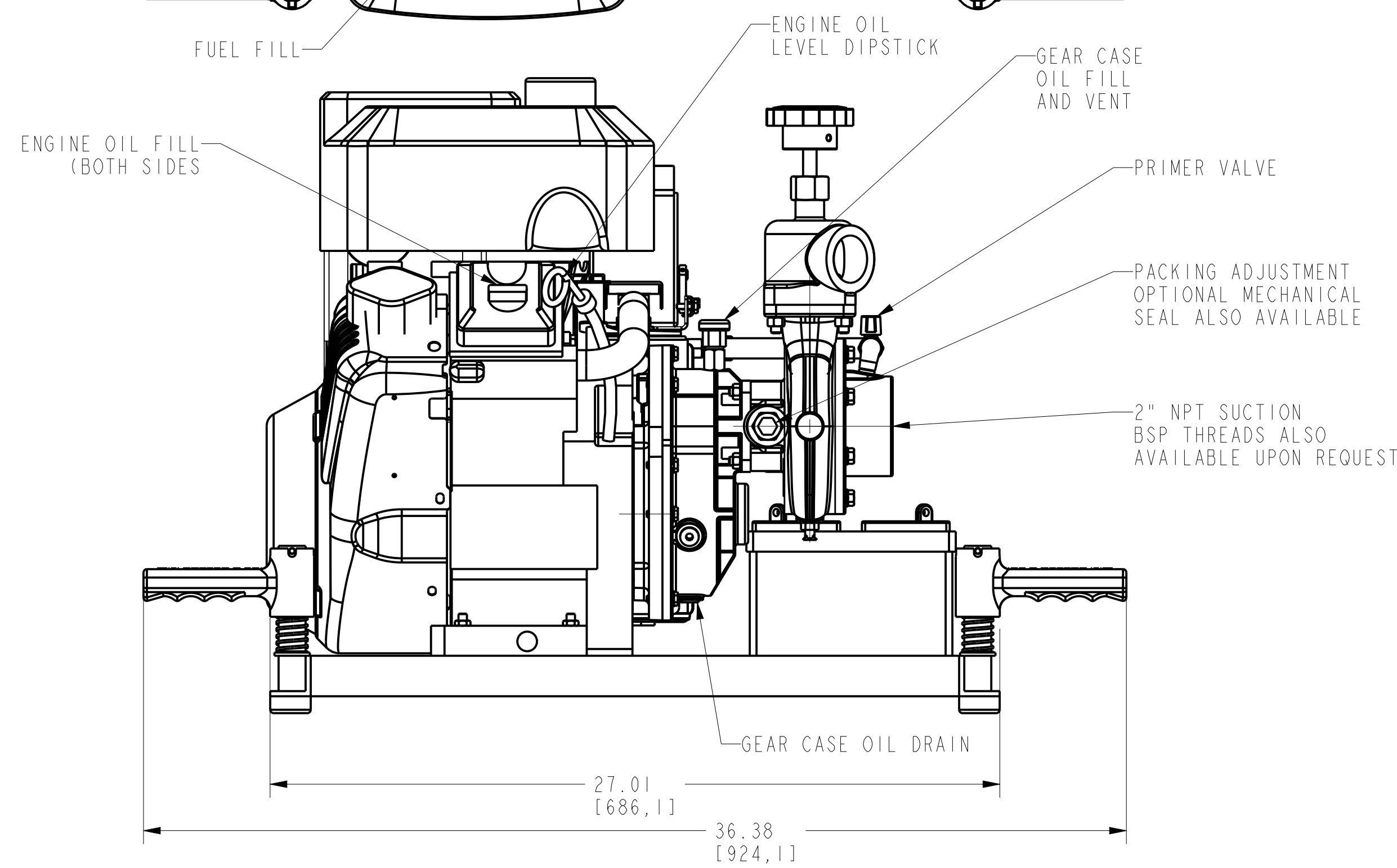
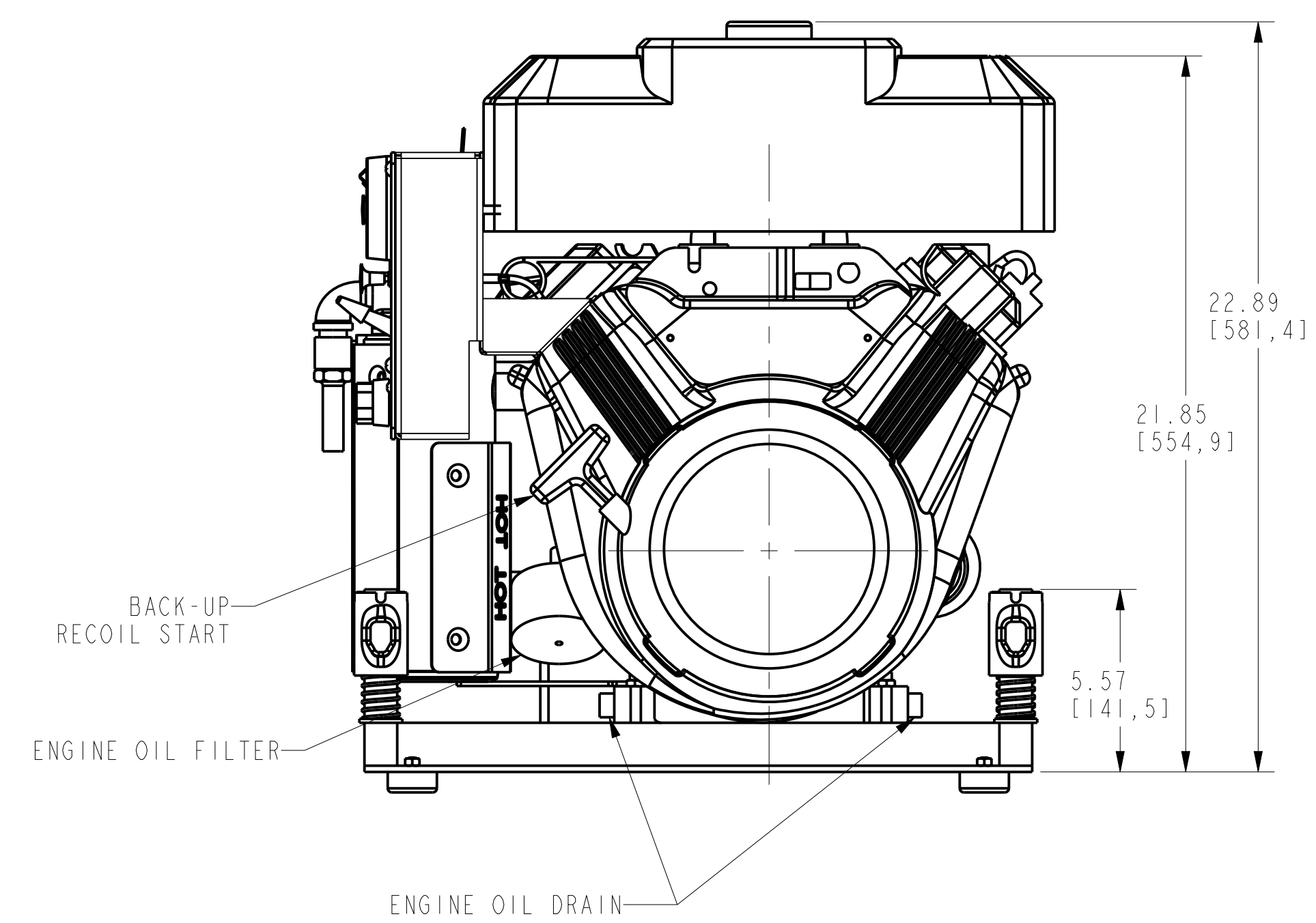
REVISIONS				
LTR	DESCRIPTION	DATE	CHG NO.	APPR'D



SCALE 1/8



DISCHARGE HEAD WITH (2) 1.5" NPT OUTLETS  
ALSO AVAILABLE:  
-1.5" NPT FLANGE  
-2" NPT DISCHARGE FLANGE  
-DISCHARGE HEAD WITH (1) 2.5" NPT OUTLET  
-BSP THREADS ALSO AVAILABLE UPON REQUEST



APPROXIMATE WEIGHT: 146 LBS (66 KG)

REMOVE SHARP EDGES

INCH (MILLIMETER)

MATERIAL DESCRIPTION: ALUMINUM	MATERIAL NO.	PATTERN NO.	DR 'N' TED CHWD AAN TRCD	DATE 10-Dec-13 SCALE 1/4
TOLERANCE EXCEPT AS NOTED 0.00 ± 0.03 0.000 ± 0.010 ANGLES ± 1°		OLD PART NO.		W.S. Darley & Co. ITASCA, IL - CHIPPEWA FALLS, WI
THIS DESIGN IS THE PROPERTY OF W.S. DARLEY AND CO. - UNAUTHORIZED REPRODUCTION IS PROHIBITED			DWG - 1.5AGE, 13/18HP VAN. PORT FUEL TANK, CONTROL DAD0711	

MODEL NAME: DAD0711  
MOL. CREATED: 10DEC2013  
SHEET: 1/1