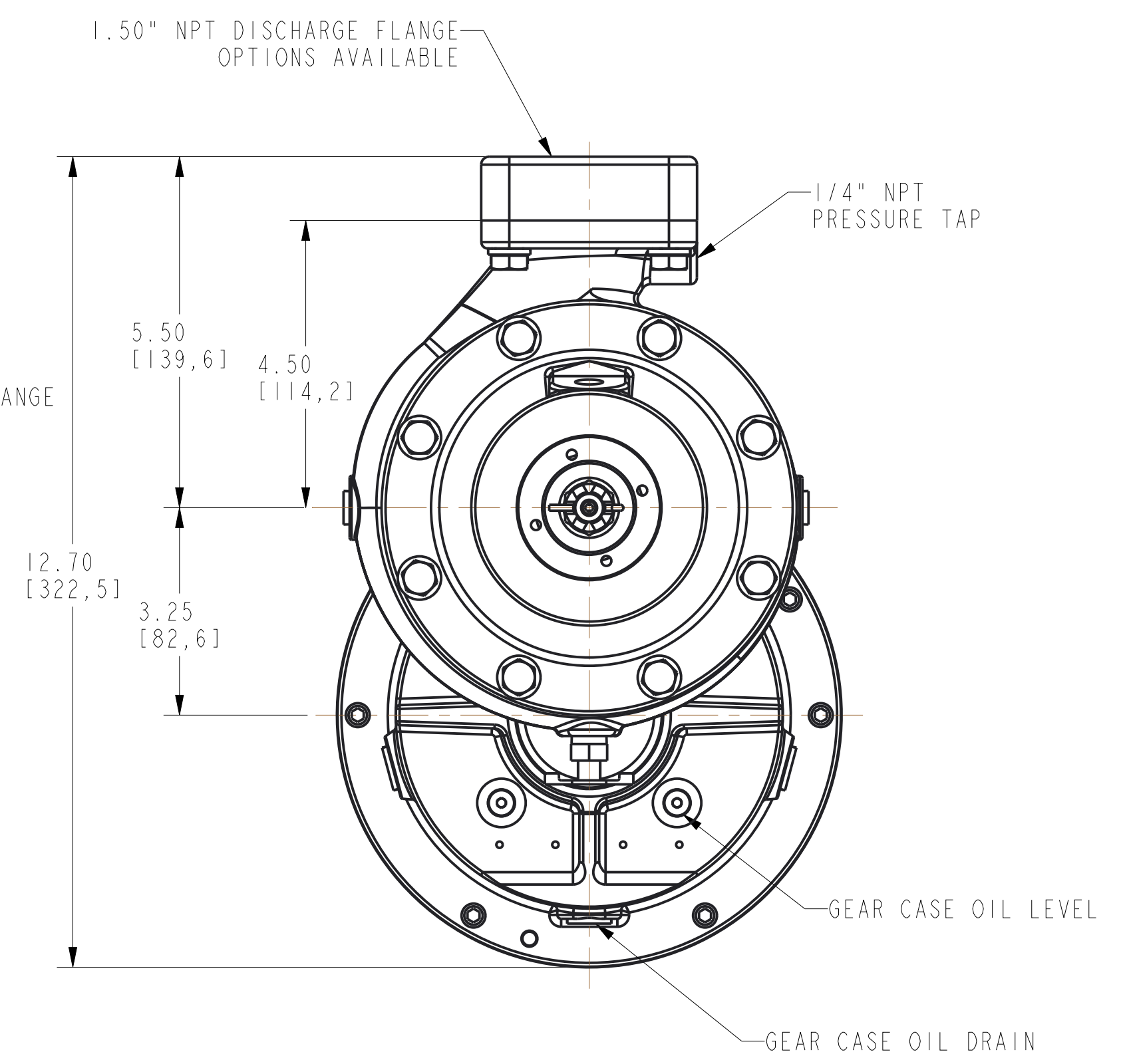
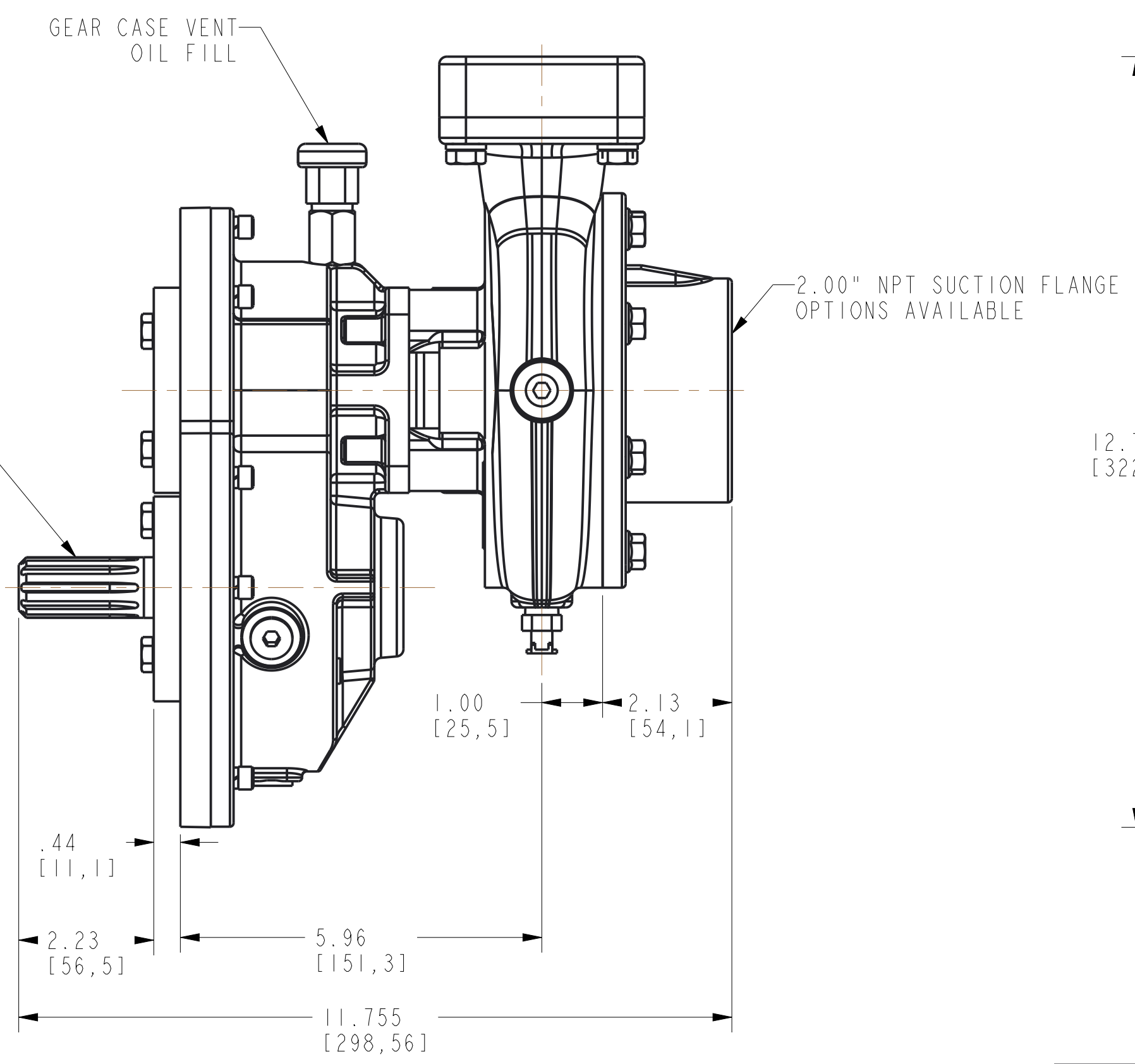
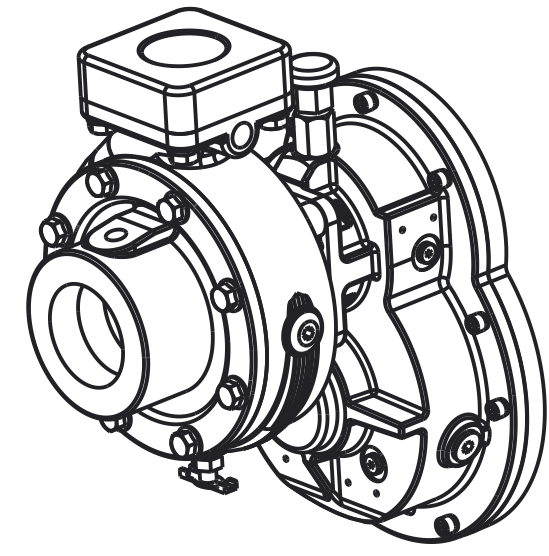
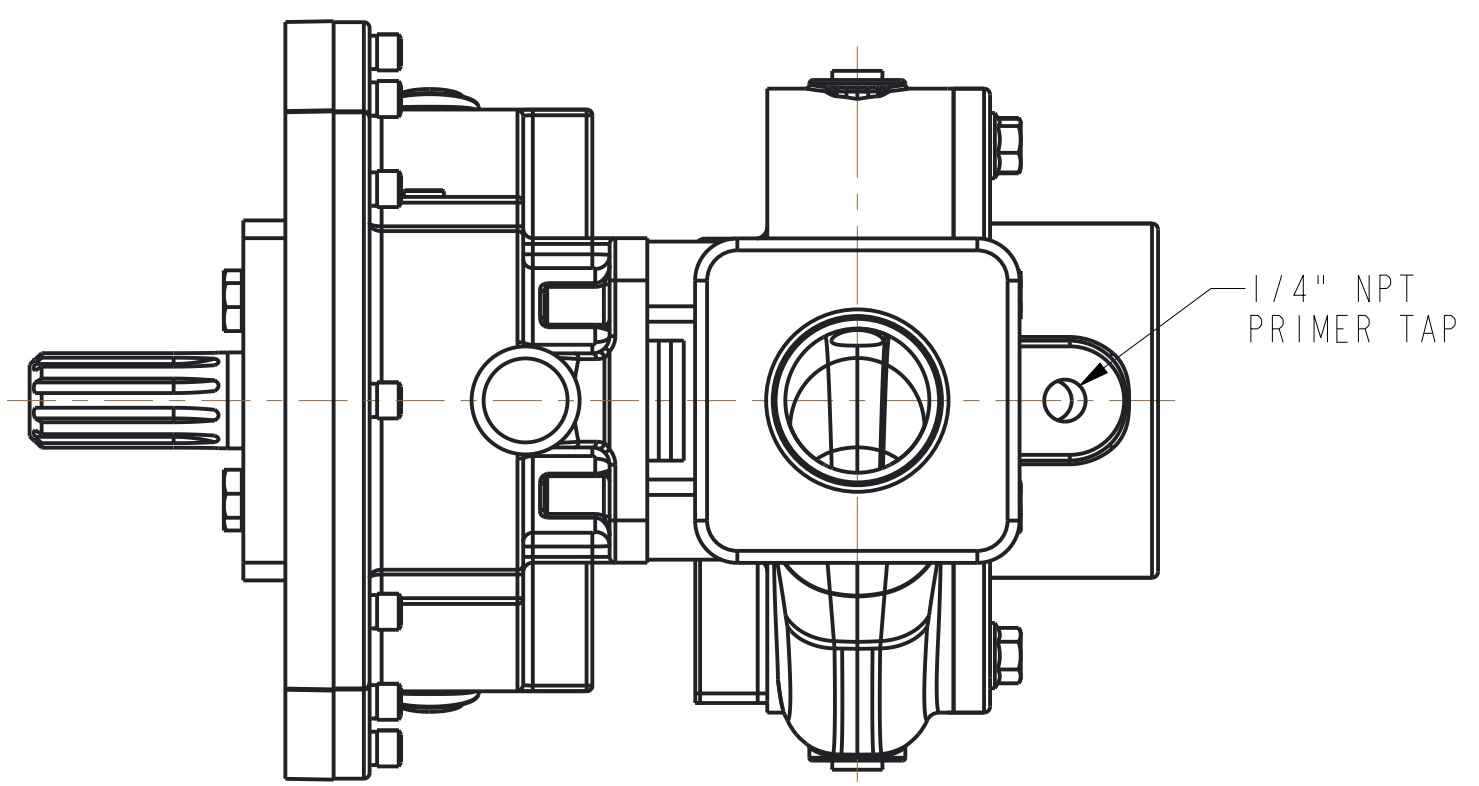


REVISIONS				
LTR	DESCRIPTION	DATE	CHG NO.	APPR'D



APPRX WEIGHT: 40 LBS.

REMOVE SHARP EDGES		INCH [MILLIMETER]	THIRD ANGLE PROJECTION	OLD PART NO.	TOLERANCE EXCEPT AS NOTED .00 ± .03 .000 ± .010 ANGLES ± 1°	MODEL NAME: DAD0250	MDL CREATED: 17JAN2014	SHEET: 1/1	C
MATERIAL DESCRIPTION:		MATERIAL NO.	PATTERN NO.	W.S. Darley & Co. ITASCA, IL - CHIPPEWA FALLS, WI		DWG - 1.5AG, PTO		DIMENSIONAL	
THIS DESIGN IS THE PROPERTY OF W.S. DARLEY AND CO. - UNAUTHORIZED REPRODUCTION IS PROHIBITED		ALL DIMENSIONS IN INCHES UNLESS NOTED		DO NOT SCALE PRINT		DR'N SMS	DATE 17-Jan-14	DAD0250	
						CHKD TED	SCALE 1/2		
						TRCD			