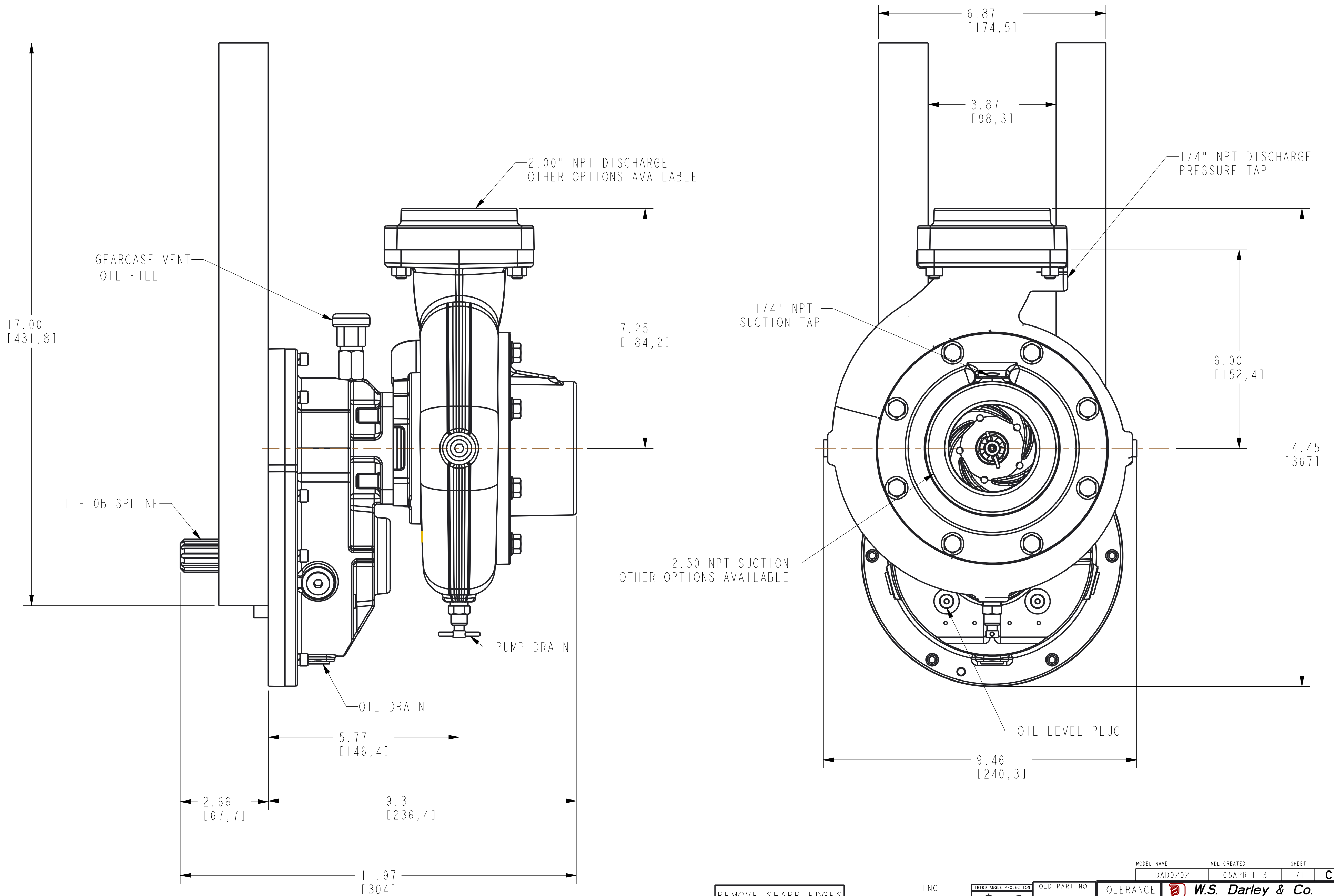


REVISIONS				
LTR	DESCRIPTION	DATE	CHG NO.	APPR'D



REMOVE SHARP EDGES		INCH [MILLIMETER]	THIRD ANGLE PROJECTION	OLD PART NO.	TOLERANCE EXCEPT AS NOTED .00 ± .03 .000 ± .010 ANGLES ± 1°	MODEL NAME DAD0202	MDL CREATED 05APRIL13	SHEET 1/1	C
MATERIAL DESCRIPTION:		MATERIAL NO.	PATTERN NO.	DWG - 2.5AG, PTO DIMENSIONAL		W.S. Darley & Co. TASCA, IL - CHIPPEWA FALLS, WI			
THIS DESIGN IS THE PROPERTY OF W.S. DARLEY AND CO. - UNAUTHORIZED REPRODUCTION IS PROHIBITED		ALL DIMENSIONS IN INCHES UNLESS NOTED		DO NOT SCALE PRINT		DR'N JAF	DATE 03-06-12	DAD0202	
						CHKD RJG	SCALE 1/2		
						TRCD			