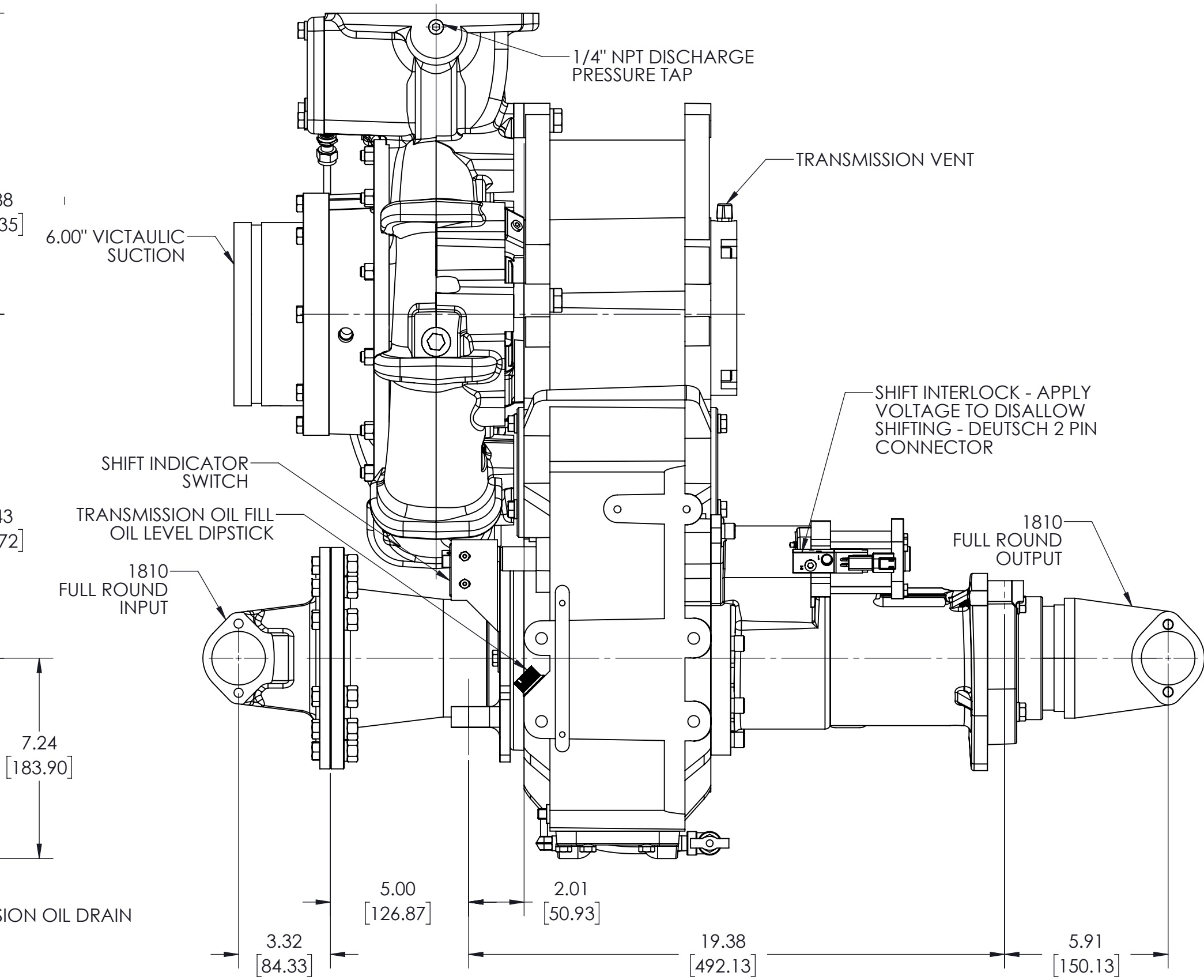
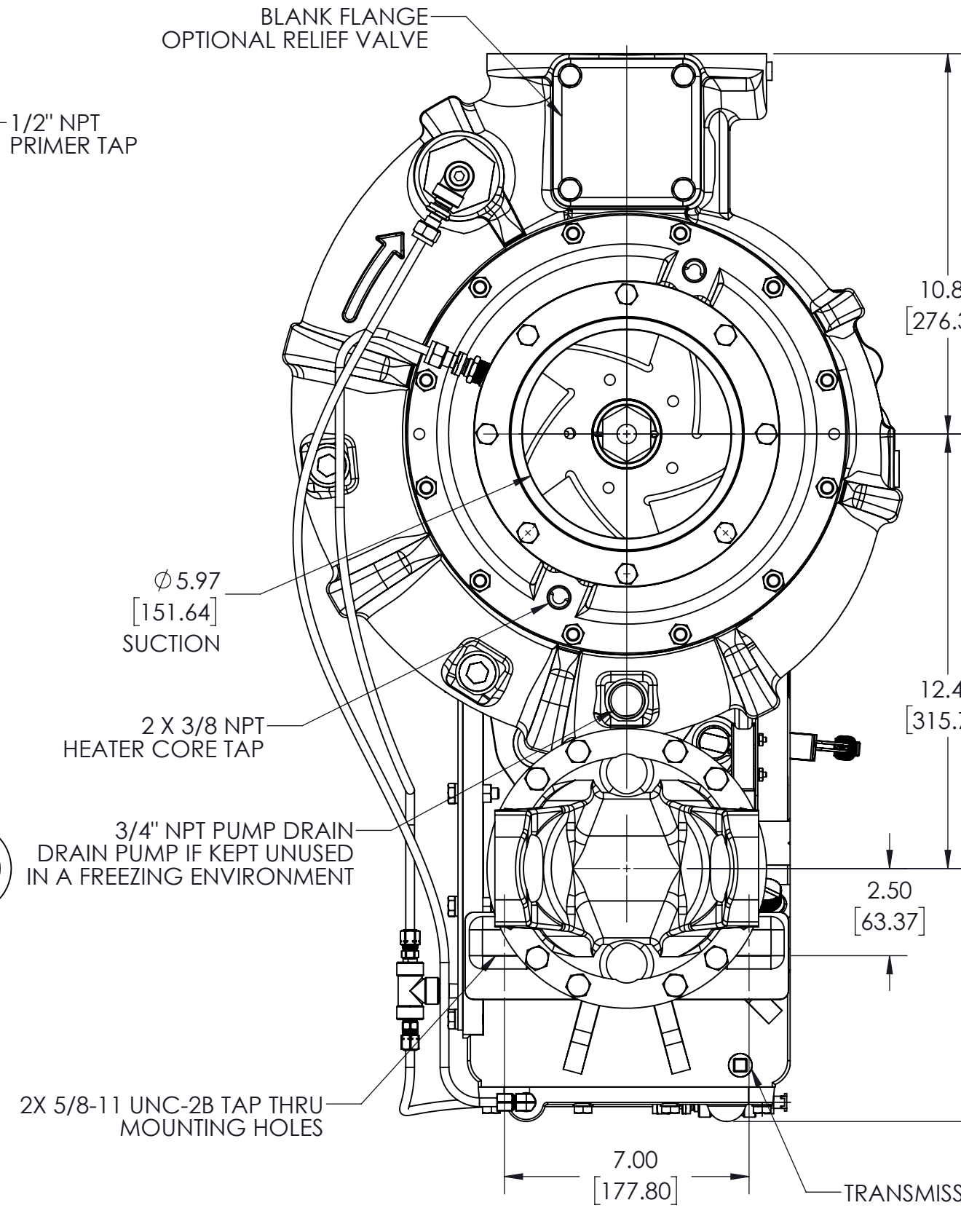
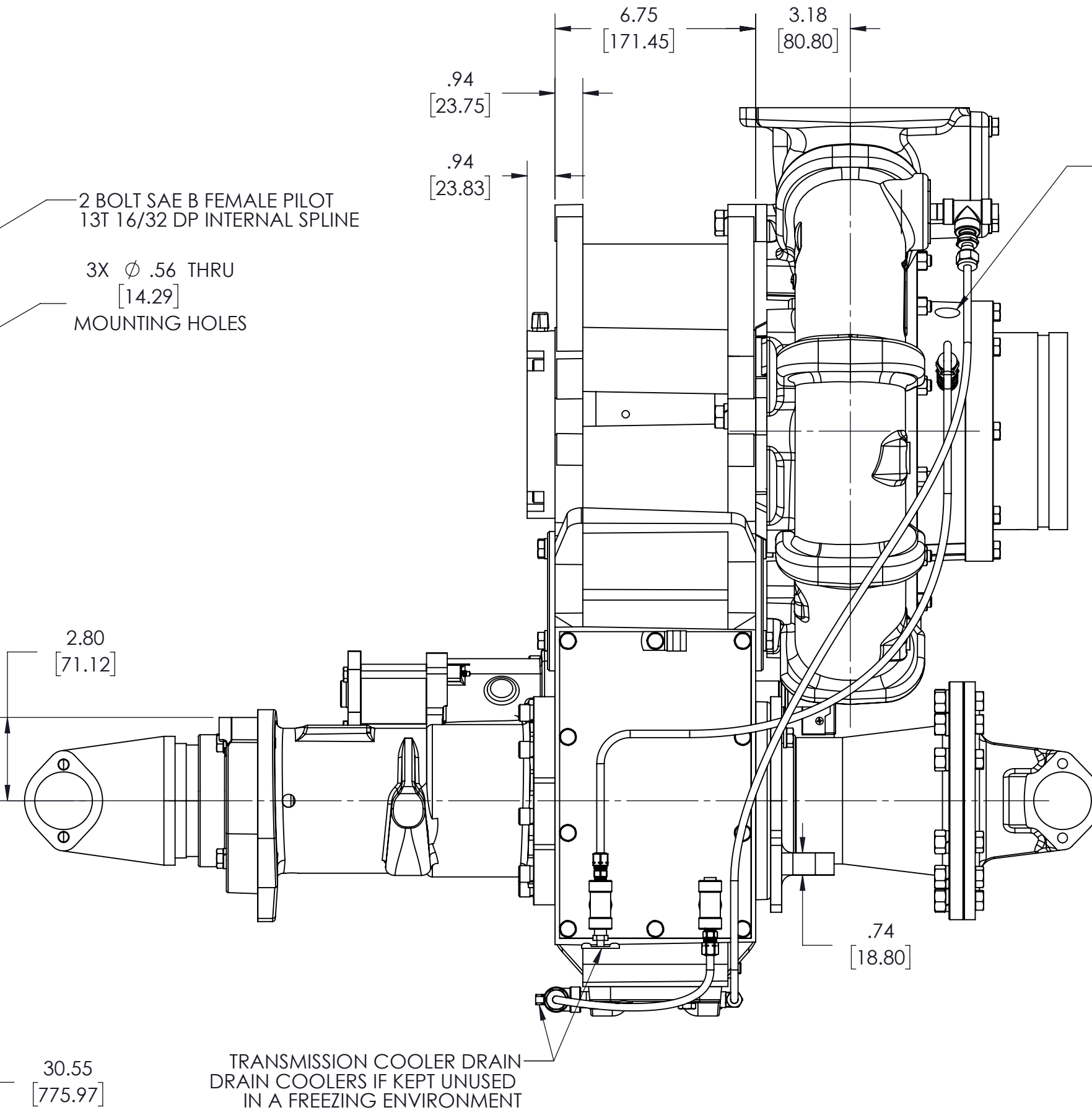
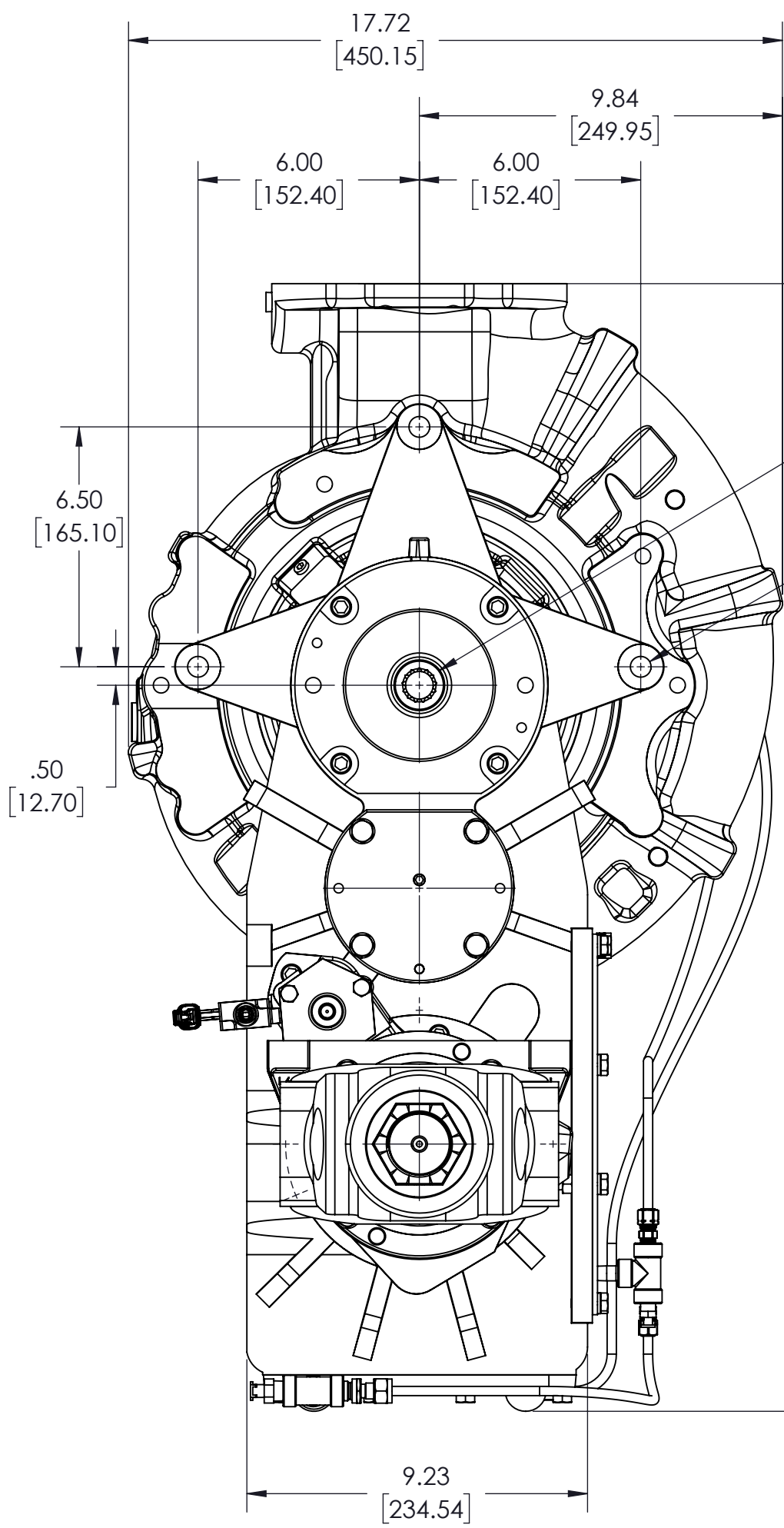
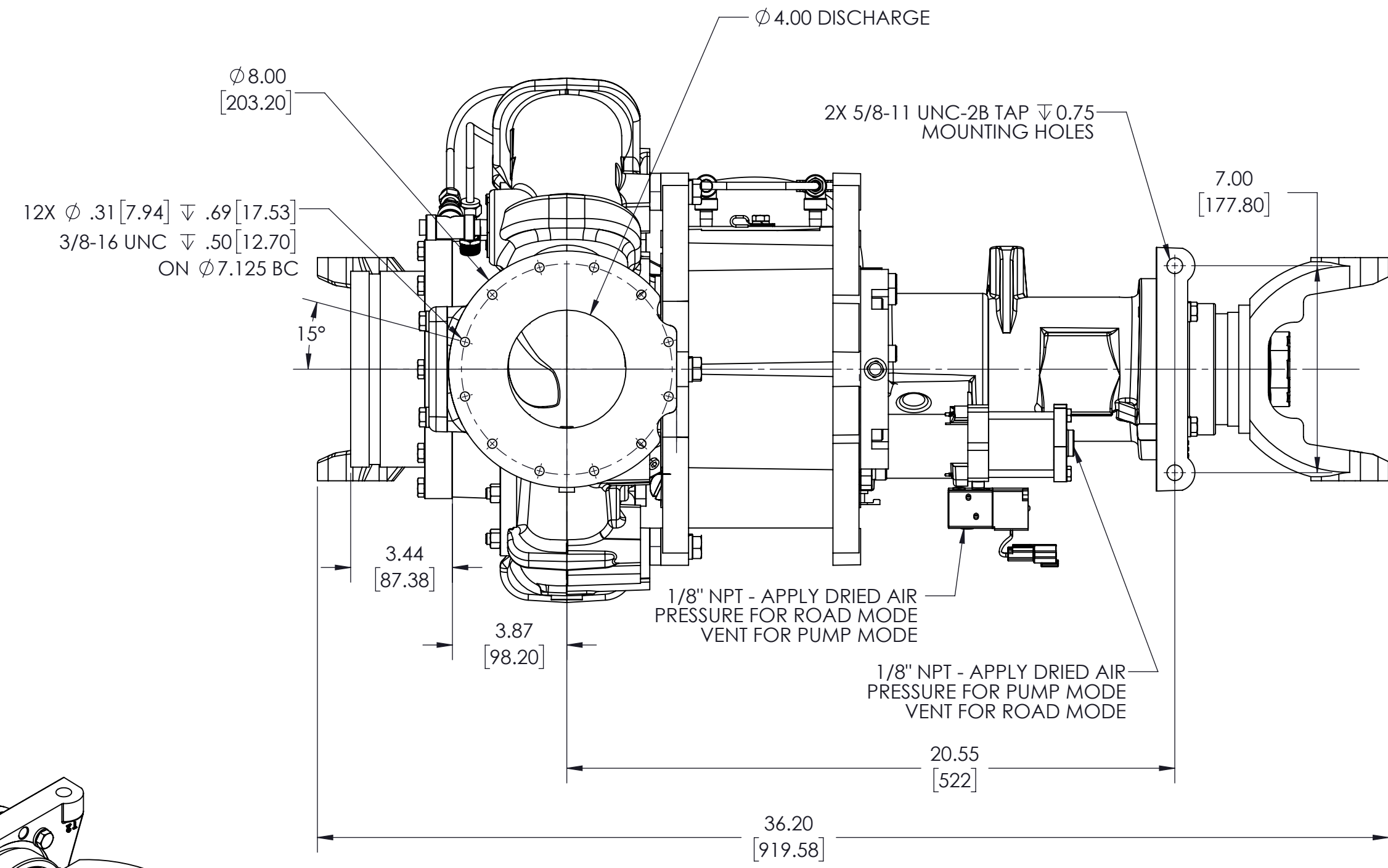
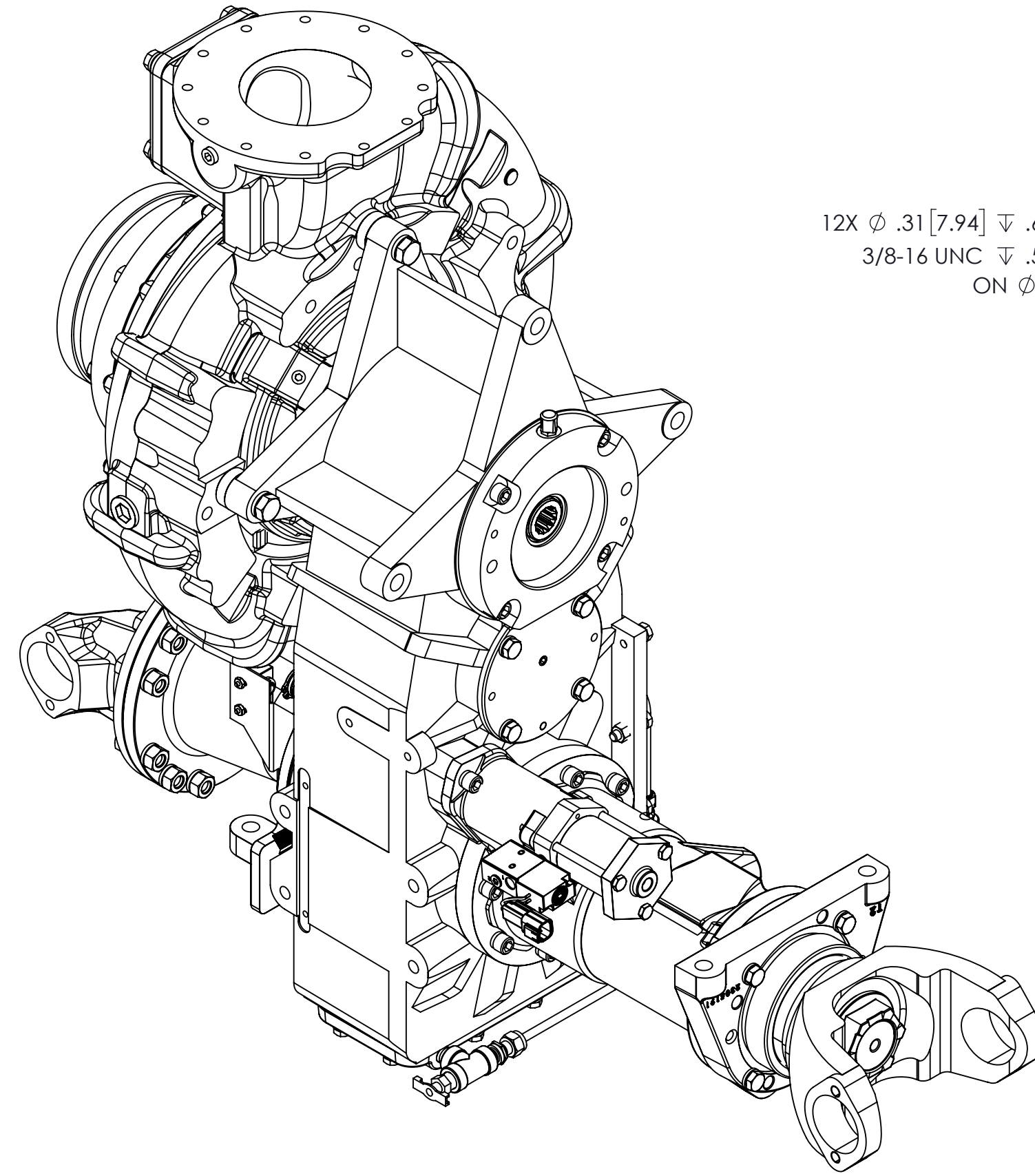
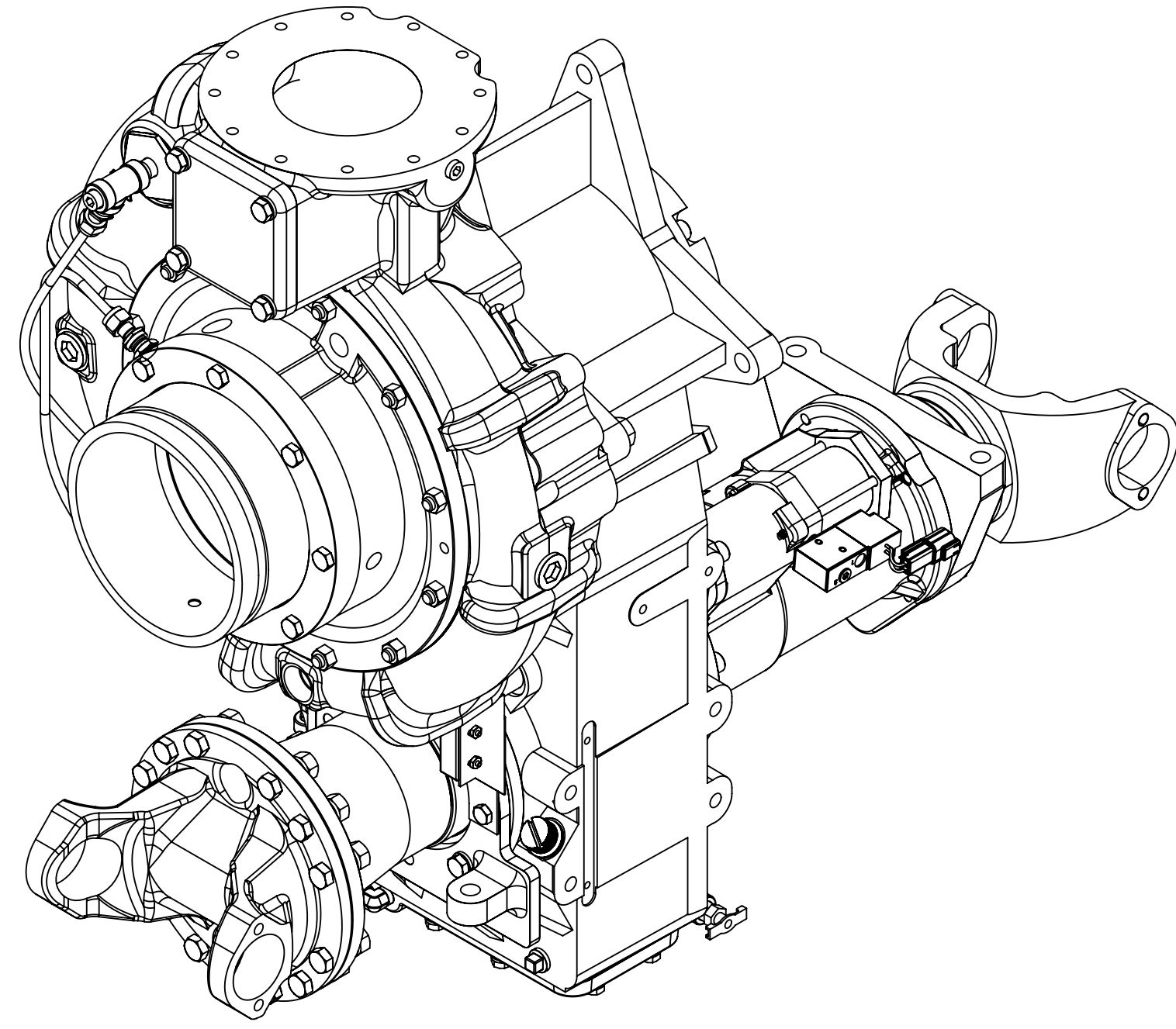


NOTES:  
1) ONLY SHIFT PUMP WHEN DRIVELINE IS NOT SPINNING

ASSEMBLIES SHOWN:  
CAST IRON PUMP - PT01002  
TRANSMISSION - TM00240  
CAST IRON GEAR CASE - 1804204  
INPUT FLANGE - AU01015  
OUTPUT FLANGE - 4813610  
TRANSMISSION COOLER - AM00401  
TRANSMISSION COOLER - AM00403  
GEAR RATIO 2.12:1 - KR07701  
RV FLANGE - YF00601  
PUMP SHIFT - AH00403  
NO BRAKE - AB00403  
SHIFT INTERLOCK - AH00600  
SUCTION - YF01504



REMOVE SHARP EDGES		INCH [MILLIMETER]		THIRD ANGLE PROJECTION		OLD PART NO.		TOLERANCE EXCEPT AS NOTED		MODEL		SHEET	
MATERIAL DESCRIPTION		MASS		MATERIAL NO.		PATTERN NO.		.00 ±.03 .000 ±.010 ANGLES ±1		DTD1016		1/1 D	
THIS DESIGN IS THE PROPERTY OF W.S. DARLEY CO. - UNAUTHORIZED REPRODUCTION IS PROHIBITED		538.92 LBS		ALL DIMENSIONS IN INCHES UNLESS NOTED		DWG - TSM, PUMP FORWARD 1810 FULL ROUND, VIC SUCTION		DRWN SMS CKHD WAH TRCD		DATE: 9/24/2021		SCALE: 1:4	
		DO NOT SCALE PRINT								DATE: 9/24/2021		DTD1016	

