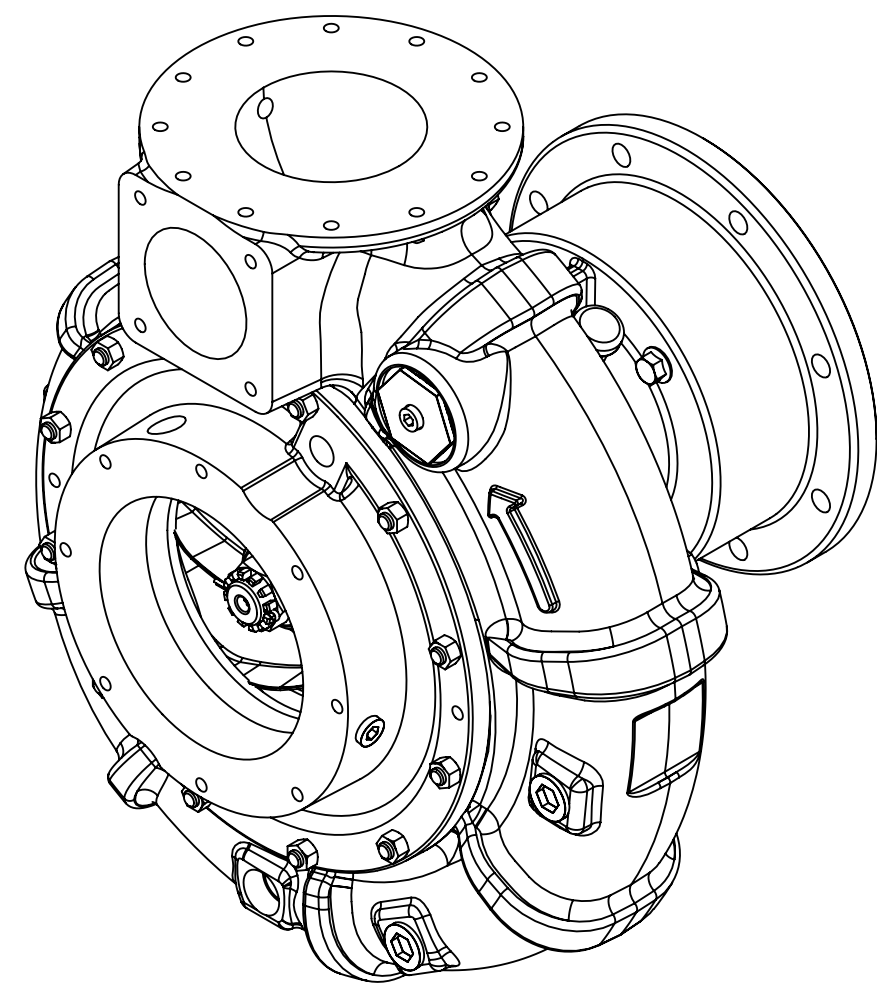
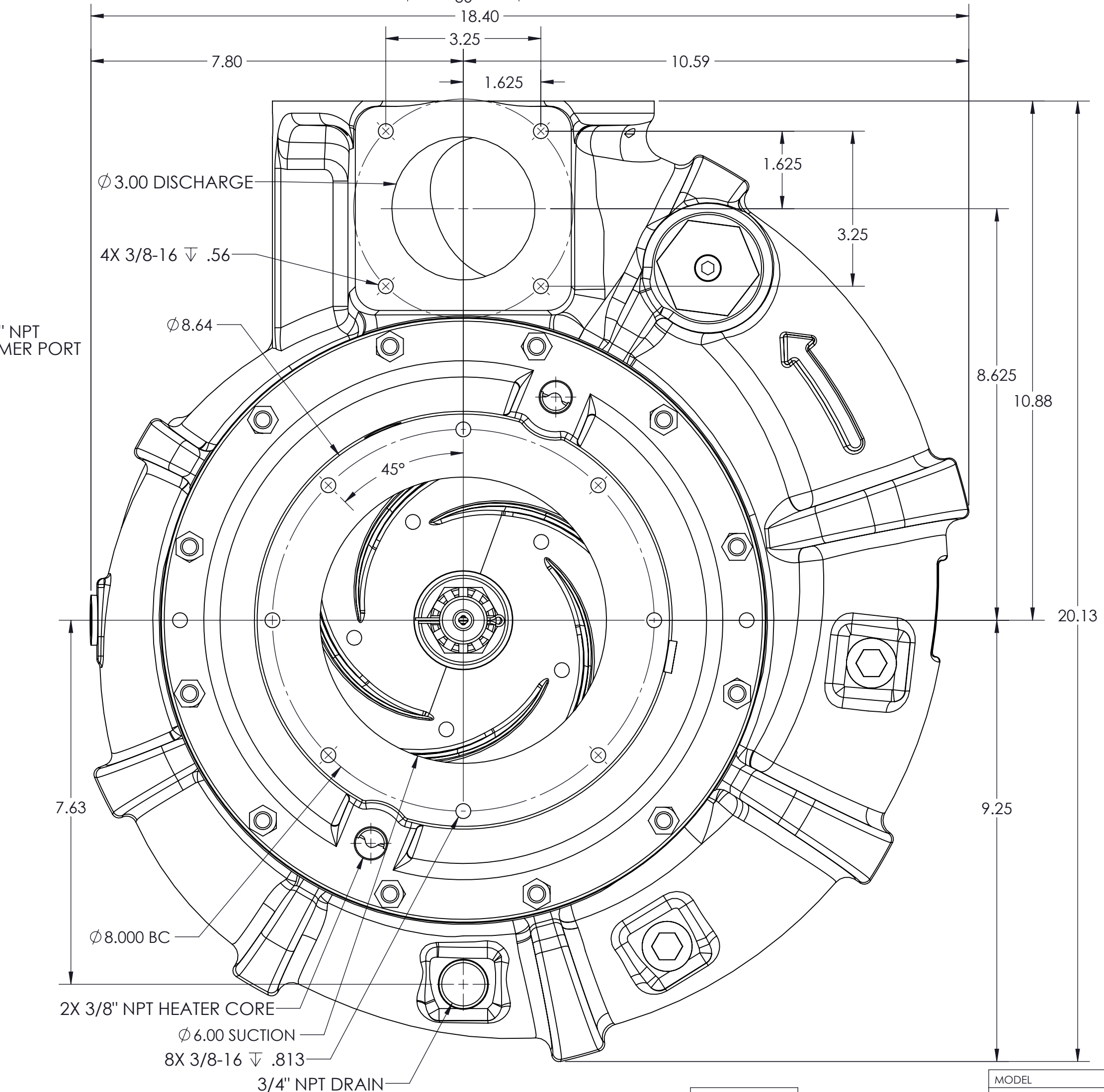
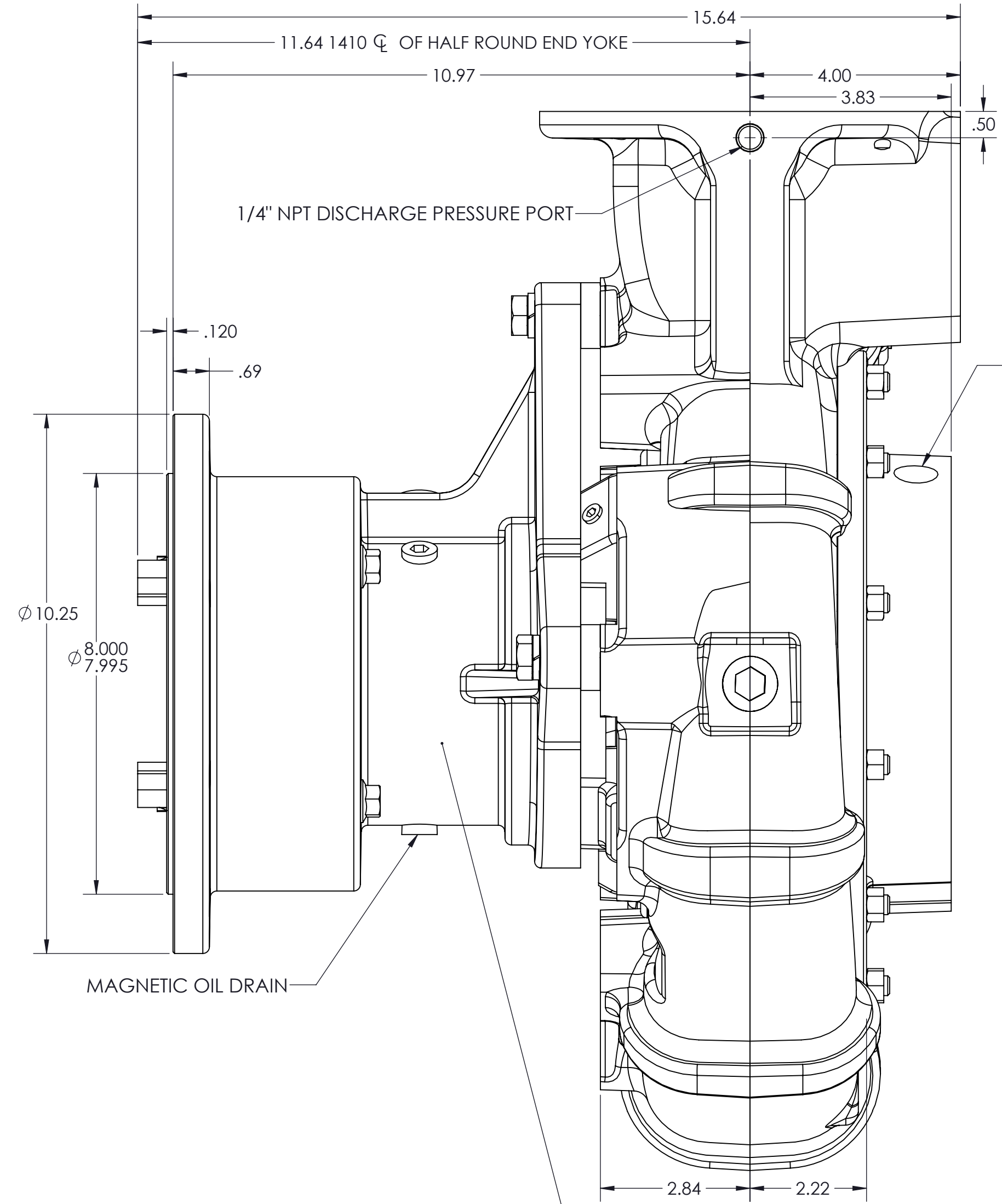
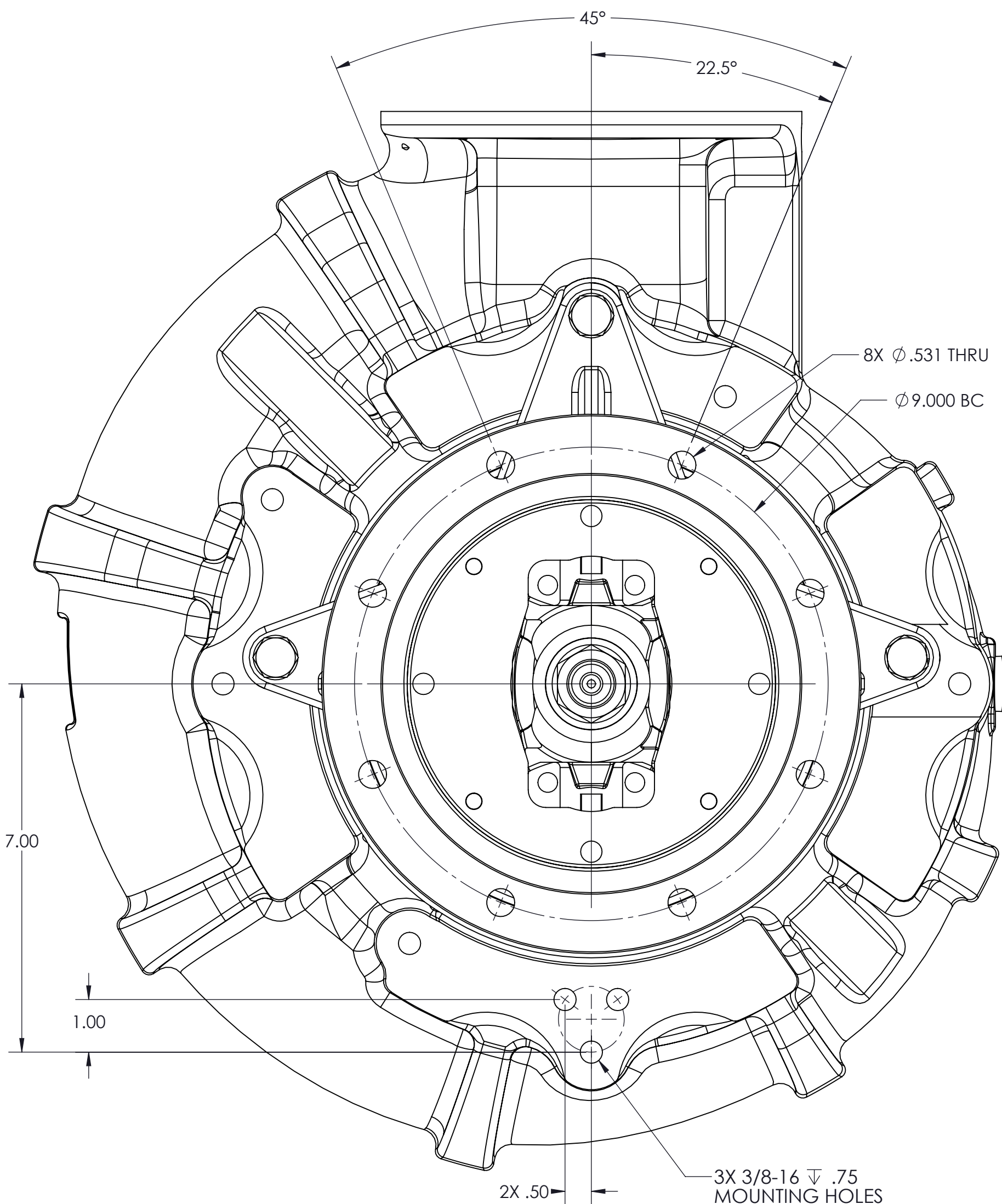
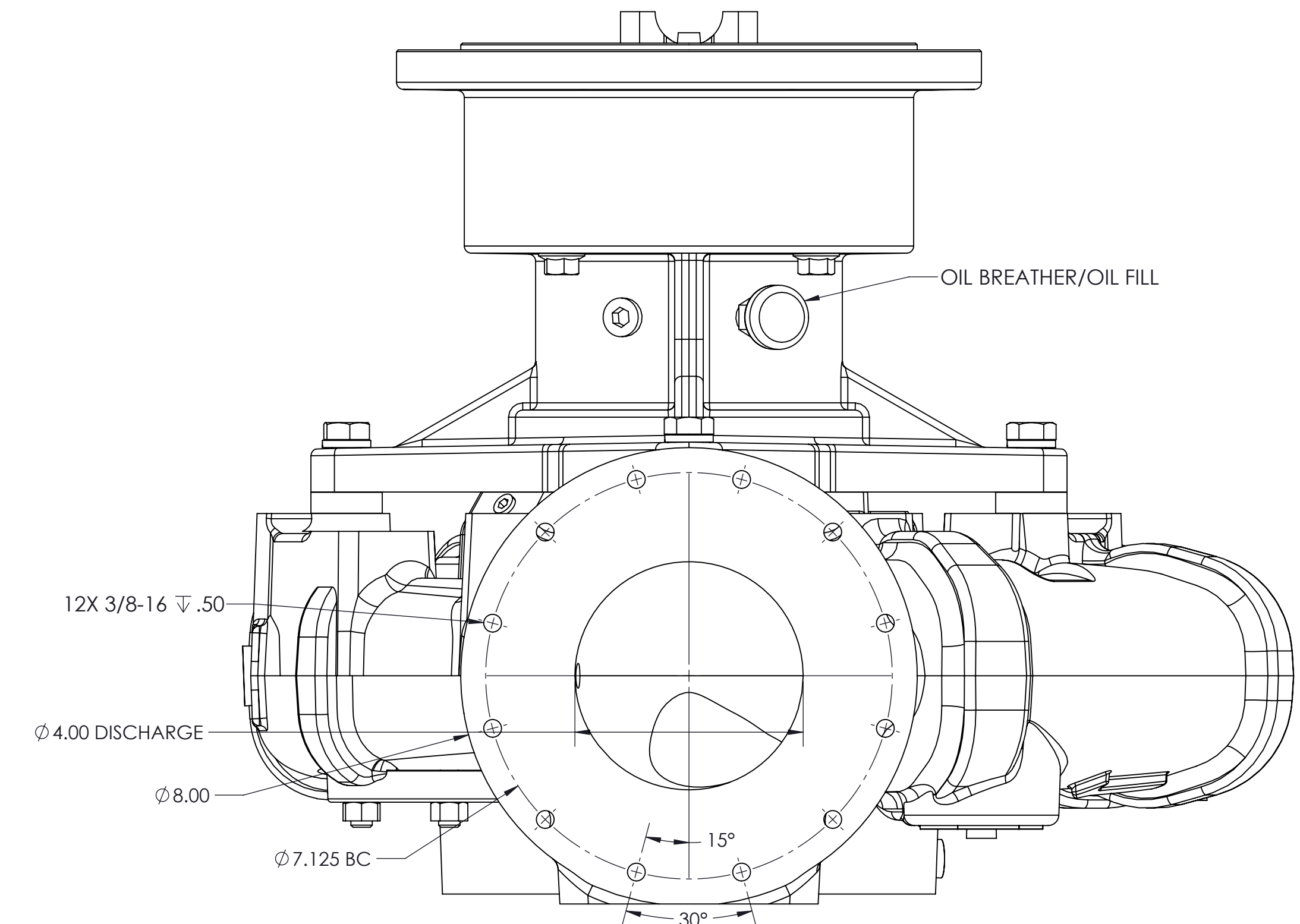


REVISIONS				
ZONE	REV.	DESCRIPTION	DATE	APPROVED
F8	c	REDRAWN DIMENSIONAL DRAWING	12/14/2020	12709



©



REMOVE SHARP EDGES		INCH [MILLIMETER]	THIRD ANGLE PROJECTION	OLD PART NO.	TOLERANCE EXCEPT AS NOTED	 ITASCA, IL CHIPPEWA FALLS, WI
MATERIAL DESCRIPTION		MASS	MATERIAL NO.	PATTERN NO.	.00 \pm .03 .000 \pm .010 ANGLES \pm 1°	
THIS DESIGN IS THE PROPERTY OF W.S. DARLEY CO. - UNAUTHORIZED REPRODUCTION IS PROHIBITED		259.22 LBS	ALL DIMENSIONS IN INCHES UNLESS NOTED		DRWN DWS/JJP	DWG - PSD/NO CLUTCH
			DO NOT SCALE PRINT		DATE: 02-JUL-10	DPD1401
					SCALE: 1:2	

MODEL	SHEET
DPD1401	1/1