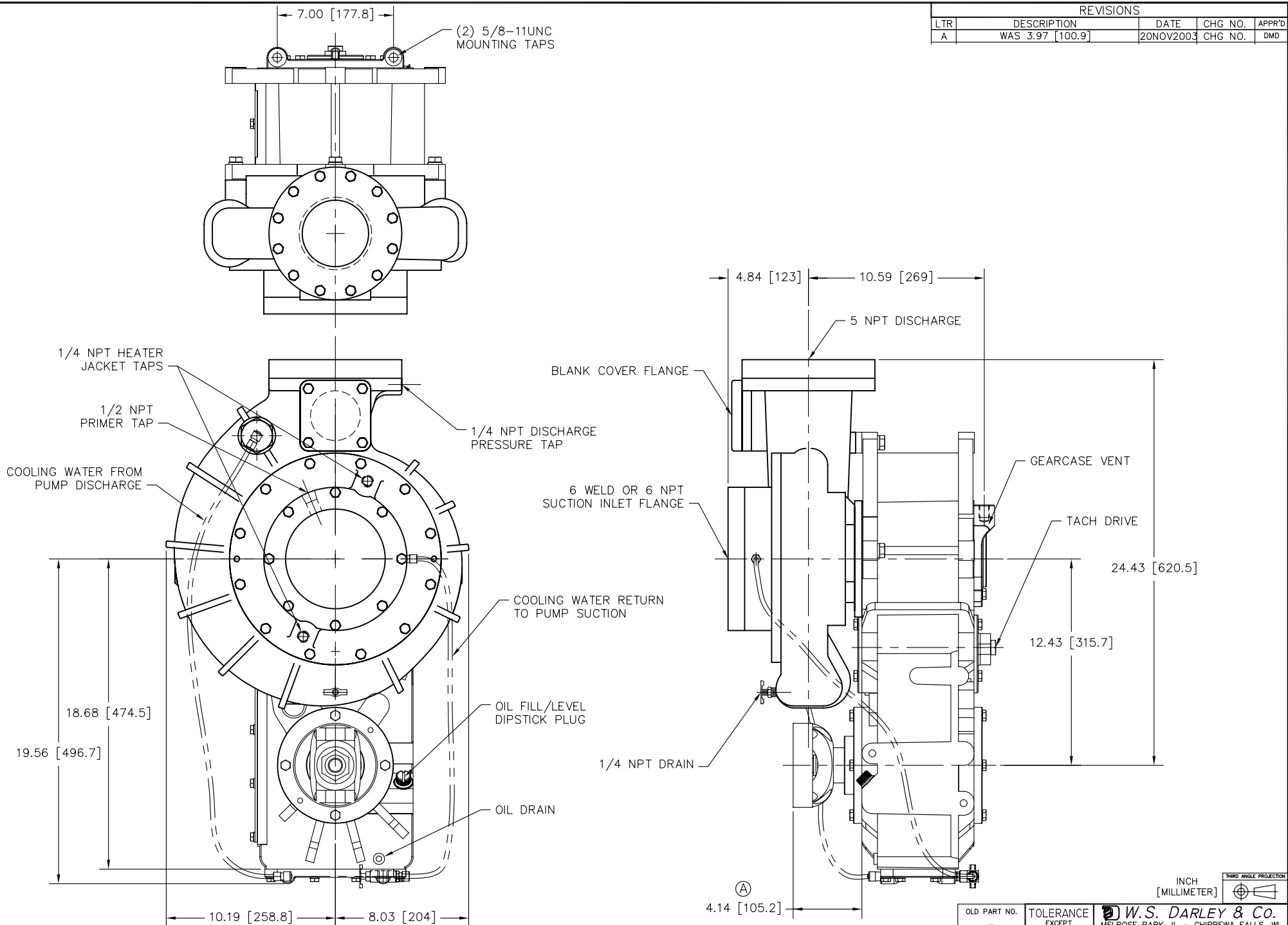


REVISIONS				
LTR	DESCRIPTION	DATE	CHG NO.	APPR'D
A	WAS 3.97 [100.9]	20NOV2003	CHG NO.	DMD



NOTE: OPTIONAL COOLER SHOWN.  
COOLER STANDARD ON 1500 GPM RATING.

REMOVE SHARP EDGES

MATERIAL DESCRIPTION:	-	MATERIAL NO.	-	PATTERN NO.	-	OLD PART NO.	-	TOLERANCE EXCEPT AS NOTED .00 ±.03 .000 ±.010 ANGLES ±1°	W.S. DARLEY & Co. MELROSE PARK, IL - CHIPPEWA FALLS, WI
THIS DESIGN IS THE PROPERTY OF W.S. DARLEY AND CO. - UNAUTHORIZED REPRODUCTION IS PROHIBITED				ALL DIMENSIONS IN INCHES UNLESS NOTED		DO NOT SCALE PRINT		DR'N JSS CHKD CKE TRCD	DWG - PSP 3 GEAR DIMENSIONAL DATE AUG28,03 SCALE 1/4

INCH [MILLIMETER]

DPD1101