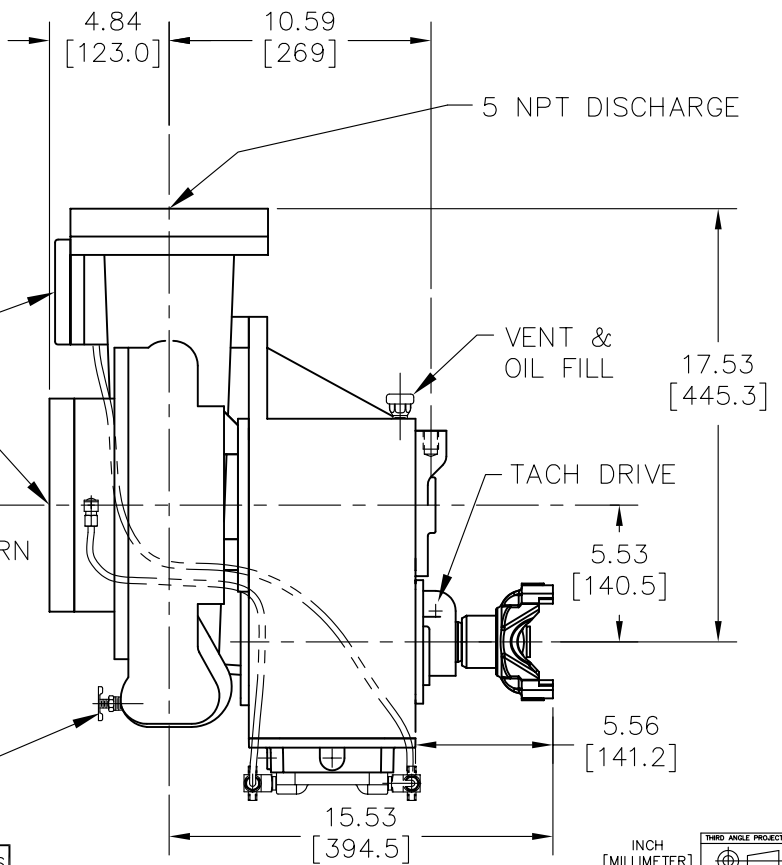
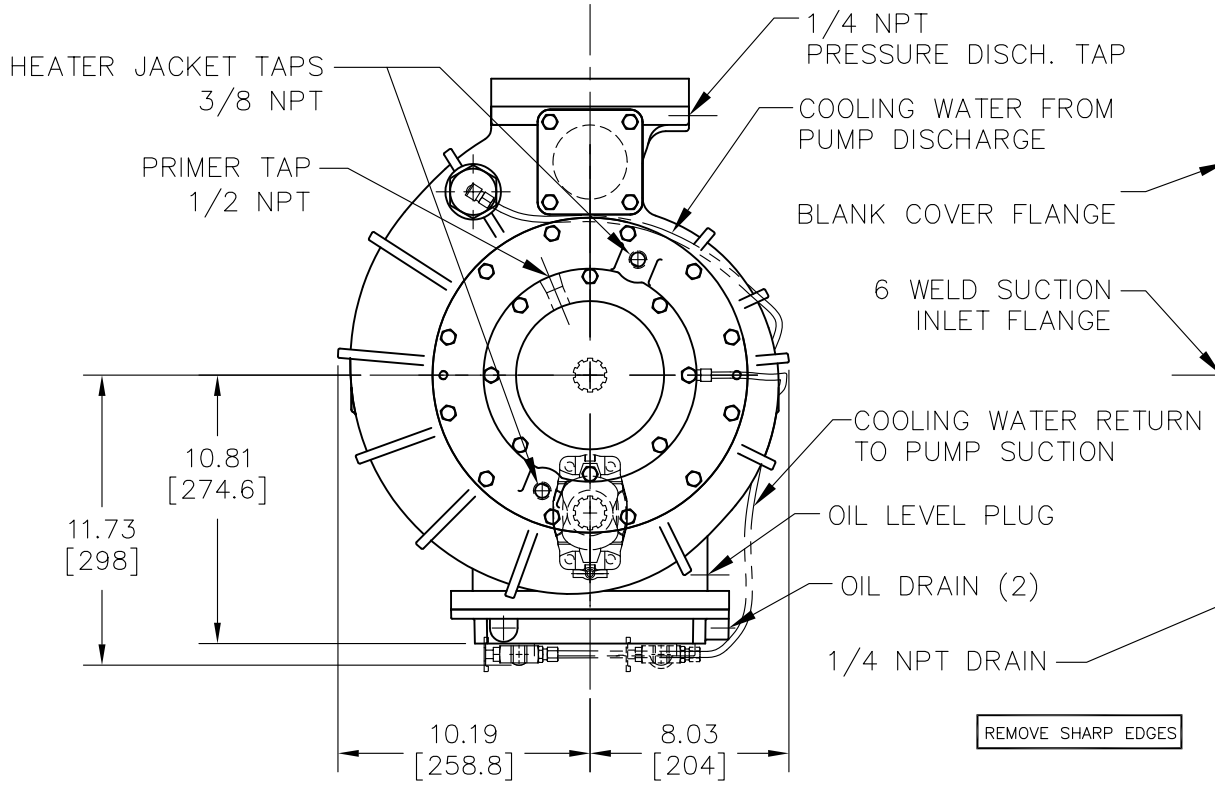
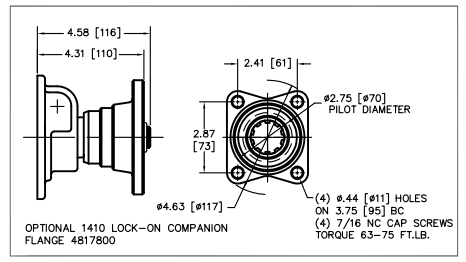
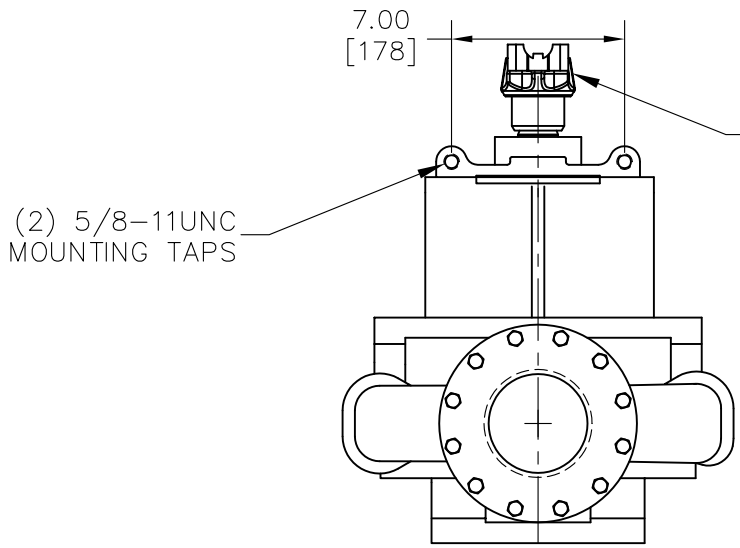


REVISIONS				
LTR	DESCRIPTION	DATE	CHG NO.	APPR'D
A	UPDATED GEARCASE VENT	10JUN03	-	JSS



NOTE: OPTIONAL COOLER SHOWN.
COOLER STANDARD ON 1500 GPM RATING.

MATERIAL DESCRIPTION:		MATERIAL NO.	PATTERN NO.	OLD PART NO.	TOLERANCE EXCEPT AS NOTED .00 ±.03 .000 ±.010 ANGLES ±1°	W.S. DARLEY & CO. MELROSE PARK, IL - CHIPPEWA FALLS, WI	
THIS DESIGN IS THE PROPERTY OF W.S. DARLEY AND CO. - UNAUTHORIZED REPRODUCTION IS PROHIBITED		ALL DIMENSIONS IN INCHES UNLESS NOTED		DO NOT SCALE PRINT	DR'N JSS CHKD MCR TRCD	DATE APR23,03	DWG - PSP 2 GEAR DIMENSIONAL
						SCALE 1/4	DPDI100