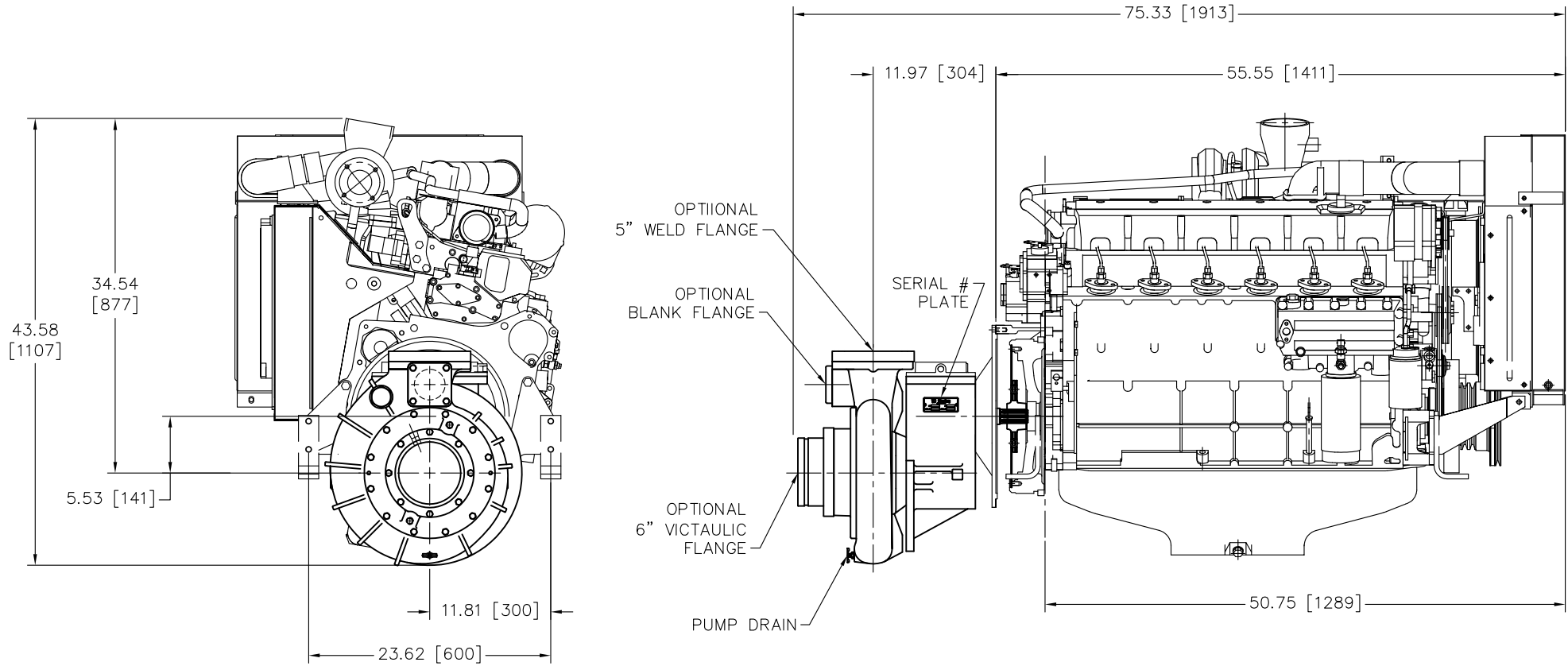
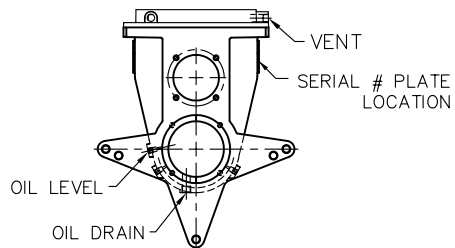


REVISIONS				
LTR	DESCRIPTION	DATE	CHG NO.	APPR'D
(A)	UPDATED VIEW FOR CLARIFICATION	21SEP,04	2004-240	CKE



INVERTED GEAR CASE (A)
AS VIEWED FACING PUMP



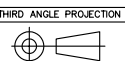
THIS DESIGN IS THE PROPERTY OF
W.S. DARLEY AND CO. - UNAUTHORIZED
REPRODUCTION IS PROHIBITED

ALL DIMENSIONS IN
INCHES UNLESS NOTED

DO NOT SCALE PRINT

TOLERANCE EXCEPT AS NOTED	DR'N CKE	DATE 18OCT,2002
FRAC DIM ±.01	CHKD MCR	SCALE 1/8
.000 ±.005	TRCD	
ANGLES ±1°		

INCH
[MILLIMETER]



W.S. DARLEY & CO.
MELROSE PARK, IL - CHIPPEWA FALLS, WI

DWG - PSE, 2 GEAR, INVERTED
DIMENSIONAL, DEUTZ BF6M1013C

DPDI000