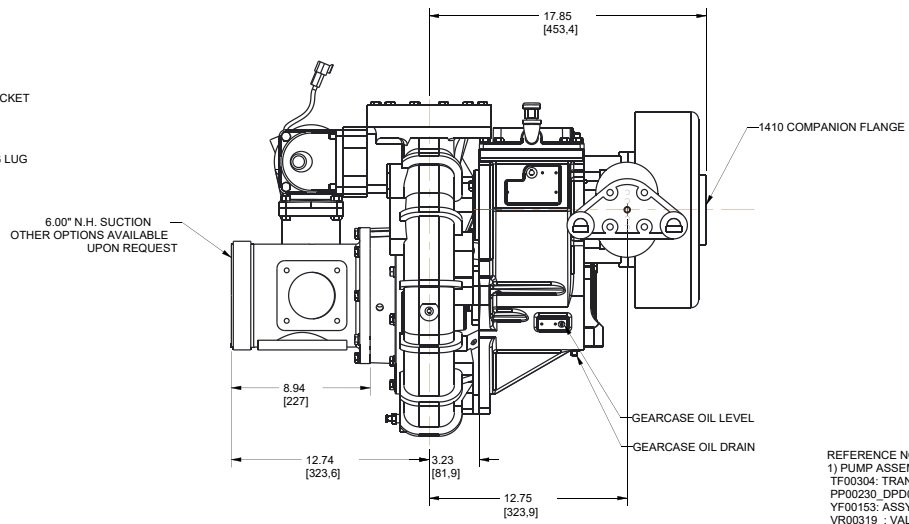
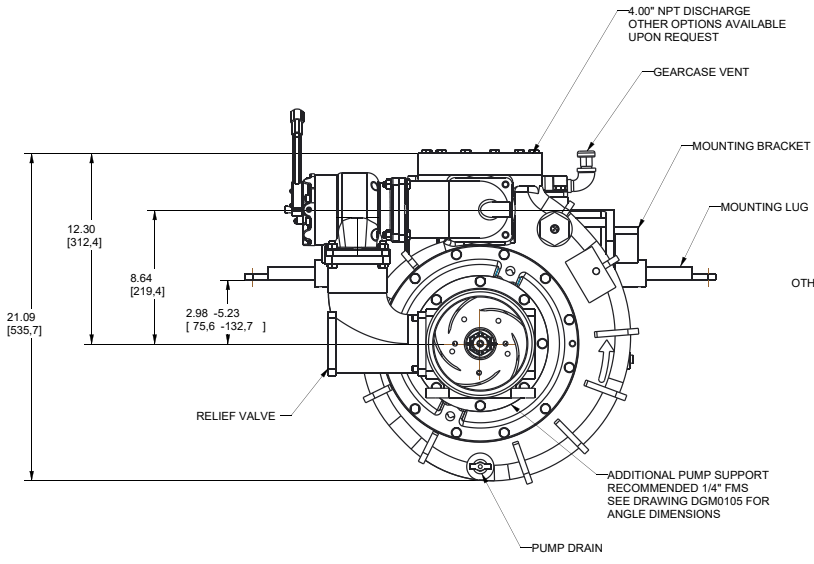
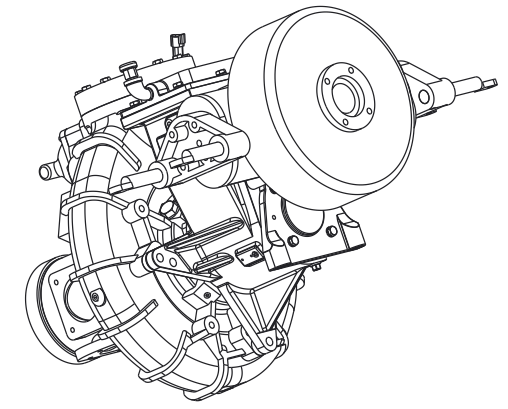
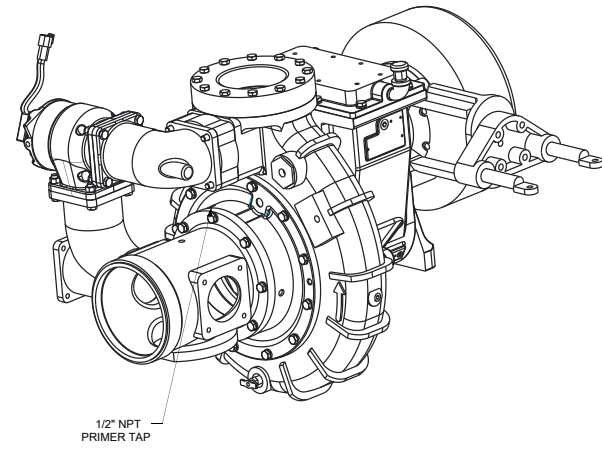
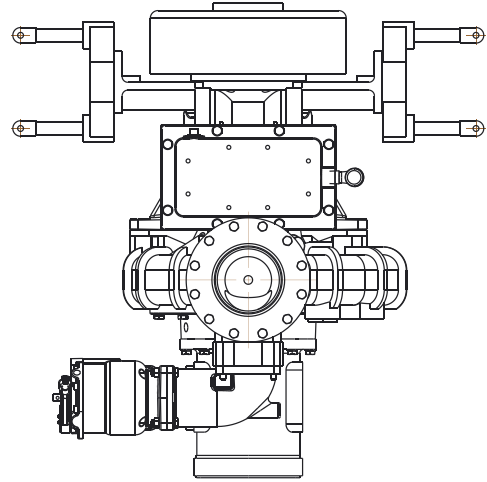


REVISIONS				
LTR	DESCRIPTION	DATE	CHG NO.	APPROV



REFERENCE NOTES:  
 1) PUMP ASSEMBLY IS SHOWN WITH THE FOLLOWING SUB-ASSEMBLIES  
 TF00304: TRANS - PSF, FT MT, 2 GEAR  
 PP00230, DPD0309: PUMP-PS, RH, 1500 MECH CARB RE  
 YF00153: ASSY - FLANGE, 4" NPT, O-RING  
 YR00319 : VALVE - 3" R.V. PSF REMOTE  
 KC00509: KIT - PS SUCT NPL, 6" NH

REMOVE SHARP EDGES	INCH [MILLIMETER]	OLD PART NO.	TOLERANCE EXCEPT AS NOTED	W.S. Dane & Co.
MATERIAL DESCRIPTION		MATERIAL NO.	PATTERN NO.	DWG - PSF-IC DIMENSIONAL INVERTED GEARCASE
THIS DESIGN IS THE PROPERTY OF W.S. DANE & CO. UNAUTHORIZED REPRODUCTION IS PROHIBITED.	ALL DIMENSIONS IN INCHES UNLESS NOTED	DO NOT SCALE PRINT	DATE: 24-OCT-18	SCALE: 1/1
				DPD0309