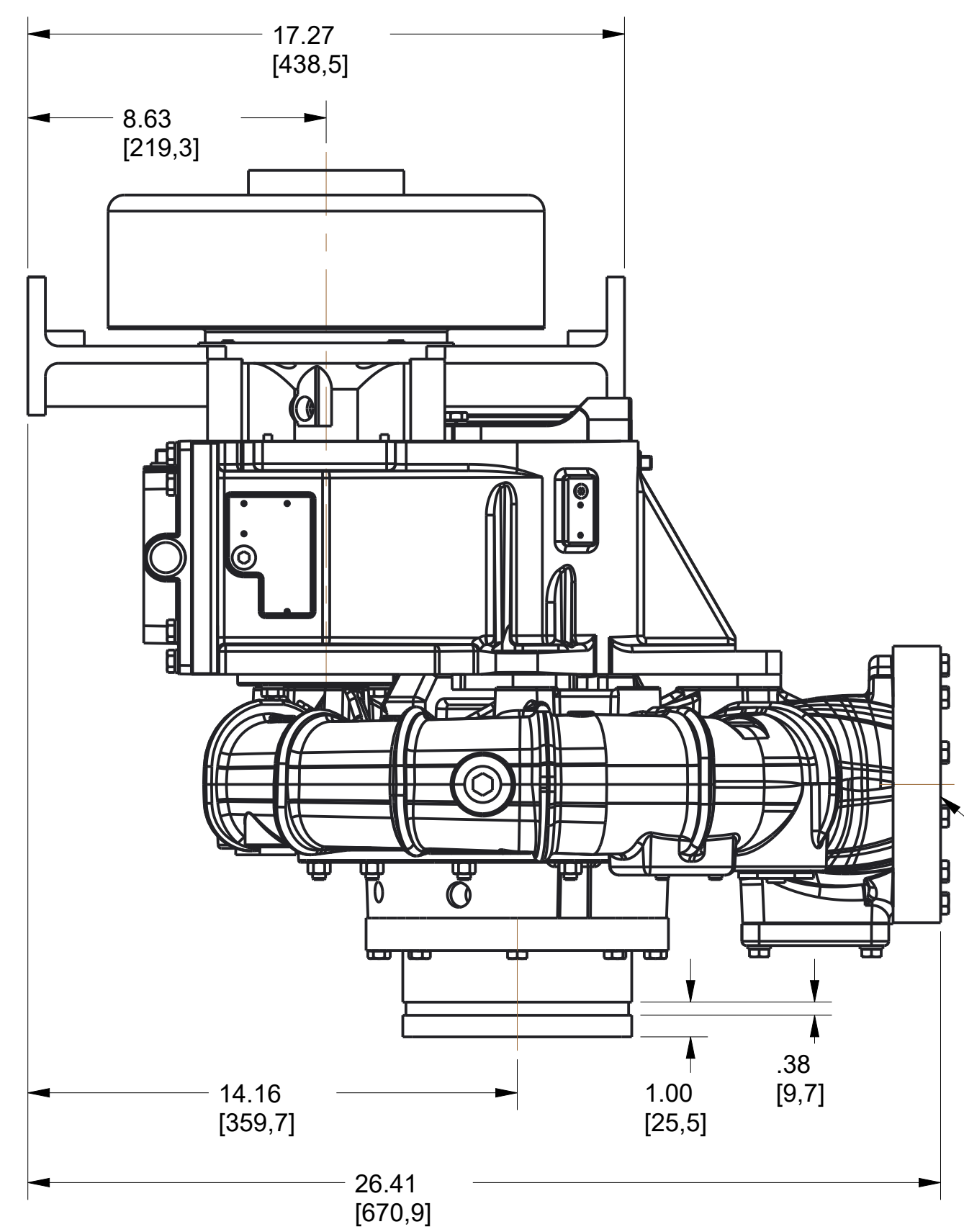
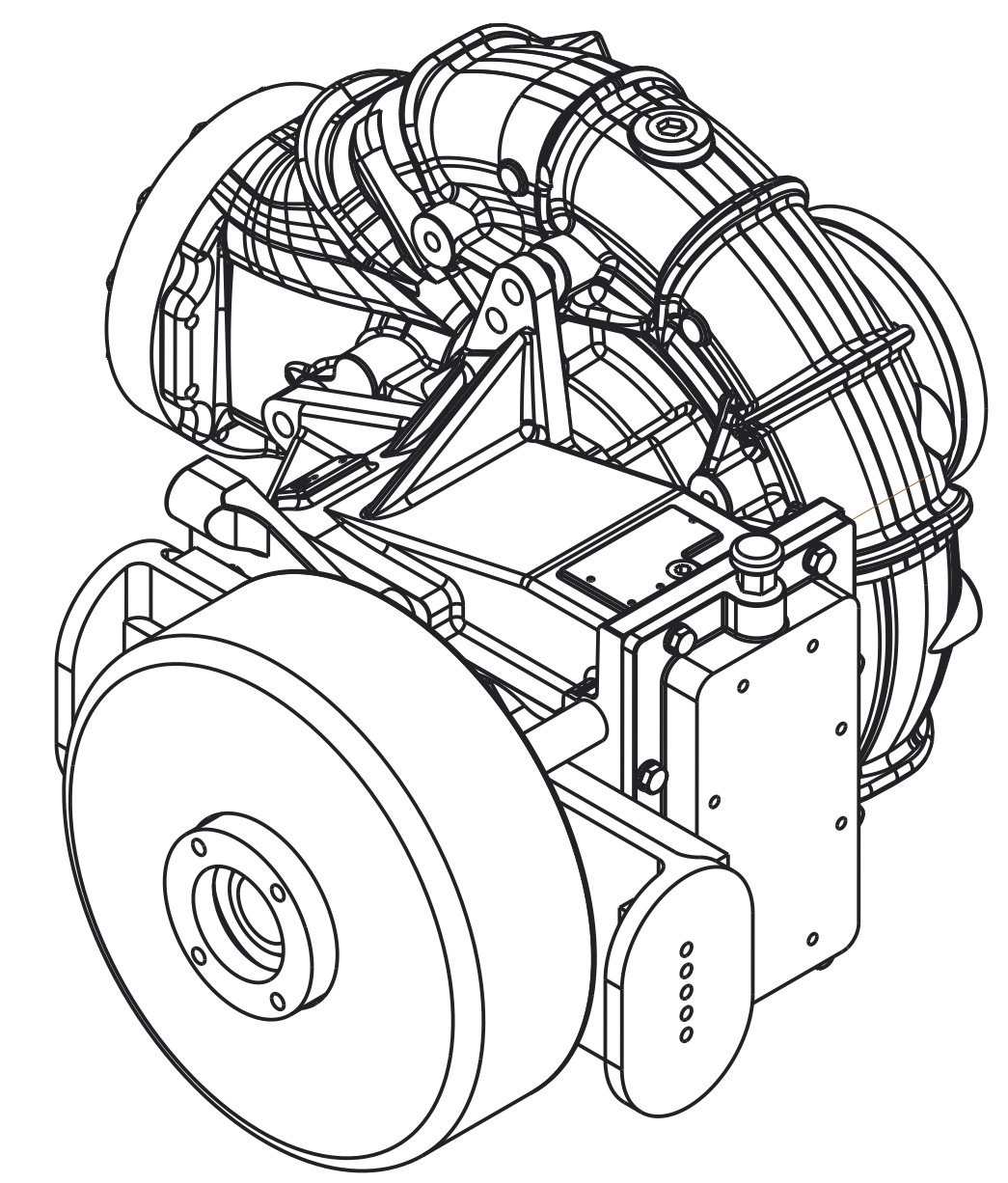
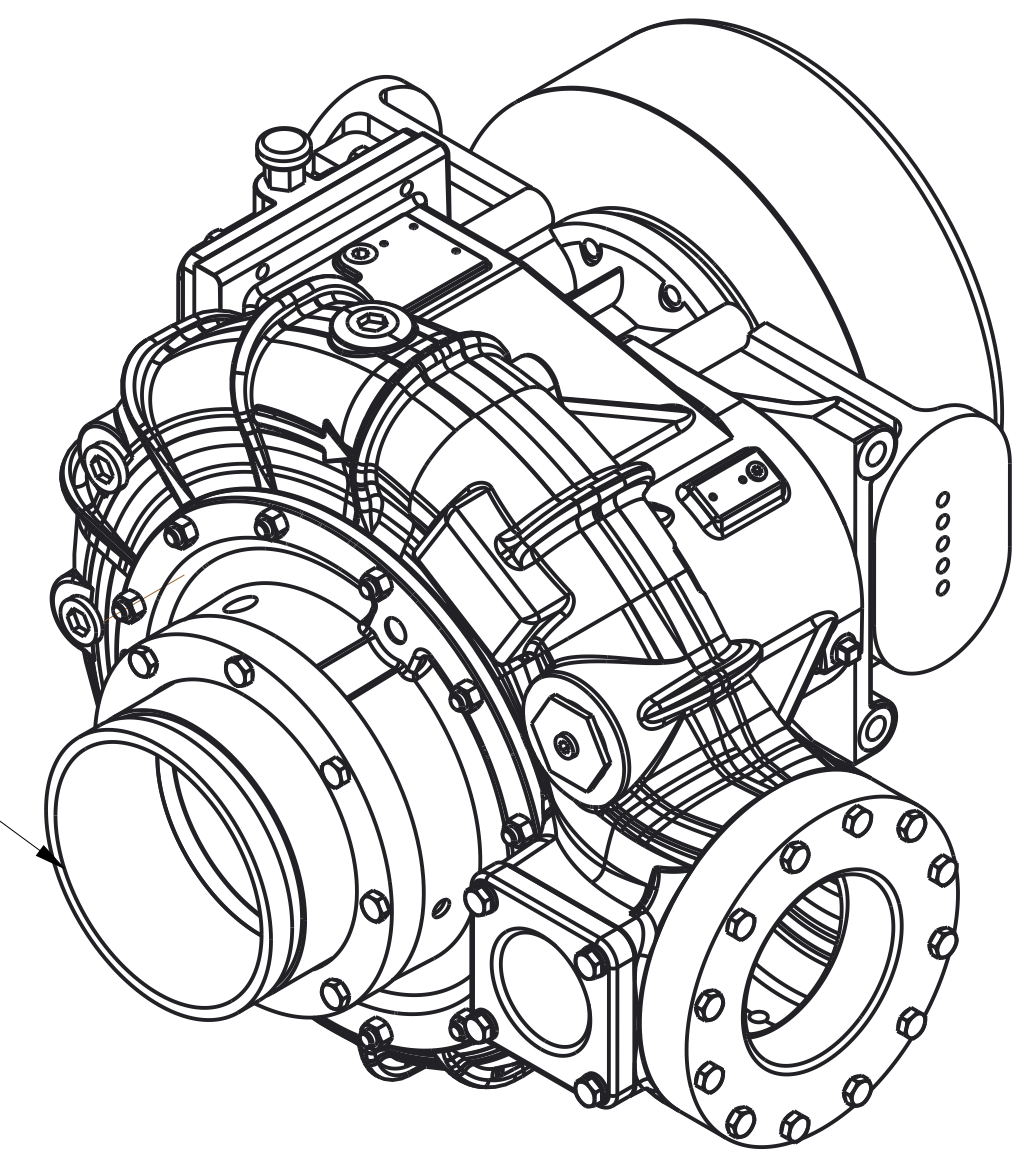


REVISIONS				
LTR	DESCRIPTION	DATE	CHG NO.	APPRD



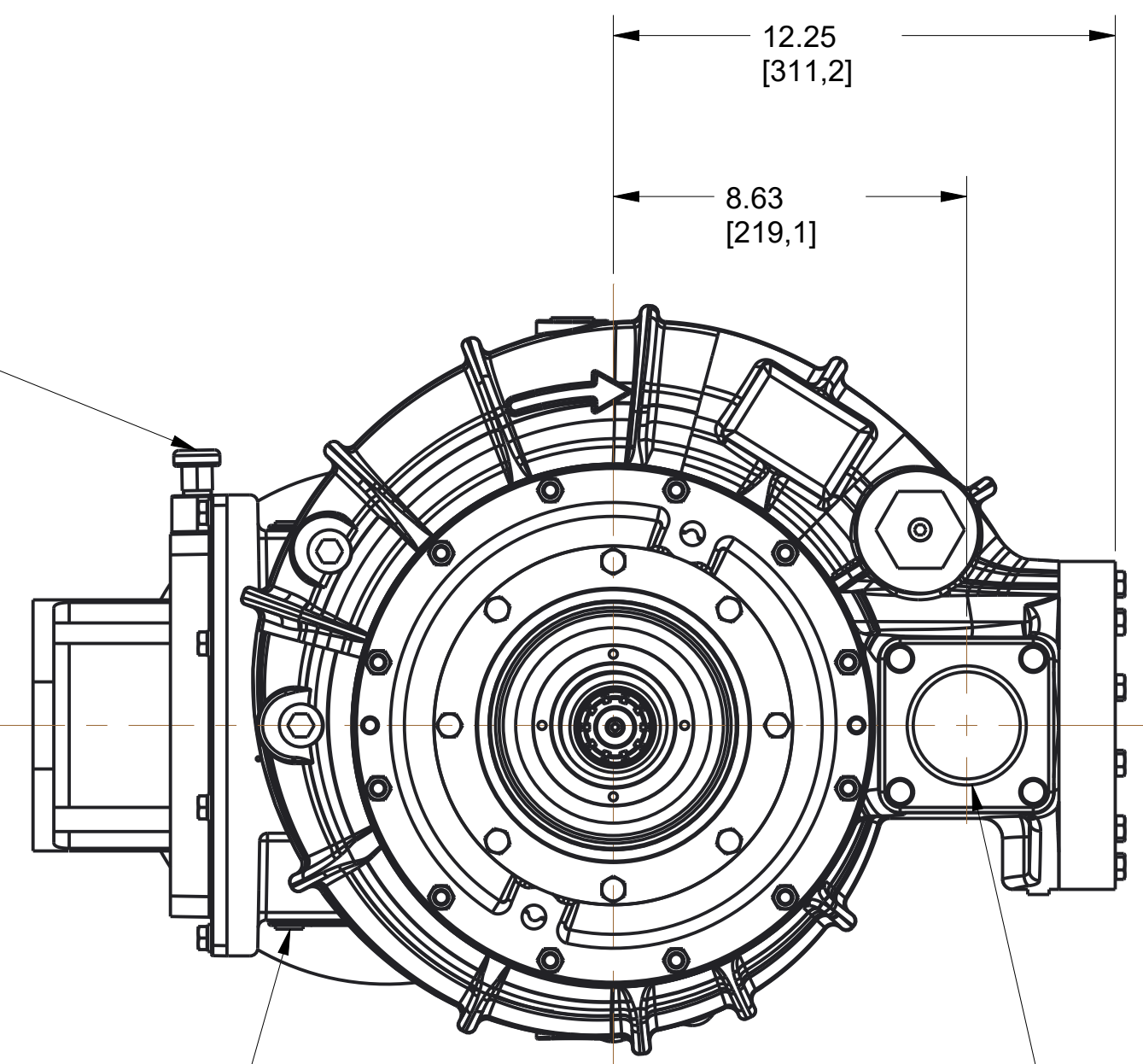
6" VICTAULIC STYLE SUCTION (OPTIONAL)

4.00" NPT DISCHARGE
OTHER OPTIONS AVAILALBE
UPON REQUEST



TRANSMISSION VENT

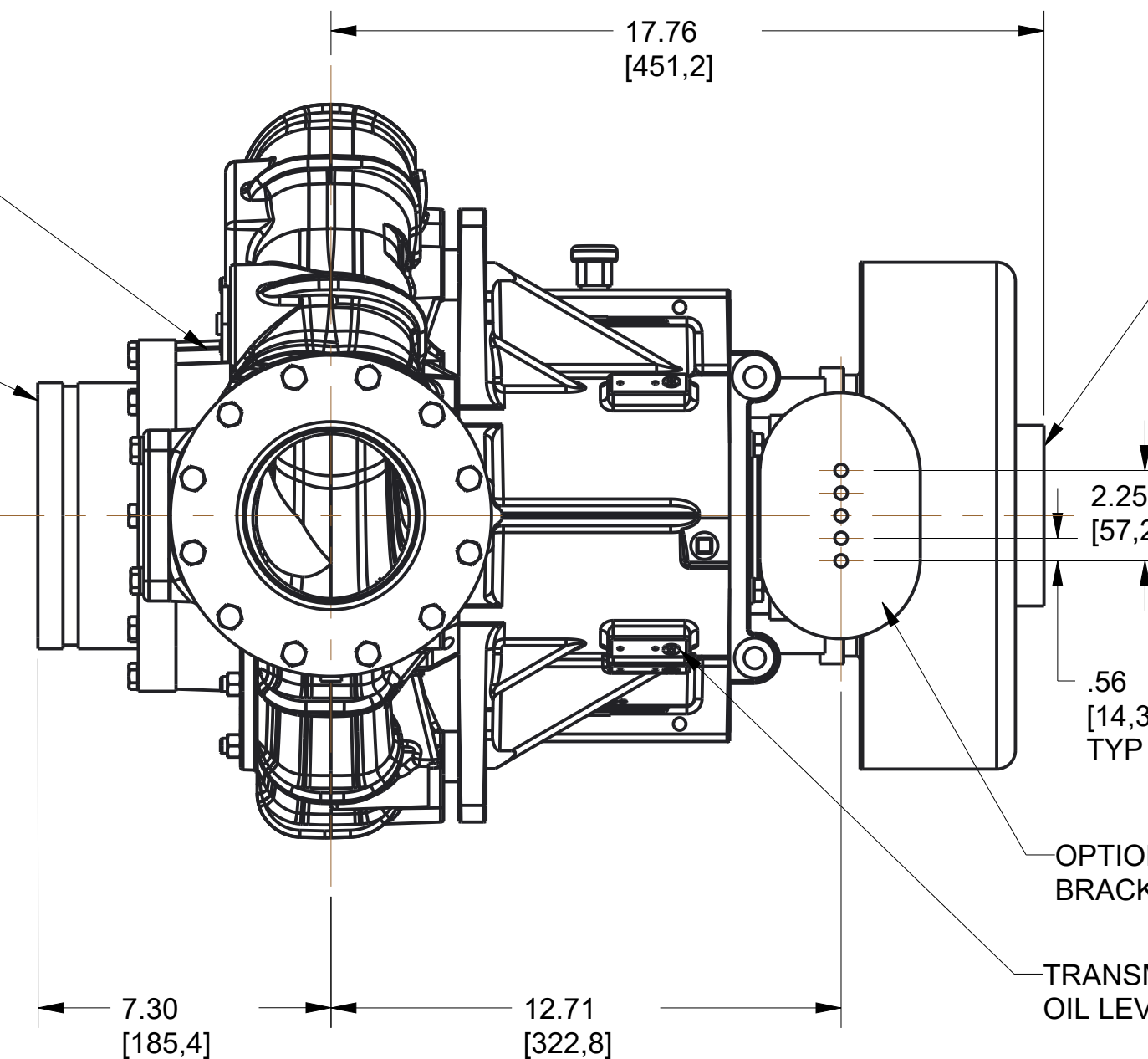
TRANSMISSION OIL DRAIN



OPTIONAL RELIEF VALVE

1/2 PRIMER TAP

6.00" VICTAULIC SUCTION
OTHER OPTIONS AVAILABLE
UPON REQUEST



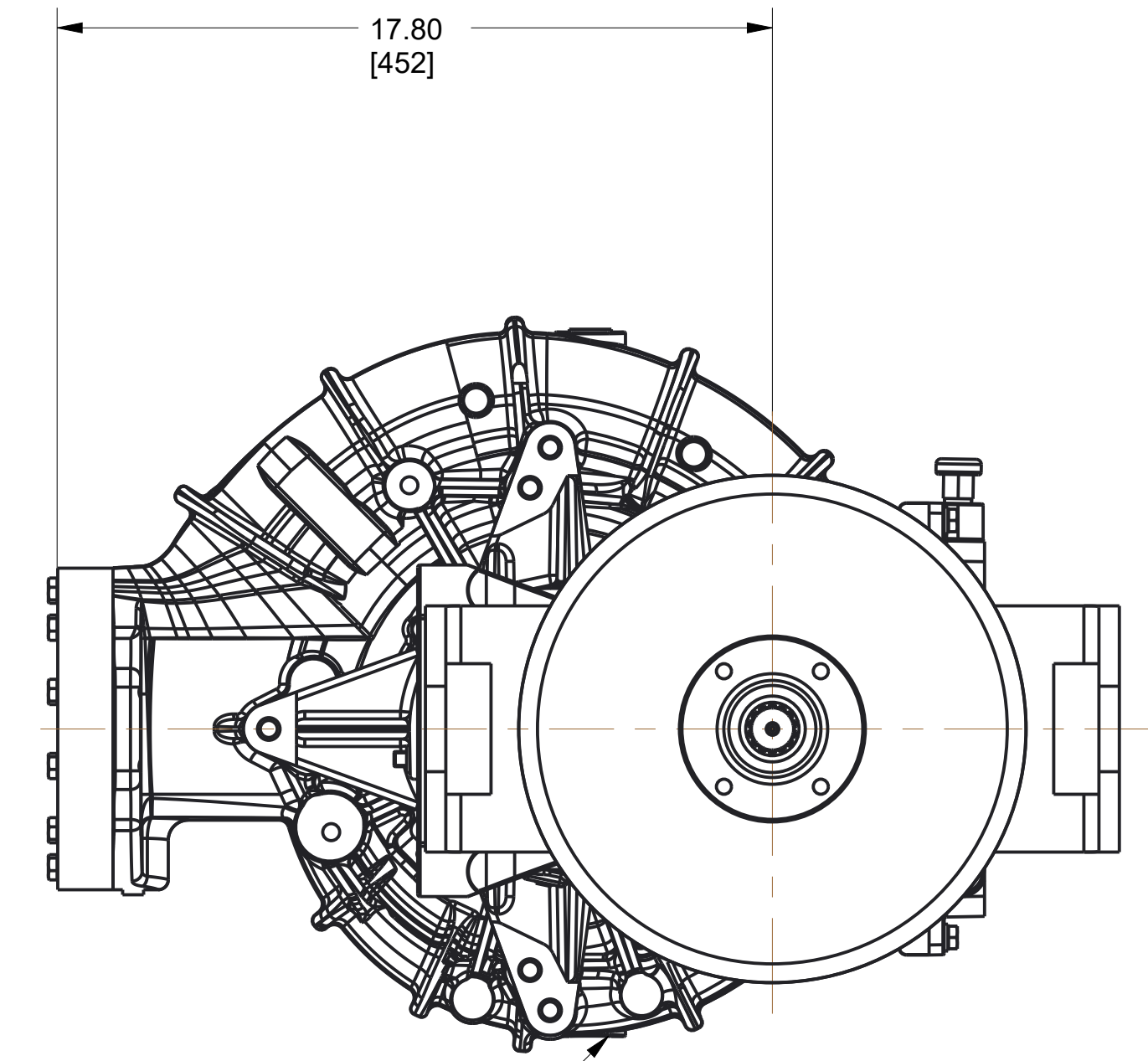
1410 COMPANION FLANGE

2.25 [57,2]

.56 [14,3] TYP

OPTIONAL MOUNTING BRACKET FACE

TRANSMISSION OIL LEVEL



PUMP DRAIN

REMOVE SHARP EDGES

INCH [MILLIMETER]



OLD PART NO.

TOLERANCE EXCEPT AS NOTED

W.S. Darley & Co. ITASCA, IL - CHIPPEWA FALLS, WI

MATERIAL DESCRIPTION:

MATERIAL NO.

PATTERN NO.

DRN NPR

DATE 25-JUL-12

DPD0305

THIS DESIGN IS THE PROPERTY OF W.S. DARLEY AND CO. - UNAUTHORIZED REPRODUCTION IS PROHIBITED

ALL DIMENSIONS IN INCHES UNLESS NOTED

DO NOT SCALE PRINT

CHKD TED

SCALE 1/4

DPD0305

MODEL NAME: DPD0305
MOL CREATED: 25JUL12
SHEET: 1/1