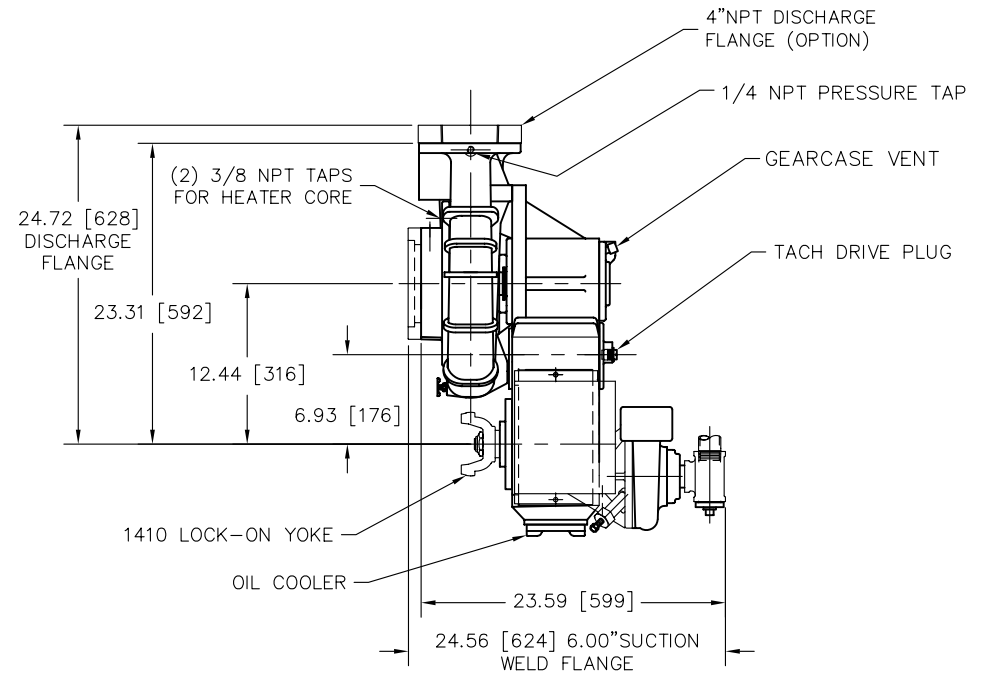
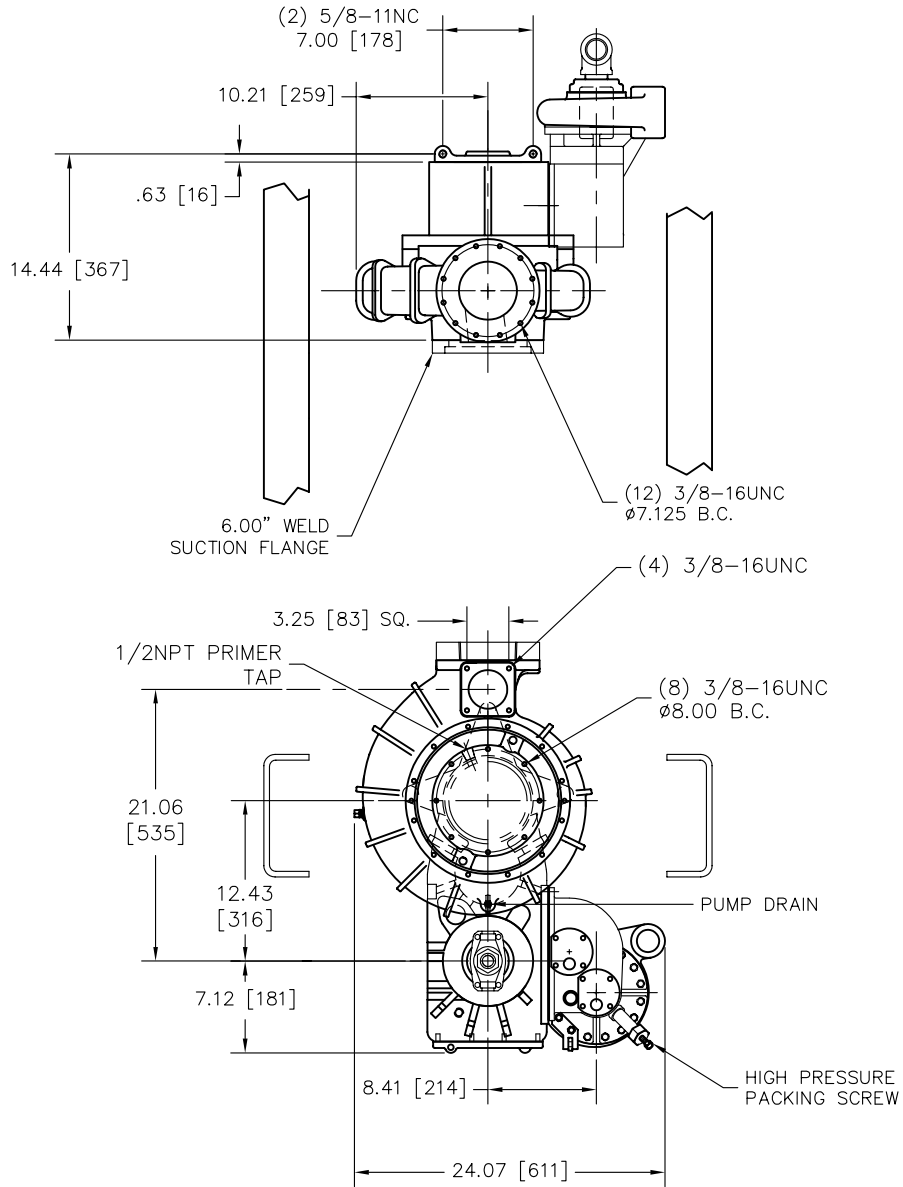


REVISIONS				
LTR	DESCRIPTION	DATE	CHG NO.	APPR'D



INCH [MILLIMETER]

MATERIAL DESCRIPTION:		MATERIAL NO.	PATTERN NO.	OLD PART NO.	TOLERANCE	W.S. DARLEY & Co. MELROSE PARK, IL - CHIPPEWA FALLS, WI DWG - PSPH, LOCKON YOKE, BARE DIMENSIONAL
THIS DESIGN IS THE PROPERTY OF W.S. DARLEY AND CO. - UNAUTHORIZED REPRODUCTION IS PROHIBITED		-	-	-	EXCEPT AS NOTED .00 ±.03 .000 ±.010 ANGLES ±1°	
ALL DIMENSIONS IN INCHES UNLESS NOTED		DO NOT SCALE PRINT		DR'N GDZ	DATE 6SEP,2001	DPD0202 SCALE 1/8
				CHKD CKE	SCALE 1/8	