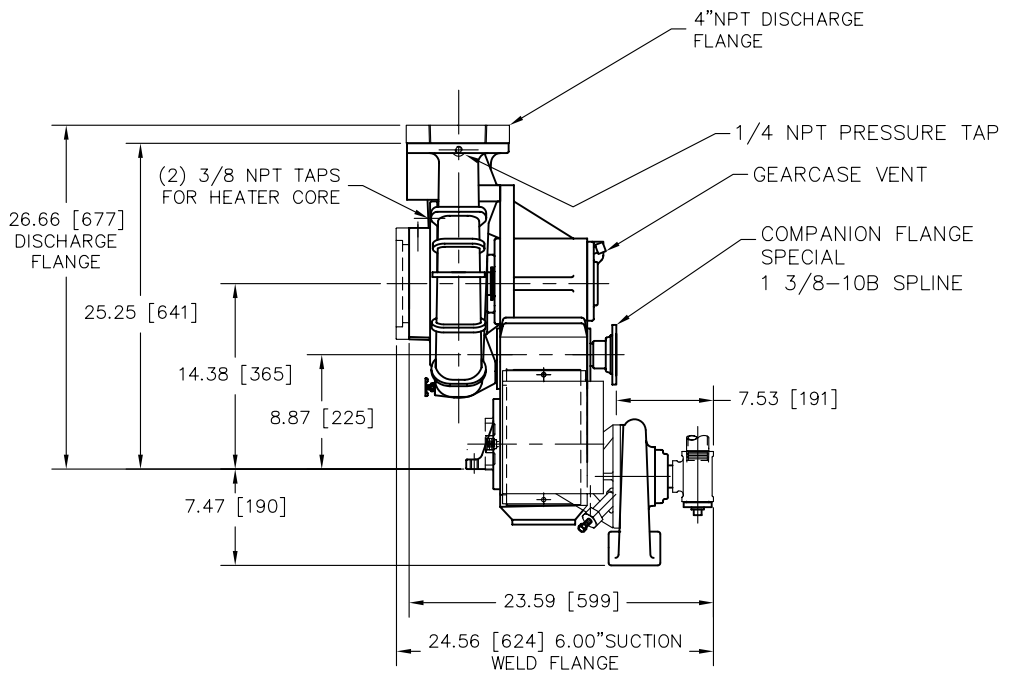
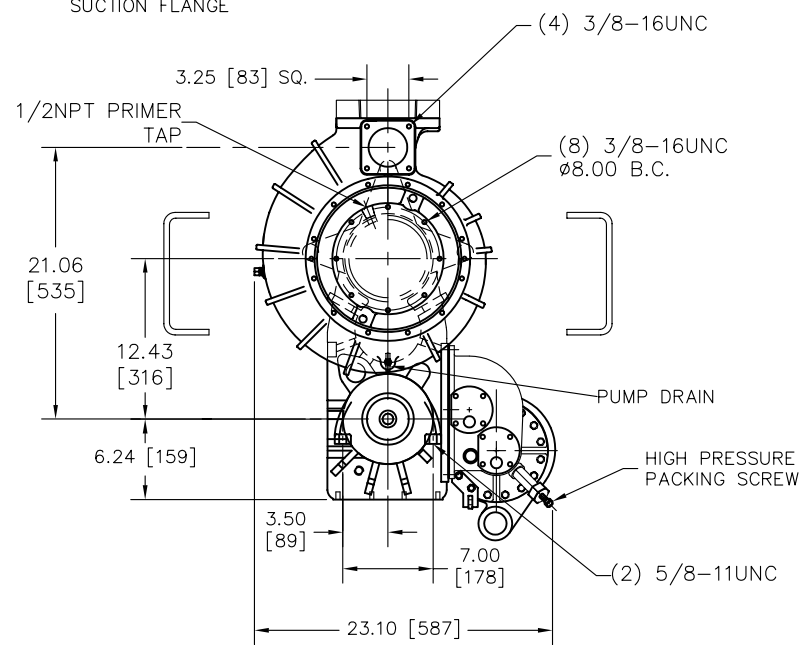
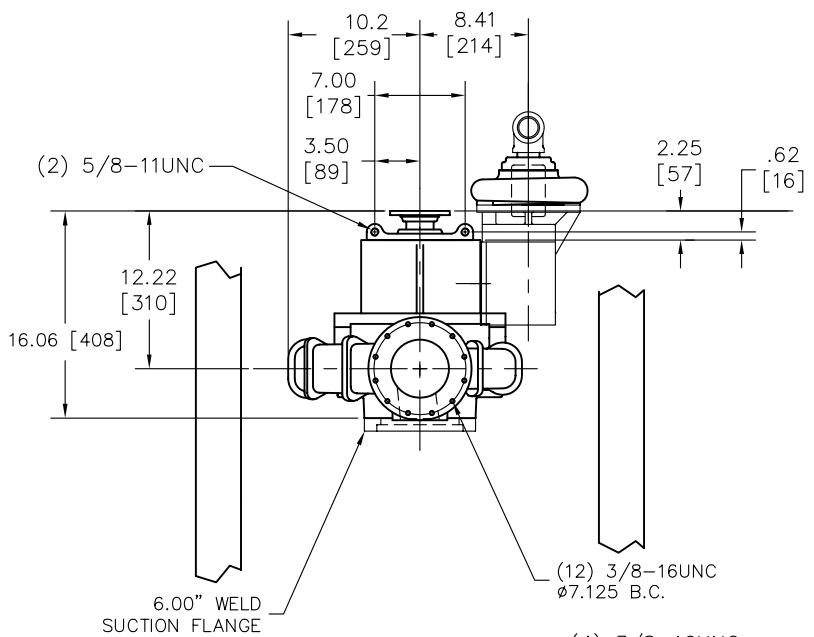


REVISIONS				
LTR	DESCRIPTION	DATE	CHG NO.	APPR'D



INCH [MILLIMETER]

MATERIAL DESCRIPTION: THIS DESIGN IS THE PROPERTY OF W.S. DARLEY AND CO. - UNAUTHORIZED REPRODUCTION IS PROHIBITED	MATERIAL NO.	PATTERN NO.	OLD PART NO. -	TOLERANCE EXCEPT AS NOTED .05 ±.03 .000 ±.010 ANGLES ±1°	W.S. DARLEY & Co. MELROSE PARK, IL - CHIPPEWA FALLS, WI DWG - PSPH, BARE DIMENSIONAL DATE 20MAR, 2000 SCALE 1/8
	DO NOT SCALE PRINT	DR'N GDZ CHKD MCR TRCD	DATE 20MAR, 2000	DPD0201	