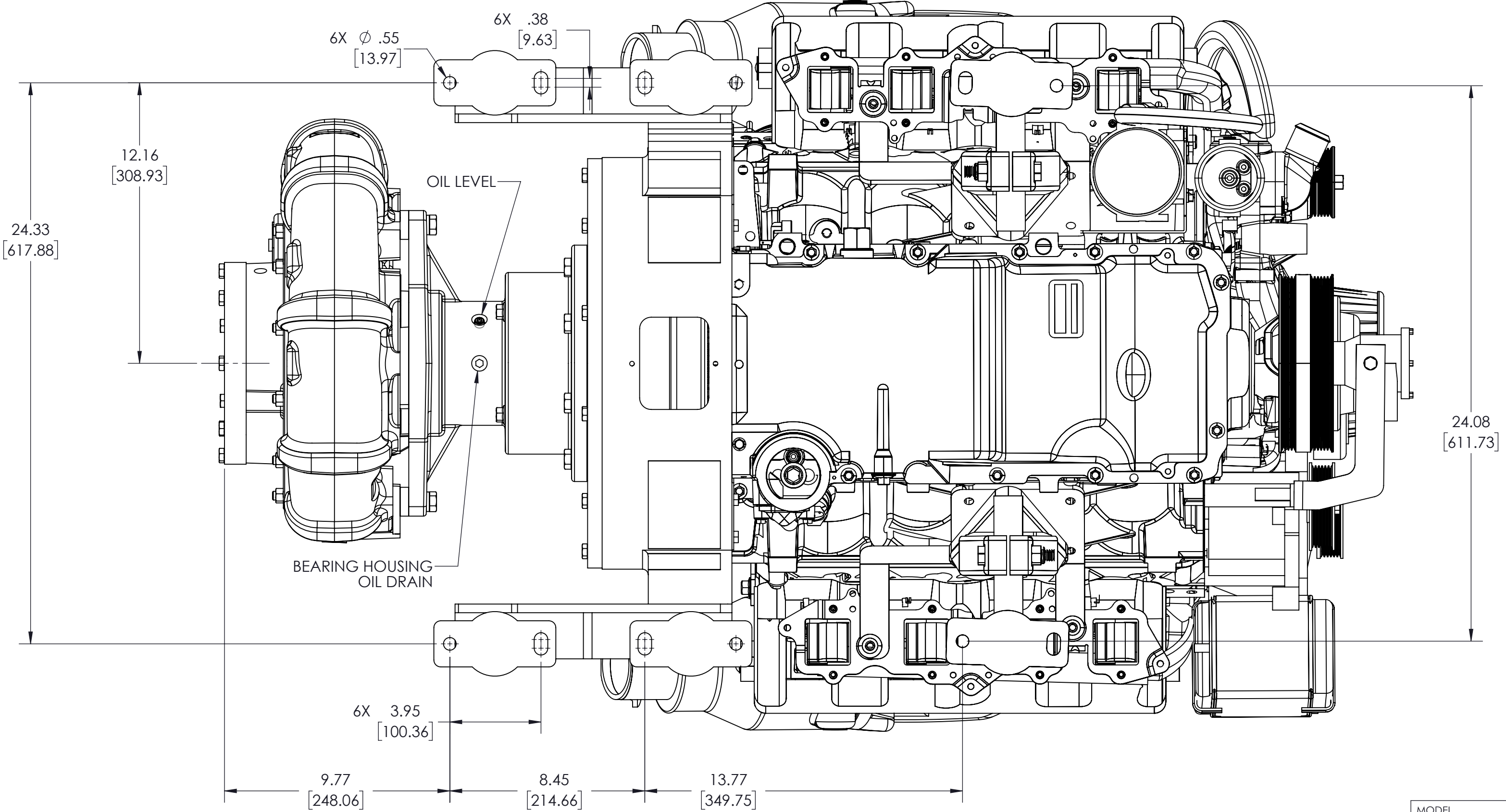
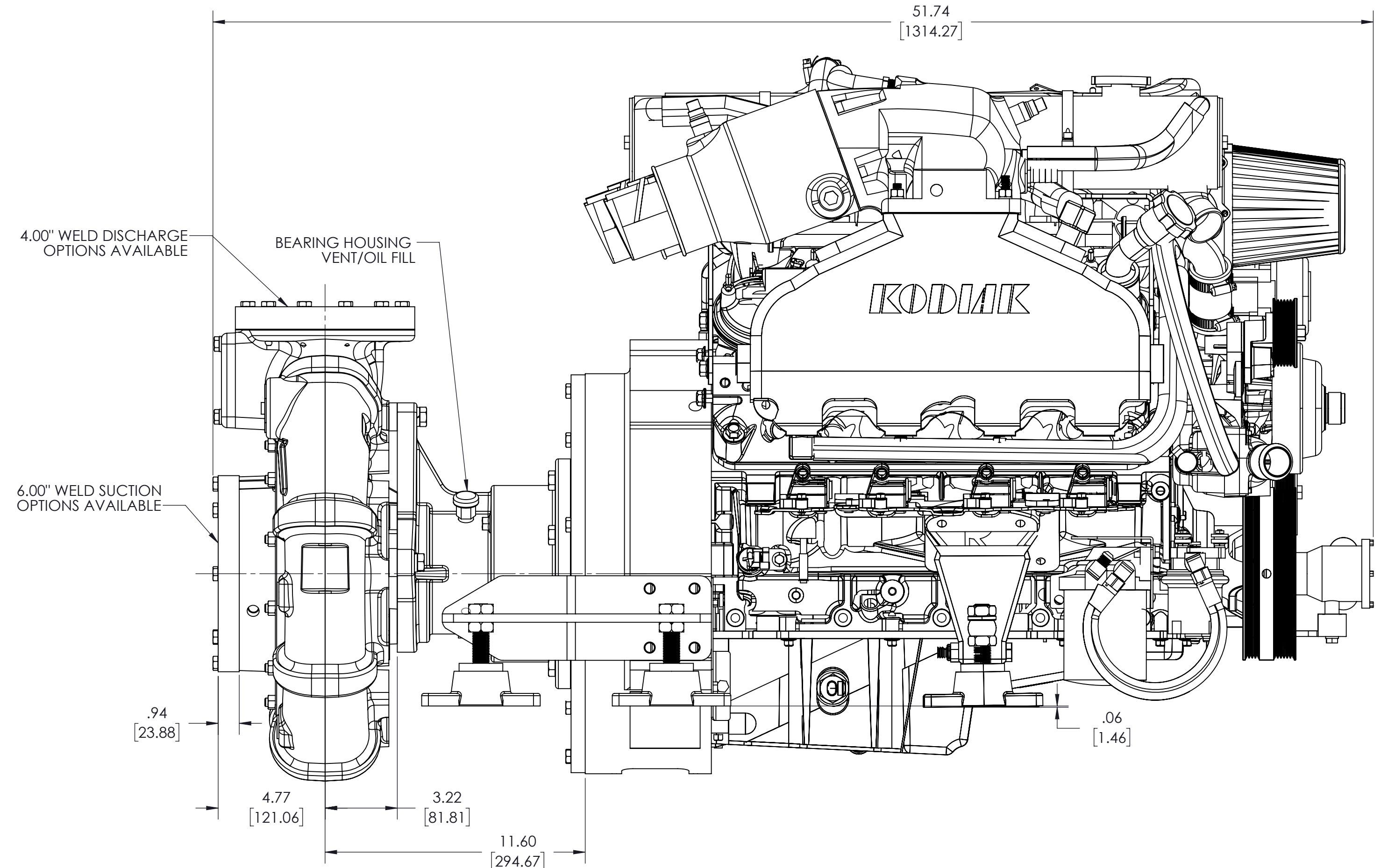


ASSEMBLIES SHOWN:  
 4214109 - KEM ENGINE  
 PP00316 - PUMP  
 TE01000 - BEARING HOUSING  
 YF00622 - BLANK FLANGE  
 YF00145 - DISCHARGE FLANGE  
 YF01511 - SUCTION FLANGE

3/4 NPT PUMP DRAIN



OIL LEVEL

BEARING HOUSING OIL DRAIN

THIRD ANGLE PROJECTION		MODEL	SHEET
OLD PART NO.		DPD0126	1/1 D
TOLERANCE EXCEPT AS NOTED		ITASCA, IL CHIPPewa FALLS, WI	
MATERIAL DESCRIPTION		DRWN	SMS
1128.80 LBS		DATE	1/11/2021
ALL DIMENSIONS IN INCHES UNLESS NOTED		SCALE	1:4
DO NOT SCALE PRINT		DPD0126	

REMOVE SHARP EDGES  
 MASS  
 1128.80 LBS  
 THIS DESIGN IS THE PROPERTY OF WS. DARLEY CO. - UNAUTHORIZED REPRODUCTION IS PROHIBITED

DRWN: CKHD  
 DATE: 1/11/2021  
 SCALE: 1:4  
 MODEL: DPD0126  
 SHEET: 1/1 D  
 DWG - PSDE, KEM 6.0 LITER  
 NO RV