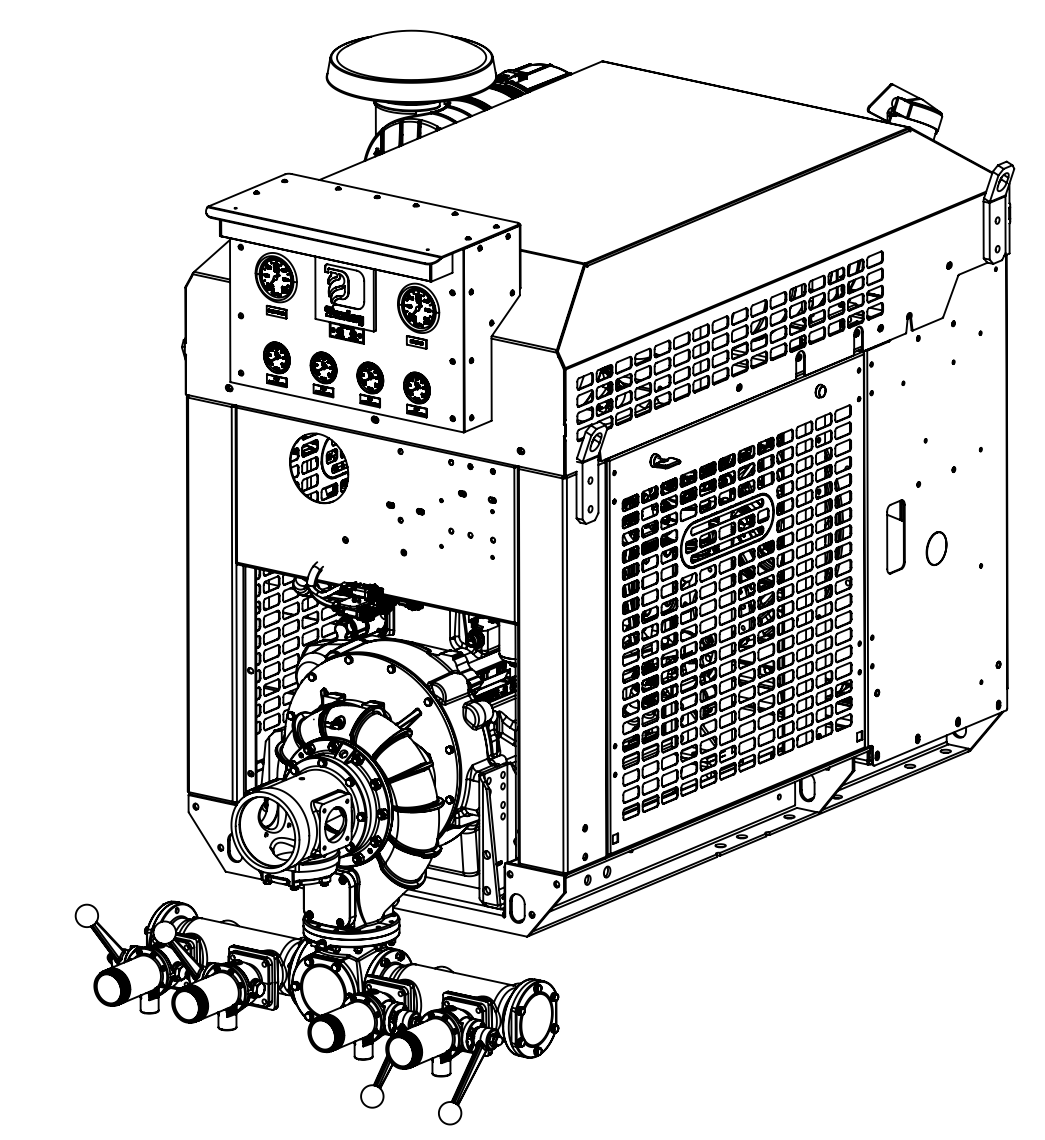
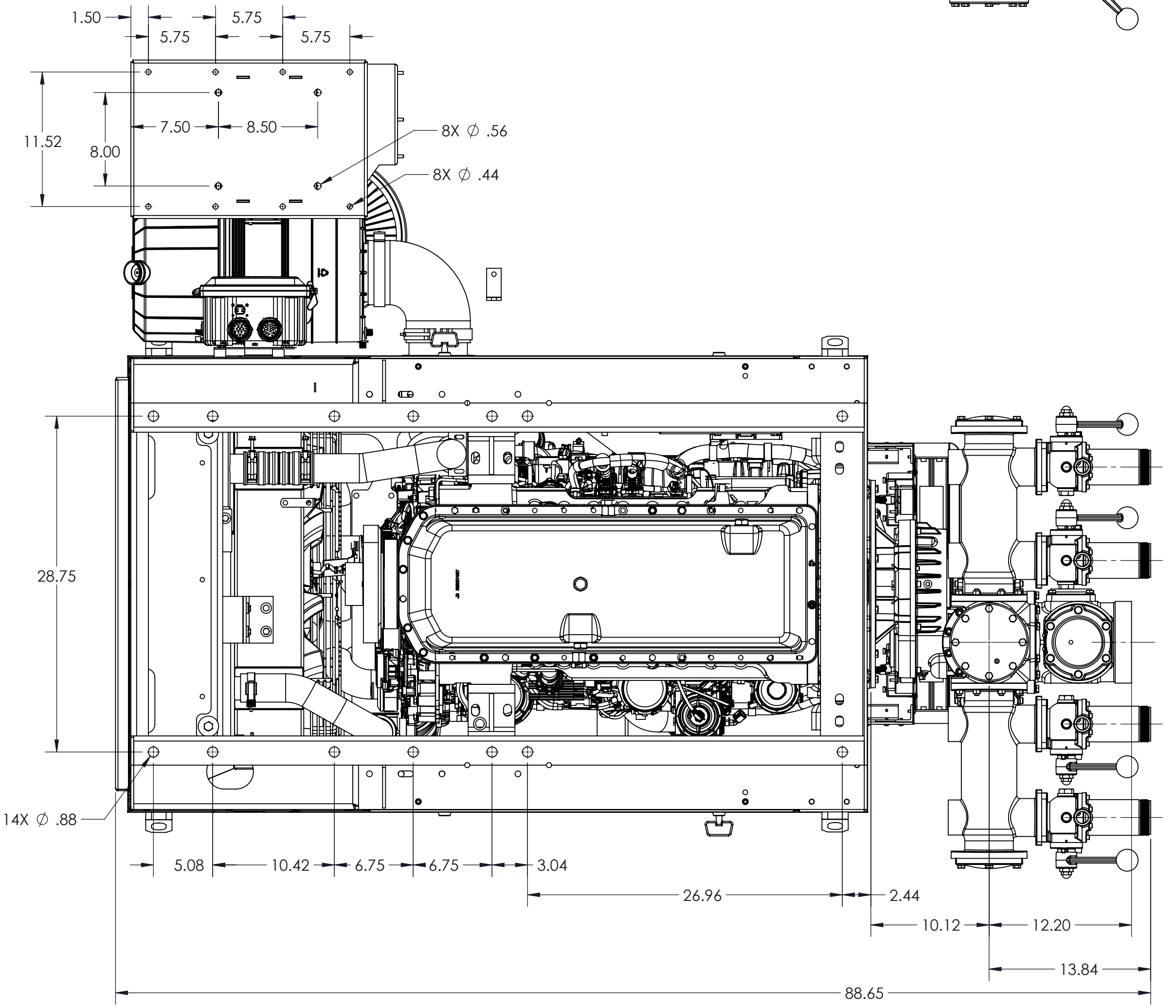
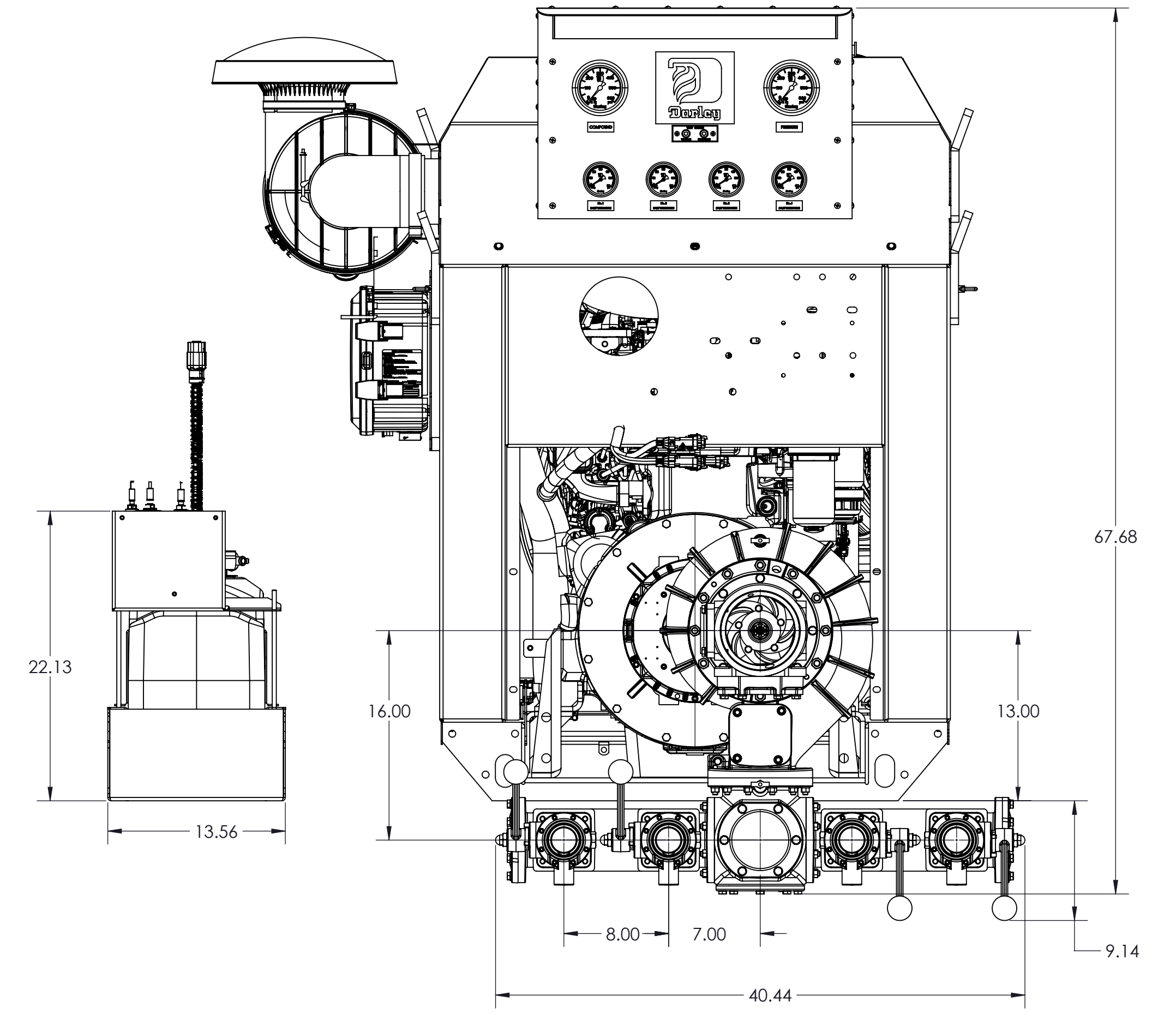
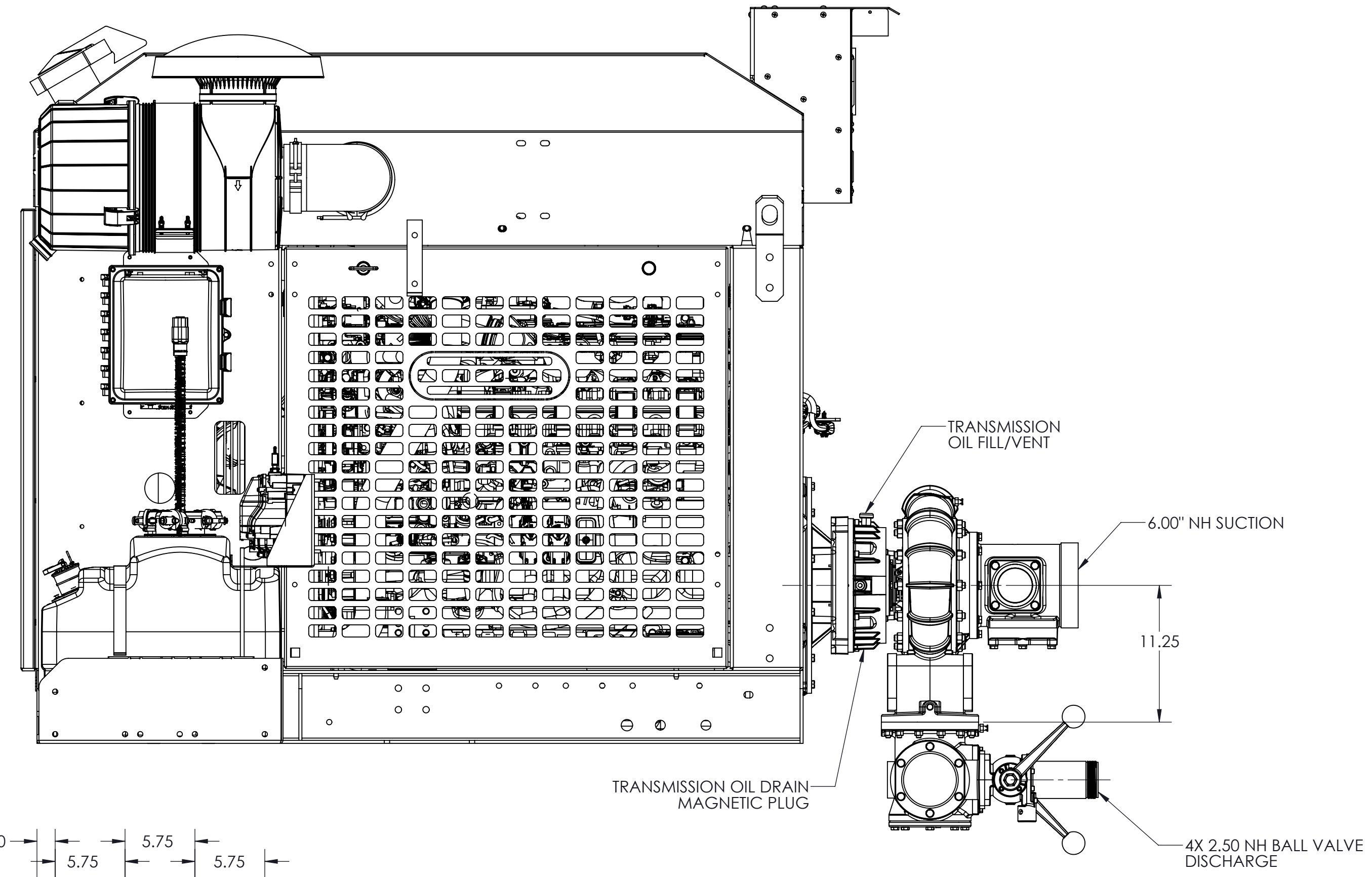


REVISIONS					
ZONE	REV.	DESCRIPTION	DATE	CHG NO.	APPROVED
	A	CHANGED TO HORIZONTAL GEARCASE	4/30/2020	12570	SMS



REMOVE SHARP EDGES		INCH [MILLIMETER]	THIRD ANGLE PROJECTION	OLD PART NO.	TOLERANCE EXCEPT AS NOTED .00 ±.03 .000 ±.010 ANGLES ±1	MODEL DLD1203	SHEET 1/1
MATERIAL DESCRIPTION		MASS	MATERIAL NO.	PATTERN NO.	DRWN SMS	DWG - LSE, SAE#3, DEERE ENG DIMENSIONAL, TIER 4	DATE: 12/18/2019
THIS DESIGN IS THE PROPERTY OF WS DARLEY CO. - UNAUTHORIZED REPRODUCTION IS PROHIBITED		4354.57 LBS	DO NOT SCALE PRINT		CKHD SLS	SCALE: 1:16	DLD1203

