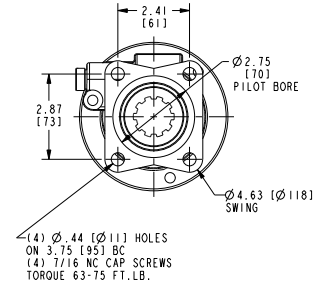
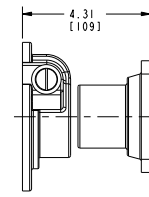
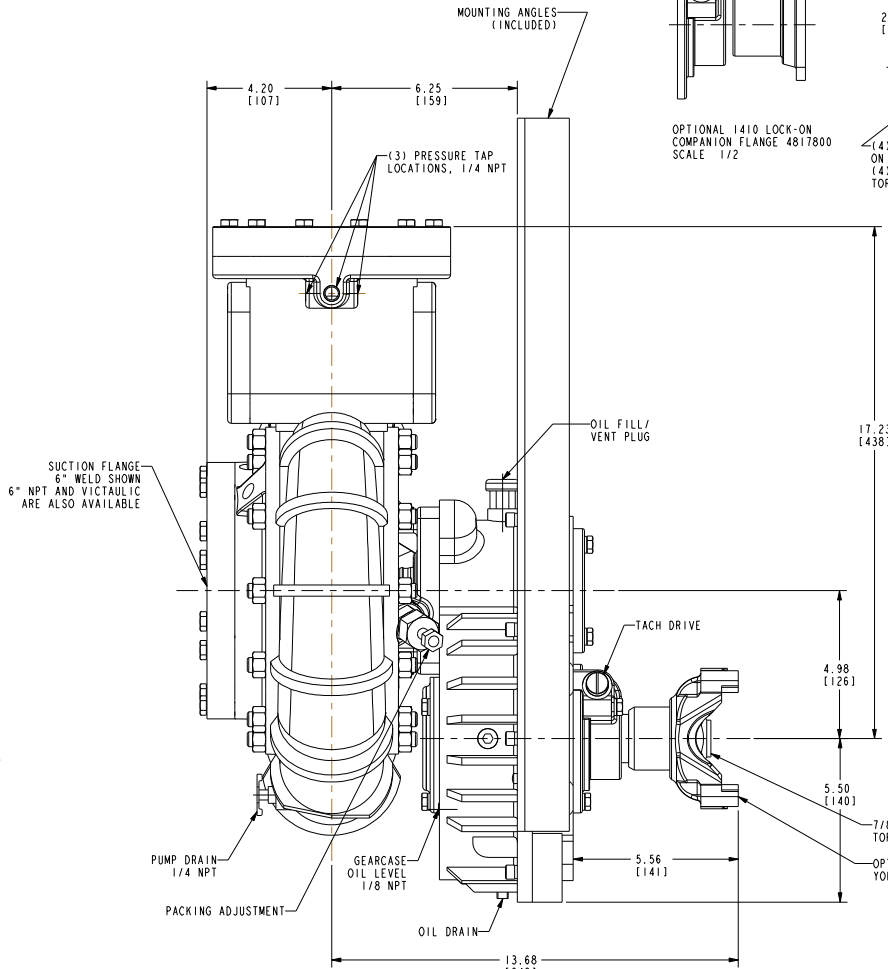
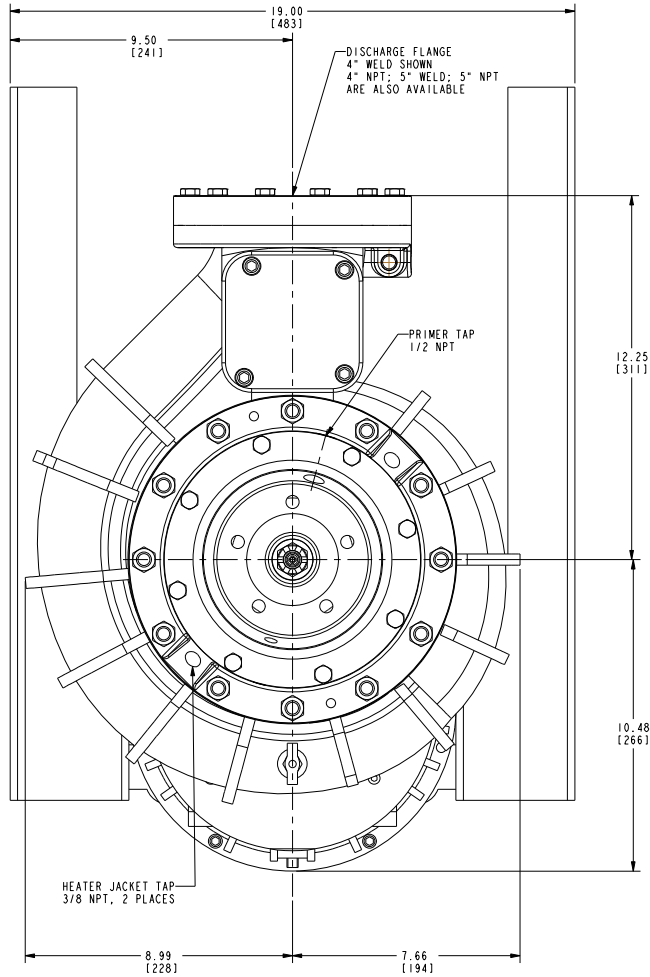


REVISIONS			
LTR	DESCRIPTION	DATE	CHG. NO. APPR'D



OPTIONAL 1410 LOCK-ON  
COMPANION FLANGE 4817800  
SCALE 1/2

REMOVE SHARP EDGES	INCH (MILLIMETERS)	OLD PART NO.	TOLERANCE EXCEPT AS NOTED	DR. IN. JES DATE 14-May-03
MATERIAL DESCRIPTION:		MATERIAL NO.	PATTERN NO.	DR. IN. JES DATE 14-May-03
THIS DESIGN IS THE PROPERTY OF W. S. DARLEY AND CO. - UNAUTHORIZED REPRODUCTION IS PROHIBITED	ALL DIMENSIONS IN INCHES UNLESS NOTED	DO NOT SCALE PRINT	SCALE 1/2	DLD0800

MODEL NAME	NO. CREATED	SHEET
DLD0800	5/14/03	1/1

W.S. Darley & Co.  
SHEPHERD FALLS, WI - WISCONSIN, PAUL, WI

LSP 2 GEAR, LOCK-ON  
DIMENSIONAL