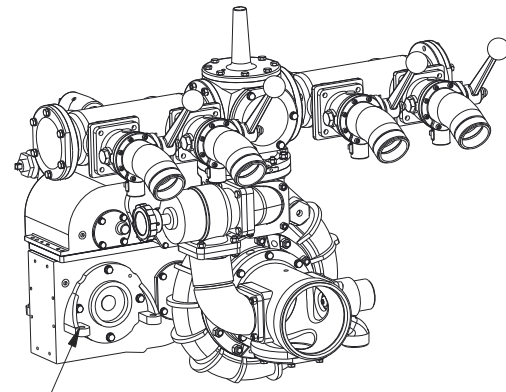
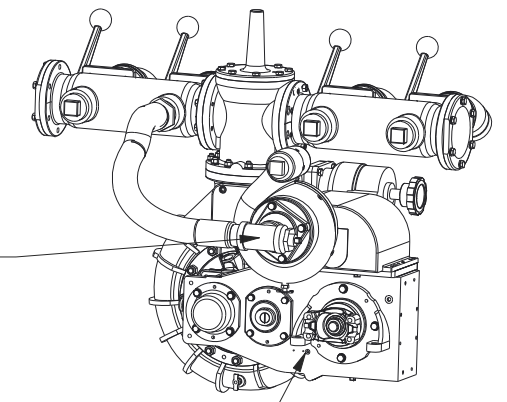


REVISIONS				
LTR	DESCRIPTION	DATE	CHG NO.	APPR'D

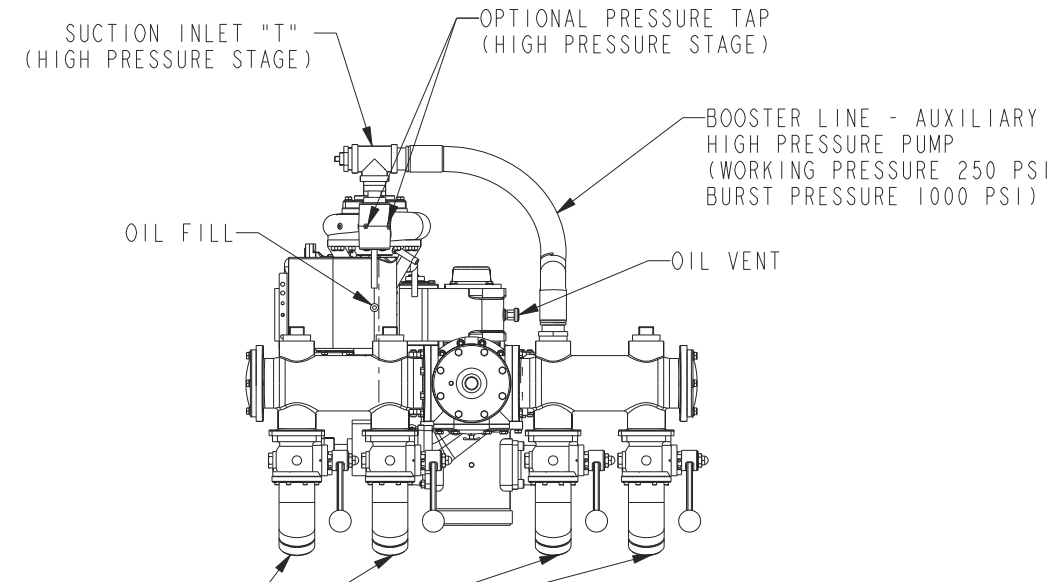


(4x) 5/8 - NC PUMP MOUNTING HOLES



FILTER

OIL LEVEL PORT - 1/8" NPT (DO NOT FILL BEYOND HOLE!)



SUCTION INLET "T" (HIGH PRESSURE STAGE)

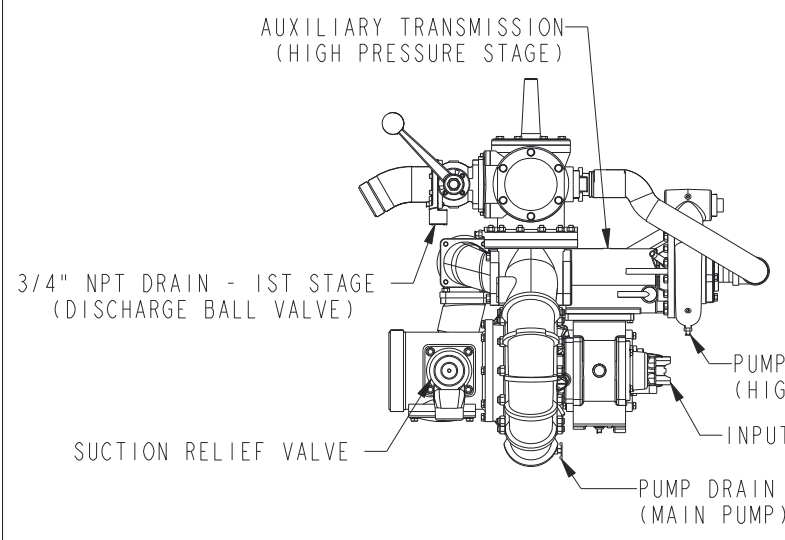
OPTIONAL PRESSURE TAP (HIGH PRESSURE STAGE)

BOOSTER LINE - AUXILIARY HIGH PRESSURE PUMP (WORKING PRESSURE 250 PSI BURST PRESSURE 1000 PSI)

OIL FILL

OIL VENT

DISCHARGE BALL VALVE (STANDARD PRESSURE PUMP)



AUXILIARY TRANSMISSION (HIGH PRESSURE STAGE)

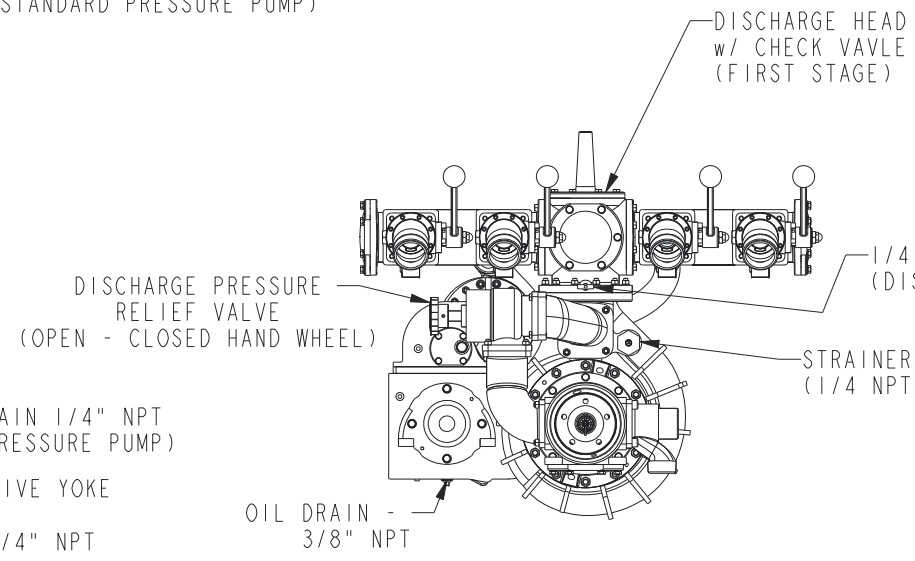
3/4" NPT DRAIN - 1ST STAGE (DISCHARGE BALL VALVE)

SUCTION RELIEF VALVE

PUMP DRAIN 1/4" NPT (HIGH PRESSURE PUMP)

INPUT DRIVE YOKE

PUMP DRAIN - 1/4" NPT (MAIN PUMP)



DISCHARGE HEAD w/ CHECK VALVE (FIRST STAGE)

DISCHARGE PRESSURE RELIEF VALVE (OPEN - CLOSED HAND WHEEL)

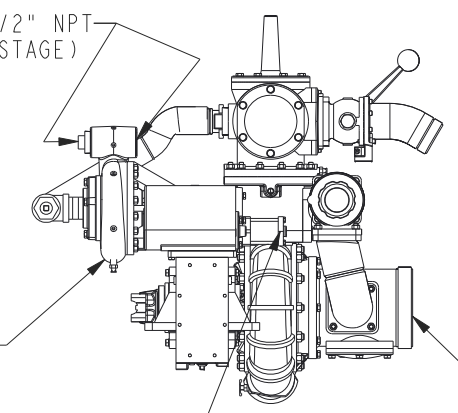
OIL DRAIN - 3/8" NPT

DISCHARGE - 1 1/2" NPT (HIGH PRESSURE STAGE)

1/4" NPT - DRAIN (DISCHARGE HEAD)

STRAINER FITTING (1/4 NPT TAP)

HD100 HIGH - PRESSURE PUMP

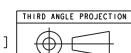


HIGH PRESSURE STAGE AIR SHIFT CYLINDER

SUCTION INLET (STANDARD PRESSURE PUMP)

REMOVE SHARP EDGES

INCH (MILLIMETER)



THIRD ANGLE PROJECTION

OLD PART NO.

TOLERANCE EXCEPT AS NOTED .00 ± .03 .000 ± .010 ANGLES ± 1°



ITASCA, IL - CHIPPEWA FALLS, WI

MATERIAL DESCRIPTION:

MATERIAL NO.

PATTERN NO.

DR'N KMD

DATE 03-Sep-14

SCALE 3/32

THIS DESIGN IS THE PROPERTY OF W.S. DARLEY AND CO. - UNAUTHORIZED REPRODUCTION IS PROHIBITED

ALL DIMENSIONS IN INCHES UNLESS NOTED

DO NOT SCALE PRINT

CHKD

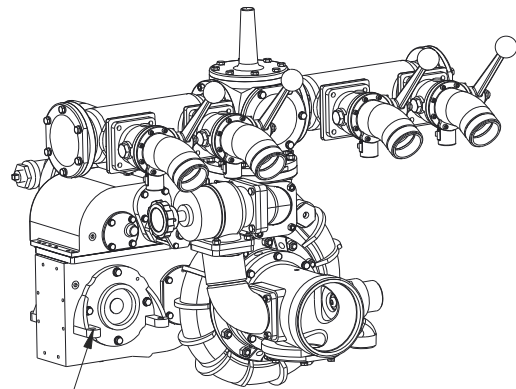
TRCD

DLD0719 P1

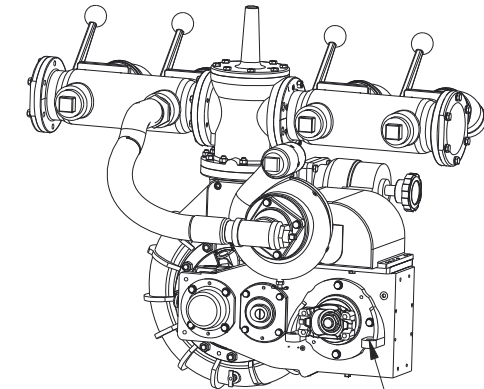
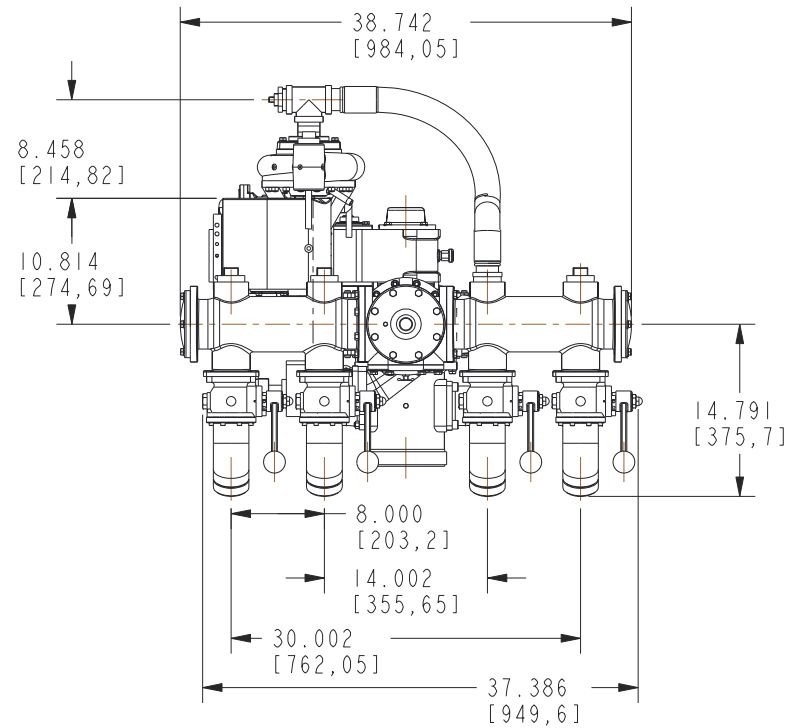
MODEL NAME	MDL CREATED	SHEET
DLD0719	9/10/14	1/3

C

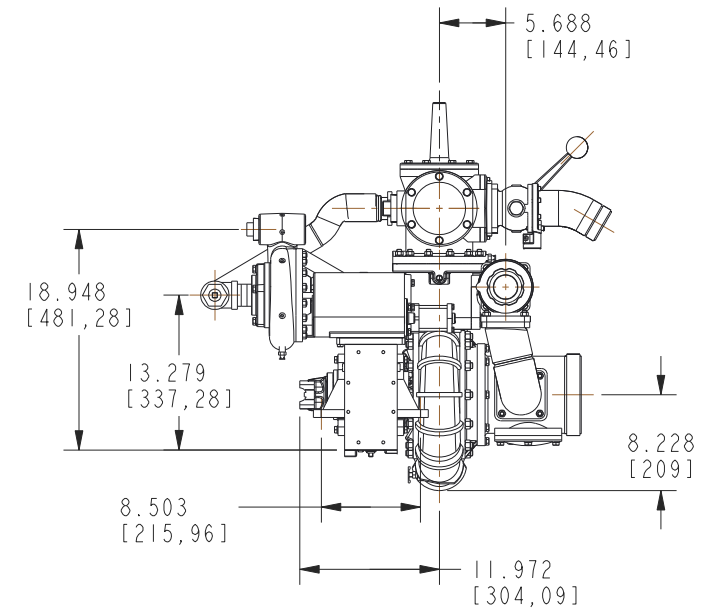
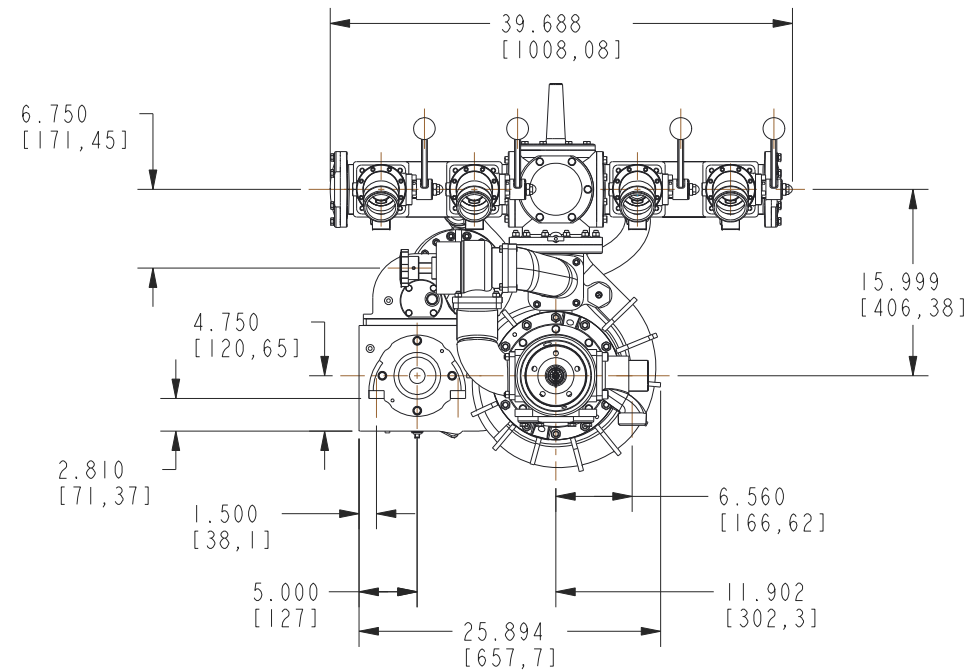
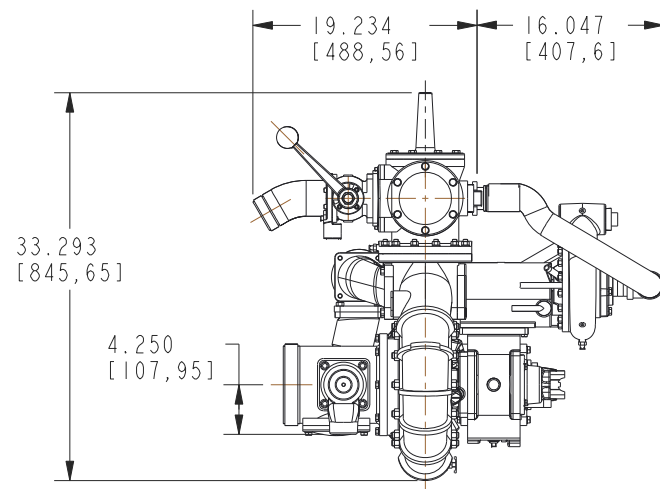
REVISIONS				
LTR	DESCRIPTION	DATE	CHG NO.	APPR'D



MOUNTING HOLES  
(2) 5/8 NC TAP THRU  
SPACED 7 INCHES ON CENTER

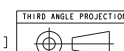


MOUNTING HOLES  
(2) 5/8 NC TAP THRU  
SPACED 7 INCHES ON CENTER



REMOVE SHARP EDGES

INCH  
[MILLIMETER]



THIRD ANGLE PROJECTION

OLD PART NO.

TOLERANCE  
EXCEPT  
AS NOTED

W.S. Darley & Co.  
ITASCA, IL - CHIPPEWA FALLS, WI

MATERIAL DESCRIPTION:

MATERIAL NO.

PATTERN NO.

DR 'N KMD

DATE 10-Sep-14

THIS DESIGN IS THE PROPERTY OF  
W.S. DARLEY AND CO. - UNAUTHORIZED  
REPRODUCTION IS PROHIBITED

ALL DIMENSIONS IN  
INCHES UNLESS NOTED

DO NOT SCALE PRINT

CHKD

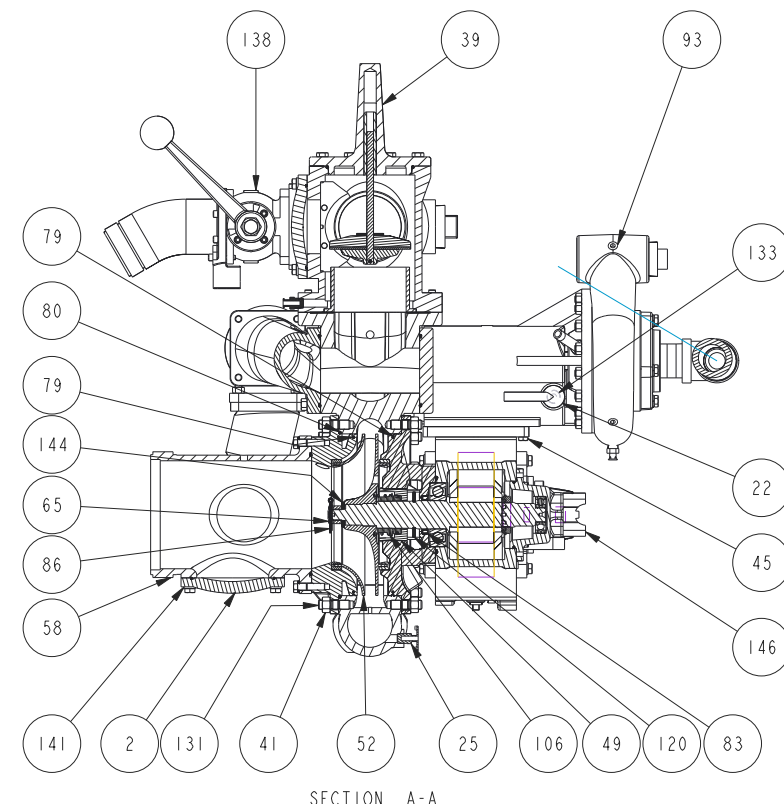
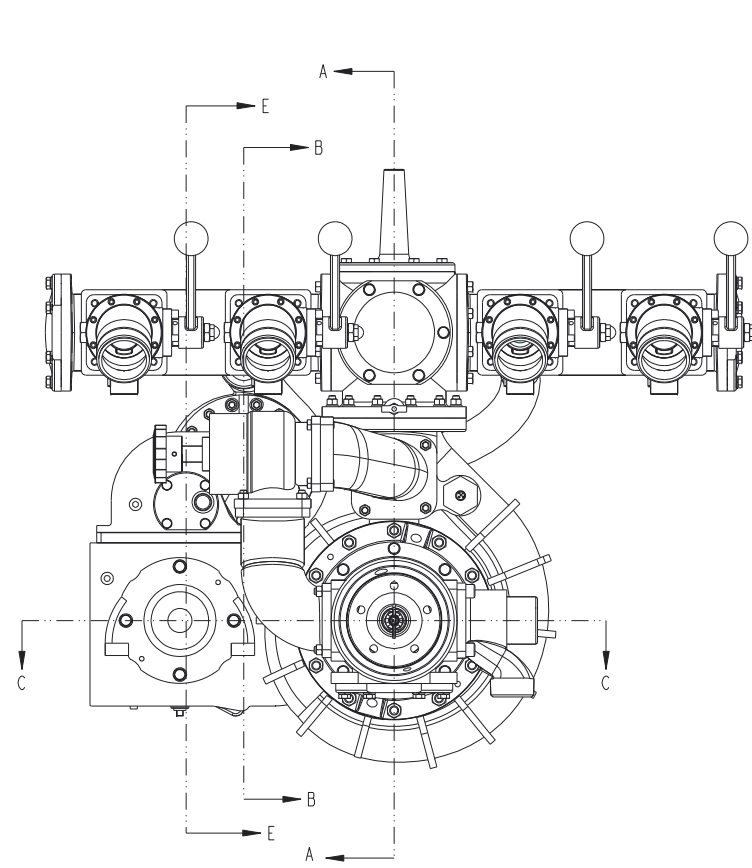
SCALE 3/32

DLD0719 P2

MODEL NAME	MDL CREATED	SHEET
DLD0719	9/10/14	2/3

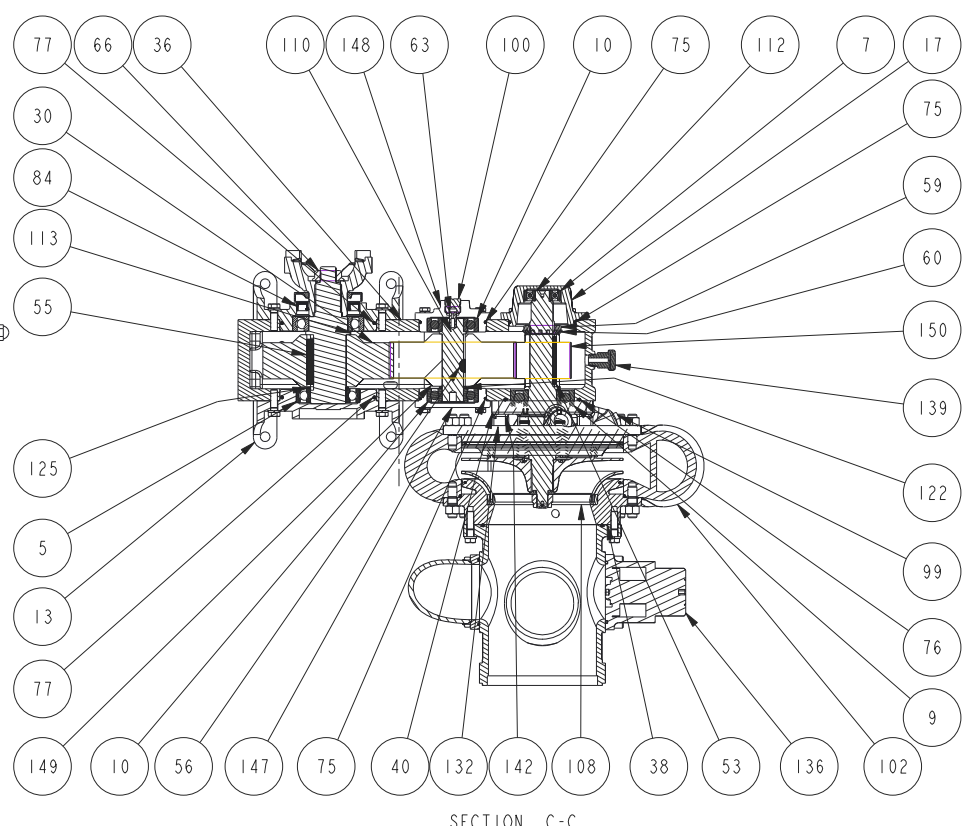
C

NO.	DESCRIPTION	PART NO.	QTY.
1	ASSY - DIS. EXT. LS/PS DABLEY	YE02501	2
2	ASSY - FLANGE CVR. BLNK. O-RING	YF03500	4
3	BEARING - OILITE D.500 ID	1176021	1
4	BEARING-BALL, 206SF	1120700	2
5	BEARING-BALL, 210S	1121101	1
6	BEARING-BALL, 211SF	1121202	1
7	BEARING-BALL, 304S	1121603	1
8	BEARING-BALL, 305SF	1121700	1
9	BEARING-BALL, 308SF	1122001	2
10	BEARING-BALL, 6306.C3	1121805	2
11	BEARING-BALL, 7305B.MP.UA	1124400	1
12	BRACKET - FRONT BEARING	2301321	1
13	BRACKET - FRONT BEARING	2301323	1
14	BUSHING - PIPE 2.00 x 1.50	1080819	4
15	CAP - BEARING, KDM	2302604	1
16	CAP - BEARING, AUX TRANS	2310501	1
17	CAP - BEARING, JMC & P	2303001	1
20	COLLAR - SHIFTER, KSMC	2408503	1
21	COUPLING - 1.172" FULL FLOW	1080154	2
22	COVER - SWITCH, AUX. GEARCASE	2504502	1
23	CYLINDER - 1.75ID x 2.40 LG	1020701	1
24	CYLINDER END - 1.75 ID	2502700	1
25	DRAIN COCK - 0.250 NPTW, KMC BR	5203500	2
26	IMP - LSWENRS, LS MECH SEAL	DL02000 BEAR	1
27	FLANGE - 1.5 NPT, O-RING, CD1	1920405	1
28	GASKET - GEARCASE COVER, KDMH	3814000	1
29	GASKET - GEARCASE COVER, KDMH	3814100	1
30	GEAR - DRIVE, KDM, 12DP	27154XX	1
31	GEAR - IDLER, KDMH, 6ST, 12DP	2715900	1
32	GEAR - PINION, 12DP	27154XX	1
33	GEARCASE - KDMH	1801102	1
34	GEARCASE - KSL7LS SERIES, PTO	1804306	1
35	GEARCASE - KSL7LS SERIES, 75 ID	2802700	1
36	HEAD - SUCTION, LS	2808800	1
37	HEAD ASST - LS/PS	HL00201	1
40	HEAD-INBOARD, LS	2809102	2
41	HEX NUT - .500-13, GR 2	5403005	28
42	HHCS - .250-20 x 4.00, 18-8	5400868	4
43	HHCS - .313-18 x 0.75, GR5	5400118	4
44	HHCS - .313-18 x 0.88, GR5	5400019	13
45	HHCS - .313-18 x 1.00, GR5	5400020	1
46	HHCS - .313-18 x 1.25, GR5	5400021	3
47	HHCS - .315-18 x 1.00, GR5	5400037	12
48	HOSE - HIGH PRESS, 1.50 x .48	4402312, 10B, LSRH	1
49	HOUSING - MECHANICAL SEAL	1844100	1
50	HOUSING - MECHANICAL SEAL, S	1843505	1
51	IMPELLER - BOOSTER, L.H.	2906103	1
52	IMPELLER - CS, R.H.	2906903	1
53	KEY - SO, 0.19 x 0.19 x 2.62	3602419	1
54	KEY - SO, 0.19 x 0.19 x 1.75, GR2	3602429	1
55	KEY - SO, 0.38 x 2.50	3602418	1
56	KEY - WOODRUFF, .606	3602700	1
57	KEY - FLUSH, MECH SEAL	MC02000	1
58	KIT - PS SUCT NPL, 6" NH	MC00509	1
59	LOCKNUT - BEARING, M07	3602107	1
60	LOCKWASHER - BEARING, M07	3602127	1
61	MECHANICAL SEAL - .875" LSRH	1846400	1
62	NIPPLE - PIPE, 2.00, CLOSE BR	1081321	1
63	NUT - CABLE DRIVE, 10M, 1.104	1141400	1
64	NUT - CASTLE, .500-20, 303	5403434	1
65	NUT - CASTLE, .625-18, 303 SST	5403428	1
66	NUT - FLANGE, 7/8-14	4814501	1
67	NUT - HEX, .315-16, GR2	5403002	16
68	O-RING - 1.00 x 0.69 x 0.09	3601118	1
69	O-RING - 1.00 x 1.12 x 0.06	3601016	1
70	O-RING - 1.19 x 1.31 x 0.06	3601021	1
71	O-RING - 1.47 x 1.71 x 0.09	3601401	1
72	O-RING - 1.75 x 1.88 x 0.06	3601015	2
73	O-RING - 2.38 x 2.50 x 0.06	3601001	2
74	O-RING - 3.12 x 3.38 x 0.12	3601200	1
75	O-RING - 3.50 x 3.69 x 0.09	3601124	3
76	O-RING - 4.00 x 4.25 x 0.12	3601741	1
77	O-RING - 5.00 x 5.25 x 0.12	3601221	2
78	O-RING - 5.63 x 5.88 x 0.12	3601242	1
79	O-RING - 8.50 x 8.69 x 0.09	3601121	2
80	O-RING - 9.00 x 9.25 x 0.12	3601201	1
81	OIL SEAL - 0.875 ID x 1.128 OD	3600535	1
82	OIL SEAL - 0.984 ID x 1.498 OD	3600529	1
83	OIL SEAL - 1.563 ID x 2.128 OD	3600534	1
84	OIL SEAL - 2.125 ID x 3.505 OD	3600563	1
85	PIN - COTTER, .094 x 1.00, SST	3605202	1
86	PIN - COTTER, .125 x 1.50, SST	3605205	1
87	PIN - BOWEL, .250 x 0.50, GR8	3605404	2
88	PIN - BOWEL, .250 x 1.25, GR8	3605402	1
89	PISTON - CYLINDER, 1.75 ID	4421200	1
90	PLUG - PIPE, 0.125, BR SO HD	1080501	1
91	PLUG - PIPE, 0.125, SST SOC HD	1080533	2
92	PLUG - PIPE, 0.125, 2H SOC HD	1080537	2
93	PLUG - PIPE, 0.250, SST SOC HD	1080535	4
94	PLUG - PIPE, 0.375, MAG SO HD	1080536	1
95	PLUG - PIPE, 0.375, 2H SOC HD	1080541	4
96	PLUG - PIPE, 0.750, SST SO HD	1080543	1
97	PLUG - PIPE, 1.500, SO HD	1080549	1
98	PLUG - PIPE, 2.000, BLK SO HD	1080559	3
99	PLUG - PLASTIC	4728800	1
100	PLUG - TACH, .88-18UNS	1142101	1
101	PUMP CASING - HD100	2054907	1
102	PUMP CASING - LS	2555602	1
103	PUMP - CMV, STG, BAR MECH, AIR	4600934	1
104	QUAD RING - 1.50 x 1.75 x 0.12	3601602	1
105	SCREEN STRAINER	1122400	1
106	SEAL - SHAFT, 1.500" TYPE 2	1842701	1
107	SEAL RING - E, INTERSTAGE	3401400	1
108	SEAL RING - E, INTERSTAGE	3404800	1
109	SEAL RING - S7SH	3406000	1
110	SHAFT - TOLER GEAR, K	5005902	1
111	SHAFT - TOLER GEAR, SH	5011500	1
112	SHAFT - IMPELLER, LS	5019305	2
113	SHAFT - IMPL, KDMH	5015301	1
114	SHAFT - PUMP, 3RD STAGE, S	5012905	1
115	SHCS - .250-20 x 0.88, SST	5401416	6
116	SHCS - .250-20 x 1.00, GR8	5401004	1
117	SHIFTER BAR, KSPH	1184100	1
118	SLEEVE - LSPH, EXTERNAL	1884803	1
119	SLEEVE - LSPH, INTERNAL	1886802	1
120	SLINGER - WATER, 1.421	3203202	1
121	SPACER - 0.75 x 1.50 x 0.50	3307100	1
122	SPACER - 1.19 x 1.50 x 0.13	3302700	1
123	SPACER - 1.28 x 1.50 x 0.30	3303300	1
124	SPACER - 1.38 x 1.63 x 3.98	3304300	1
125	SPACER - 1.97 x 2.25 x 0.09	3302500	1
127	SPRING - WAVE, SMALLY	3600037	1
128	STRAINER - FITTING	1122300	1
129	STRAINER, 3RD STAGE	4600932	1
130	STUD - 0.375-16 x 1.500, GR5	3606203	16
131	STUD - 0.500-13 x 1.750, GR5	3606401	24
132	STUD - 0.500-13 x 2.000, GR5	3606402	4
133	SWITCH - SHIFTER INDICATOR, KDMH	2600097	1
134	TIE - PIPE, 1.500, BLK	1080410	1
135	TRANS - LSP, 3 GEAR LOCK-ON	TP01102, W, 1804306, BEAR	1
136	VALVE - 2.5 INLET R.V. SYS., AL, TTT	VR00801	1
137	VALVE - 3 IN R.V. LSF, REMOTE	VR00800	1
138	VALVE-BALL	VR00158	4
139	VENT - GEARCASE	4401800	1
140	WASHER - LOCK, 0.313 ID	3603502	20
141	WASHER - LOCK, 0.375 ID	3603503	12
142	WASHER - LOCK, 0.500 ID	3603505	4
143	WASHER - 0.52 x 0.94 x .12 303	3603329	1
144	WASHER-IMPELLER	3603322	1
145	WIPER RING	1841000	1
146	YOKE - 1410 END, 1.50" IOD SPLINE	4817606	1
147	CAP - BEARING, O OFFSET	2301521	1
148	CAP - BEARING, KDM 2.28:1	2302221	1
149	GEAR - IDLER, KDMH, 12 DP	2714563	1
150	GEAR - PINION, KSM/TEH, 12DP	2714405	1
151	SPACER - GEARCASE, KDMH, 2.28	1883704	1

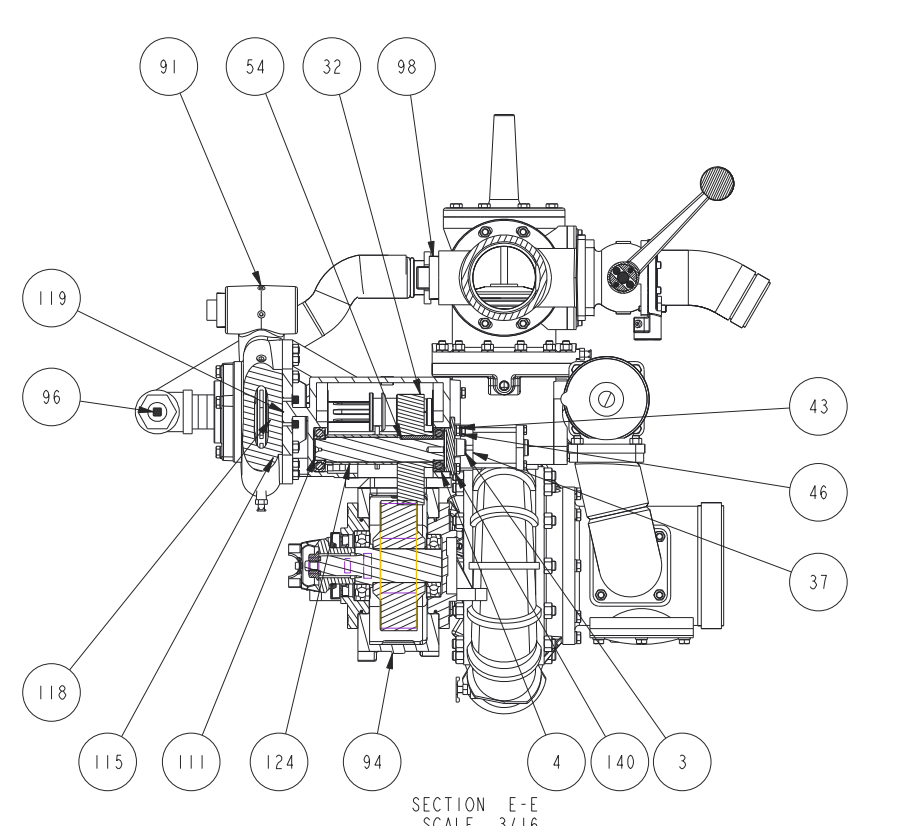
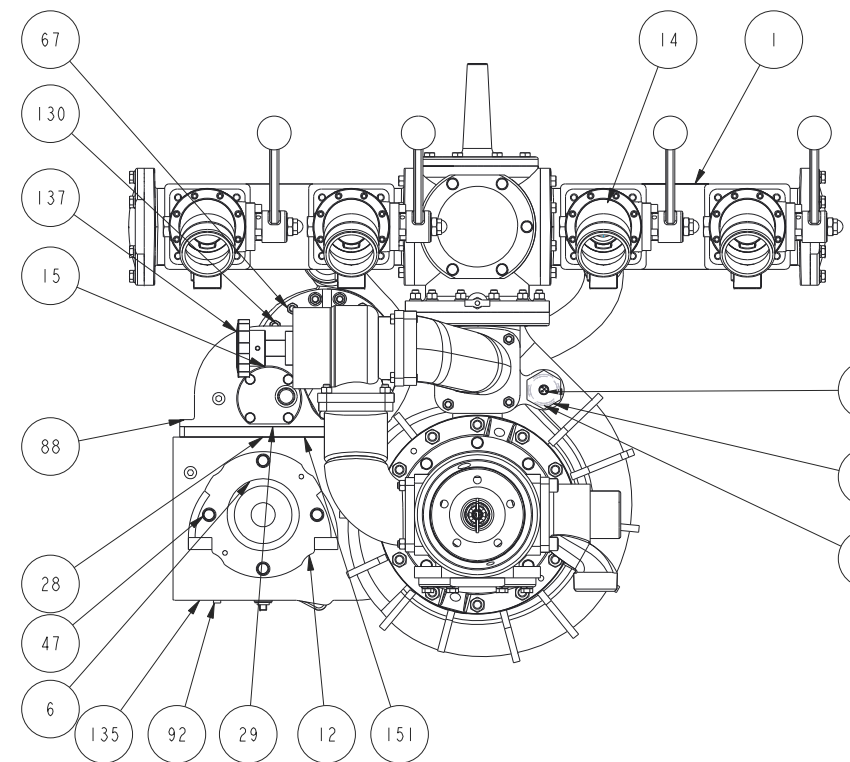


SECTION A-A

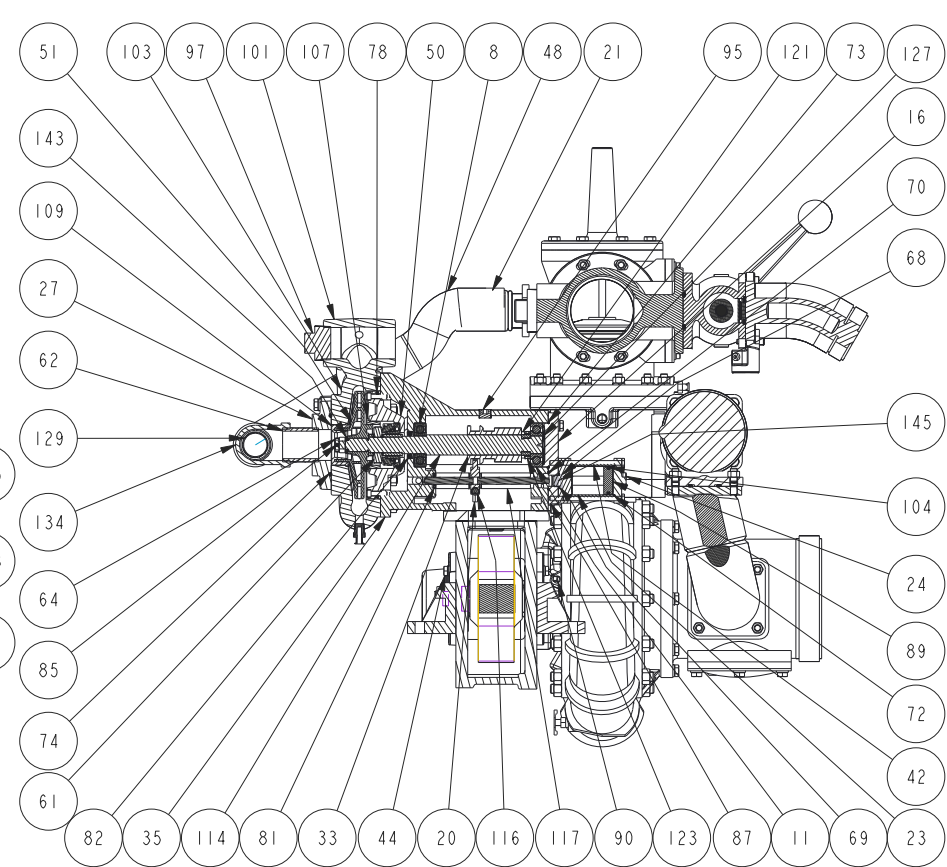
SHOWN WITH GEAR RATIO KR05106  
 - AUXILIARY PUMP G.R. 4.00:1  
 - MAIN PUMP G.R. 2.29:1



SECTION C-C



SECTION E-E  
SCALE 3/16



SECTION B-B

MODEL NAME	MOL CREATED	SHEET
DL00719	9/10/14	3/3

REMOVE SHARP EDGES

INCH (MILLIMETER)

W.S. Darley & Co.  
TASCA, IL - CHIPPEWA FALLS, WI

MATERIAL DESCRIPTION: -

MATERIAL NO. PATTERN NO.

DR: NMD

CHND

TRCD

DATE 03-Nov-14

SCALE 3/16

DL0719 P3