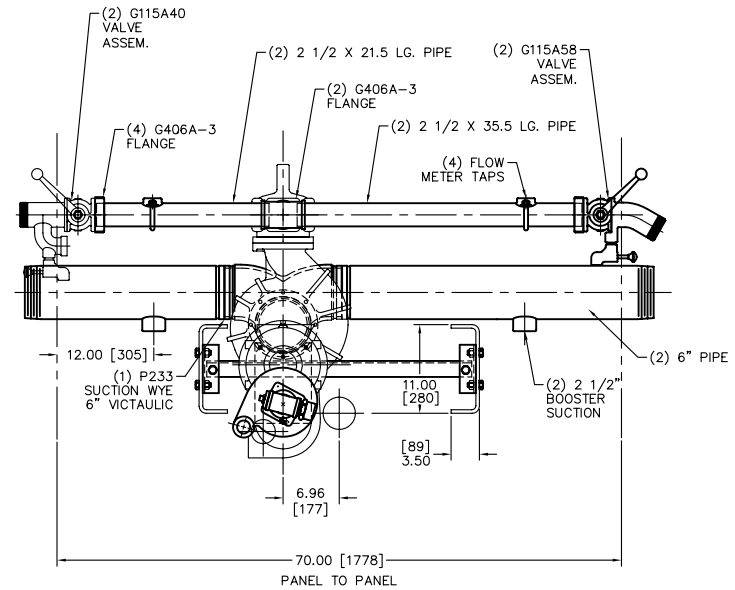
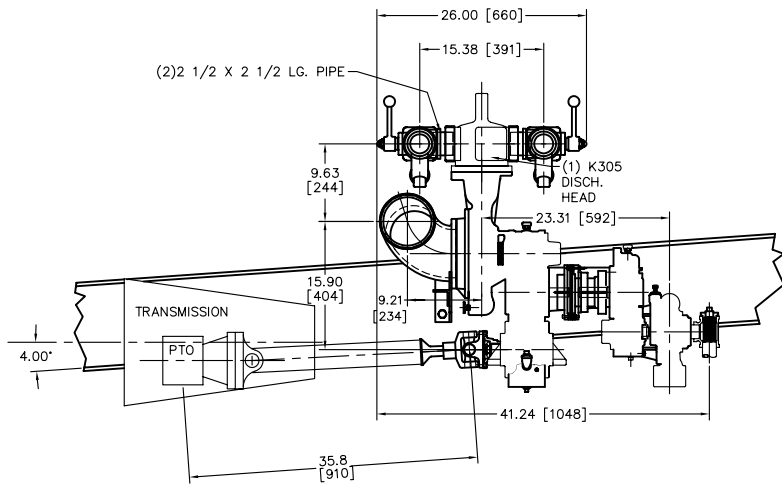


REVISIONS				
LTR	DESCRIPTION	DATE	CHG NO.	APPRD



INCH
(MILLIMETER)



TOLERANCE: DECIMALS
AS NOTED
FRACTIONAL: 1/16"
DIM. ON: 1/16"
ANGLES: 1°

W.S. DARLEY & CO.
MERRICK, ILL. - CHIPPewa FALLS, WI

OLD PART NO. X4627-1
DATE: OCT. 7, 94
SCALE: 1/8

DKD0701

THIS DESIGN IS THE PROPERTY OF W.S. DARLEY AND CO. - UNAUTHORIZED REPRODUCTION IS PROHIBITED
ALL DIMENSIONS IN INCHES UNLESS NOTED
DO NOT SCALE PRINT