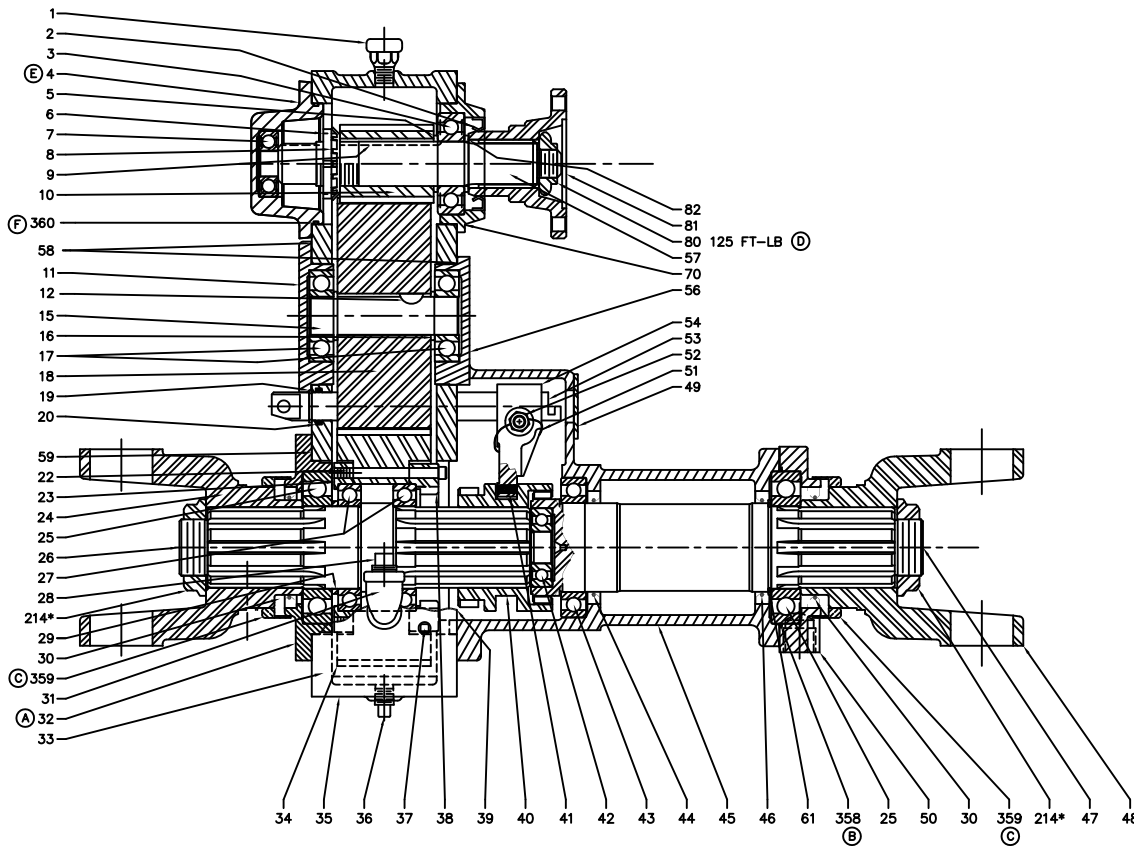


REVISIONS				
LTR	DESCRIPTION	DATE	CHG NO.	APP'D
A	2301305 BRG BRKT WAS 2301304	7/30/98	98-194	JLL
B	ADDED O-RING	06/05/02	2002-114	JSS
C	ADDED WATER FLINGER	05/10/04	2004-111	JSS
D	ADDED NOTE: 125 FT-LB	9/30/08	2008-231	JAW
E	BEARING CAP WAS GASKET TYPE	8/18/10	6645	JMB
F	ORING WAS GASKET	8/18/10	6645	JMB



REP#	NAME OF PART	QTY
1	GEAR CASE VENT	1
2	OIL SEAL - OUTPUT SHAFT	1
3	BEARING - OUTPUT SHAFT	1
E 4	BEARING CAP	1
5	GEAR SPACER - .203 WIDE	1
6	BEARING LOCKNUT	1
7	BEARING	1
8	BEARING LOCKWASHER	1
9	PINION KEY	1
10	PINION GEAR	1
11/56	BEARING CAP - IDLER	1
12	WOODRUFF KEY - IDLER	1
15	IDLER SHAFT	1
16	SPACER - IDLER GEAR	1
17	BEARING - IDLER SHAFT	2
18	IDLER GEAR	1
19	RETAINING RING	1
20	O-RING - SHIFT BAR	1
22	GRADE 8 SOCKET HEAD CAP SCREWS	6
23	BEARING RETAINER	1
24	DRIVE YOKE	1
25	BEARING - DRIVE SHAFT	2
26	FRONT DRIVE SHAFT	1
27	BEARING - DRIVE GEAR	2
28	OIL FILL PLUG - 3/8NPT	1
29	BEARING SPACER - DRIVE SHAFT	1
30	OIL SEAL	2
31	90° ELBOW - OIL FILL	1
A 32	FRONT BEARING BRACKET	1
33	GEARCASE COVER	1
34	DRIVE GEAR	1
35	GEARCASE	1
36	OIL DRAIN PLUG - 3/8NPT MAGNETIC	1
37	OIL LEVEL PLUG - 3/8NPT	1
38	CLUTCH GEAR	1
39	GASKET - GEARCASE COVER	1
40	SLIDING CLUTCH GEAR	1
41	OIL WICK PELLETT	6
42	PILOT BEARING	1
43	BEARING - REAR DRIVE SHAFT	1
44	OIL SEAL	1
45	REAR BEARING BRACKET	1
46	OIL SEAL	1
47	REAR DRIVE SHAFT	1
48	REAR DRIVE YOKE	1
49	COVER - POWER SHIFT OPENING (POWER SHIFT CYLINDER OPTIONAL)	1
50	BEARING CAP	1
51	SAFETY WIRE	10*
52	LOCK BOLT - SHIFT YOKE	1
53	SHIFT BAR	1
54	SHIFT YOKE	1
56/11	BEARING CAP - IDLER	1
57	OUTPUT SHAFT	1
58	GASKET	3
59	GASKET - FRONT BEARING BRACKET	1
61	SPACER	1
70	BEARING BRACKET - OUTPUT SHAFT	1
80	NUT - OUTPUT FLANGE - 7/8 NYLOC	1
81	1410 COMPANION FLANGE - OUTPUT	1
82	FLANGE SPACER - .125 WIDE	1
214*	NUT	2
B 358	O-RING	1
C 359	WATER DLINGER	2
F 360	ORING	1

\*TORQUE YOKE NUT TO 150-200 lb-ft

MIDSHIP PTO W/2.5" DRIVE SHAFT - TP00705

OLD PART NO.

THIS DRAWING IS THE PROPERTY OF W.S. DARLEY AND CO. - UNAUTHORIZED REPRODUCTION IS PROHIBITED

ALL DIMENSIONS IN INCHES UNLESS NOTED

DO NOT SCALE PRINT

DATE: JUL14,97  
SCALE: 1/2

DKC1502



INCH (MILLIMETER)