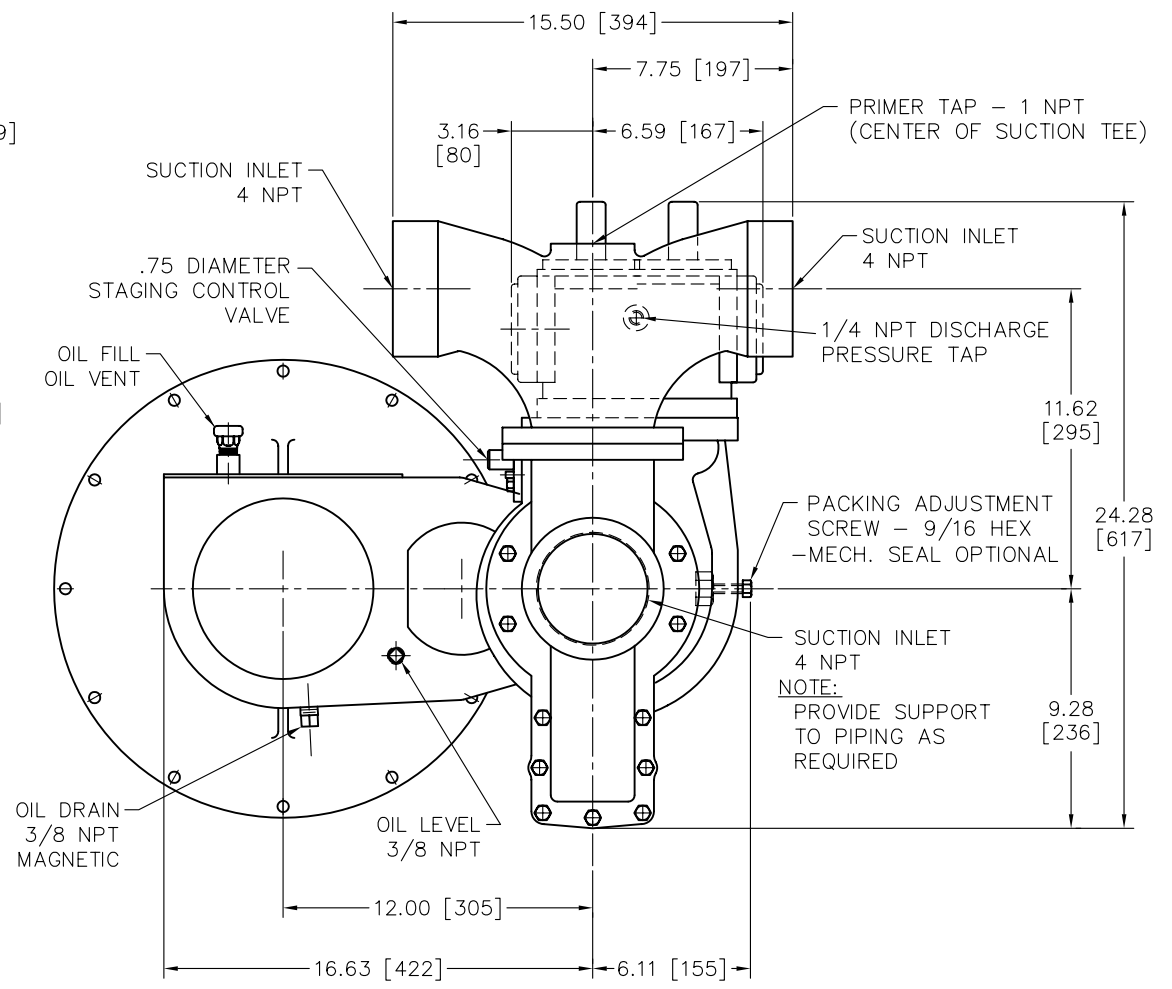
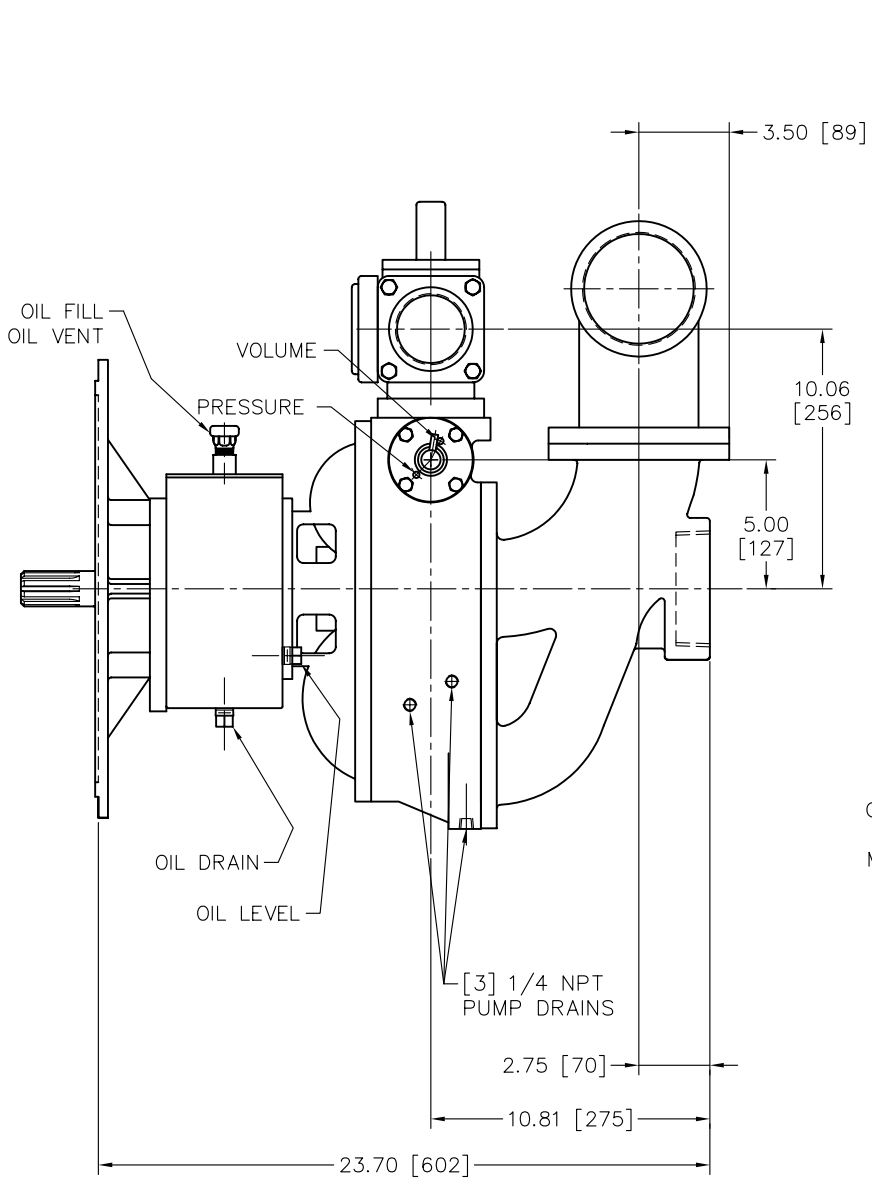


REVISIONS				
LTR	DESCRIPTION	DATE	CHG NO.	APPR'D



- APPROXIMATE WEIGHT - 415 LBS [188 KG]
- USE SAE 80W/90 GEAR LUBE OIL IN THE PUMP GEARCASE
- DIMENSIONS ARE APPROXIMATE, AND ARE SUBJECT TO CHANGE WITHOUT NOTICE

OLD PART NO. J296

	W.S. DARLEY & Co. MELROSE PARK, IL - CHIPPEWA FALLS, WI		INCH [MILLIMETER]			
	DWG - JME500, HORIZONTAL GEARCASE, SAE 3					
	DR'N	TED			DATE	NOV7,95
	CHKD				SCALE	1/4