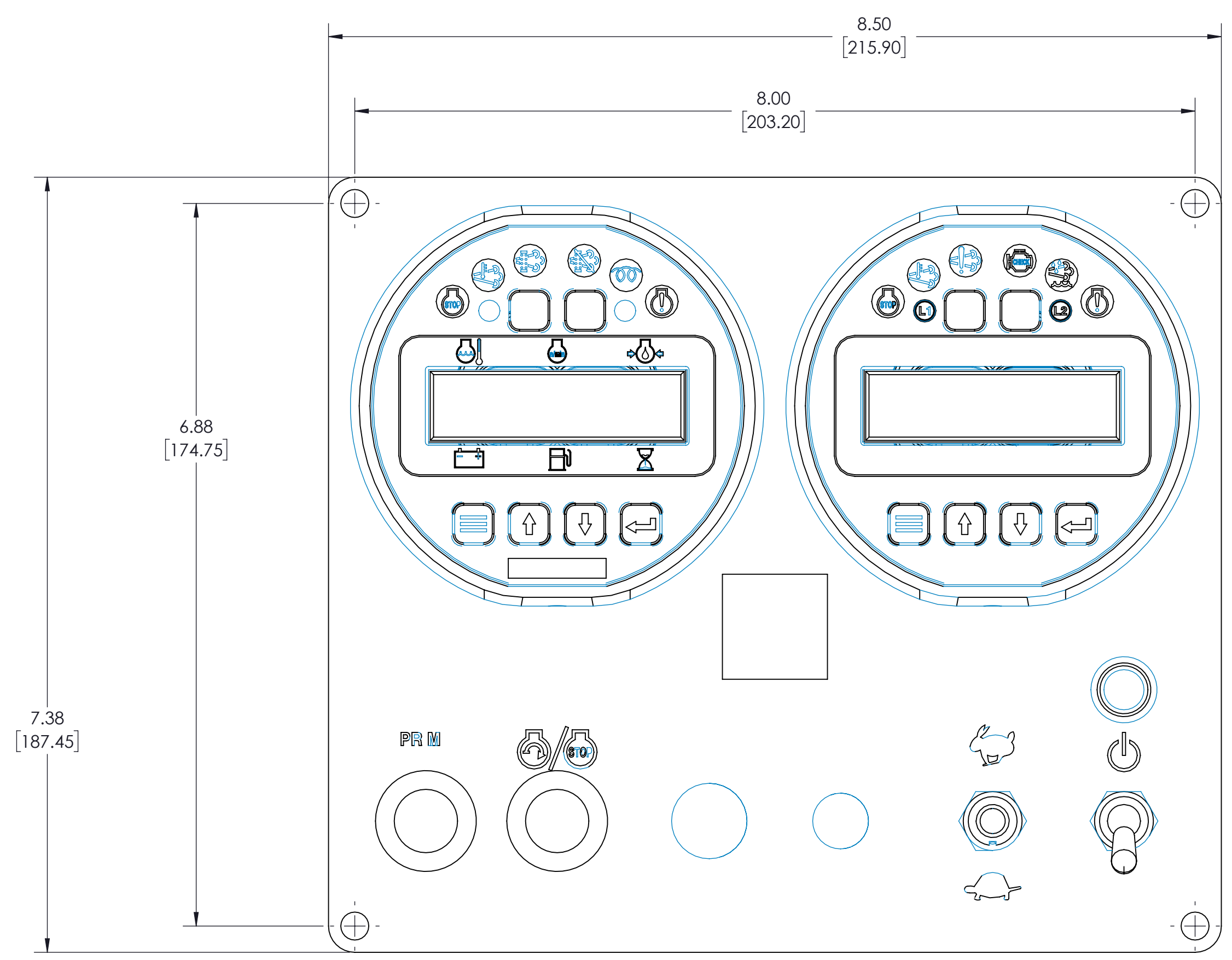
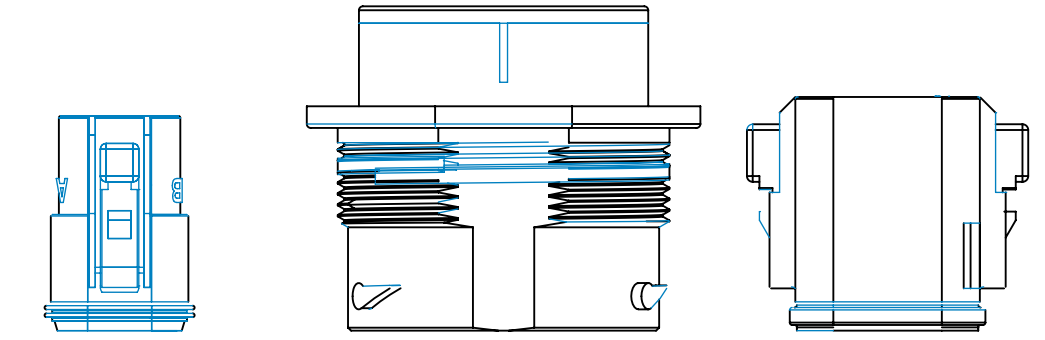
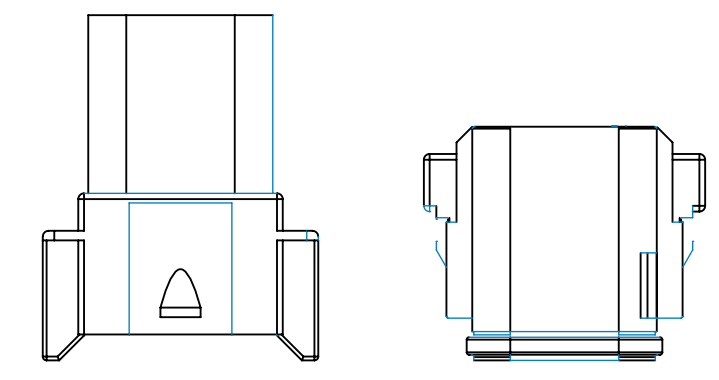


Ø.266 [6.76]

**MASTER PANEL**



**AUX PANEL**



REMOVE SHARP EDGES		THIRD ANGLE PROJECTION		MODEL		SHEET	
MATERIAL DESCRIPTION		OLD PART NO.		PANELS		1/1 D	
MASS		PATTERN NO.		TOLERANCE EXCEPT AS NOTED		Darley ITASCA, IL	
0.00 LBS		-		.00 ±.03		CHIPPewa FALLS, WI	
THIS DESIGN IS THE PROPERTY OF WS. DARLEY CO. - UNAUTHORIZED REPRODUCTION IS PROHIBITED		DO NOT SCALE PRINT		DRWN - TED		ENGINE PANELS - DIGITROL, KUBOTA D902	
ALL DIMENSIONS IN INCHES UNLESS NOTED		DATE: 11/20/2017		SCALE: 1:1		DIGITROL	