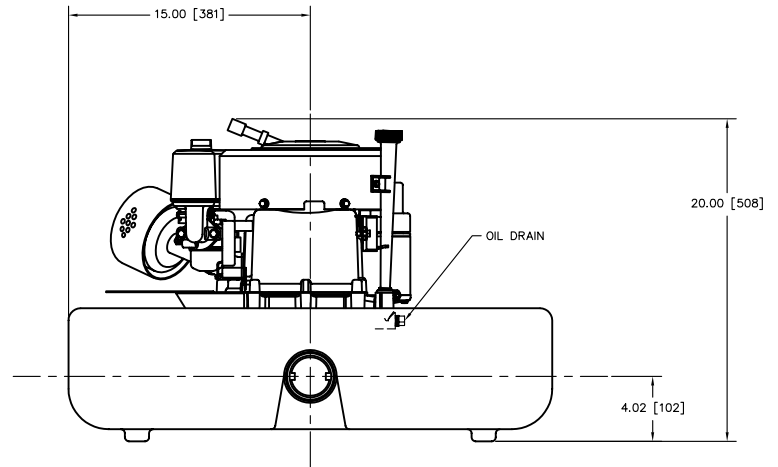
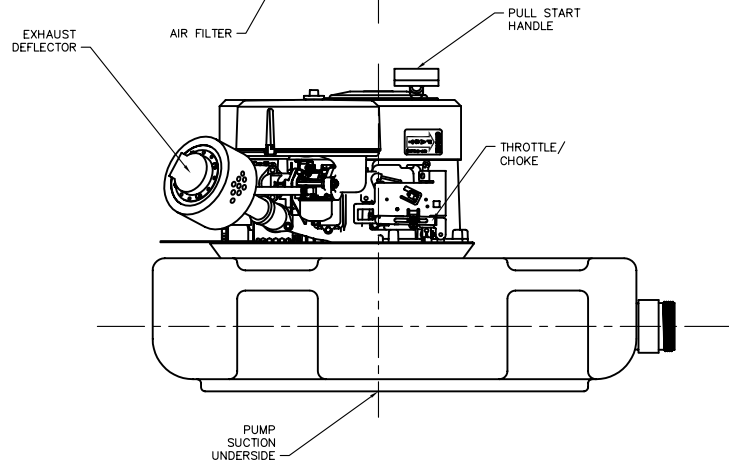
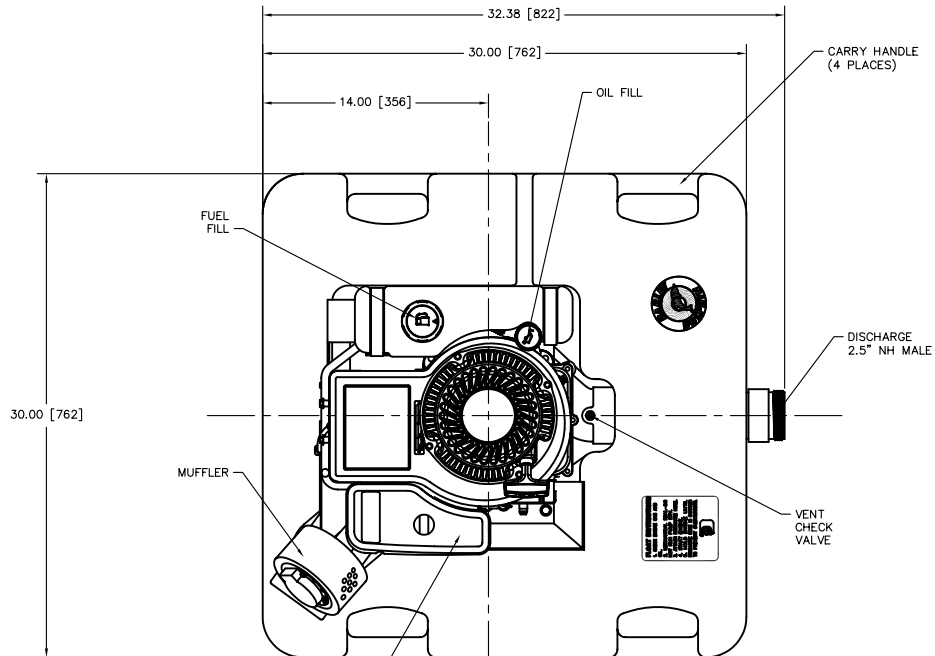


REVISIONS				
LTR	DESCRIPTION	DATE	CHG NO.	APPR'D



APPROXIMATE WEIGHT
120 LBS
[95.3 KG]

REMOVE SHARP EDGES

MATERIAL DESCRIPTION: - - -		MATERIAL NO. -	PATTERN NO. -	DATE: 20JUN02	 W.S. DARLEY & CO. MELROSE PARK, IL - CHEPPONA FALLS, WI DWG - HEF DIMENSIONAL SCALE 1/4 DHD1700
THIS DESIGN IS THE PROPERTY OF W.S. DARLEY AND CO. - UNAUTHORIZED REPRODUCTION IS PROHIBITED		ALL DIMENSIONS IN INCHES UNLESS NOTED		DO NOT SCALE PRINT	