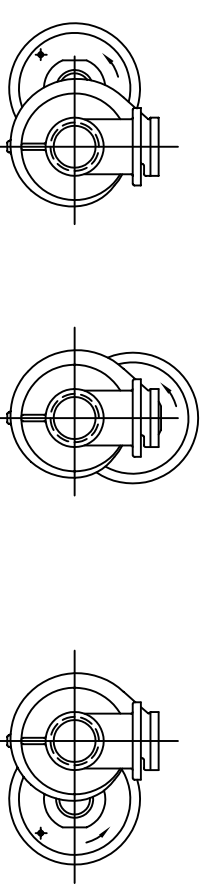
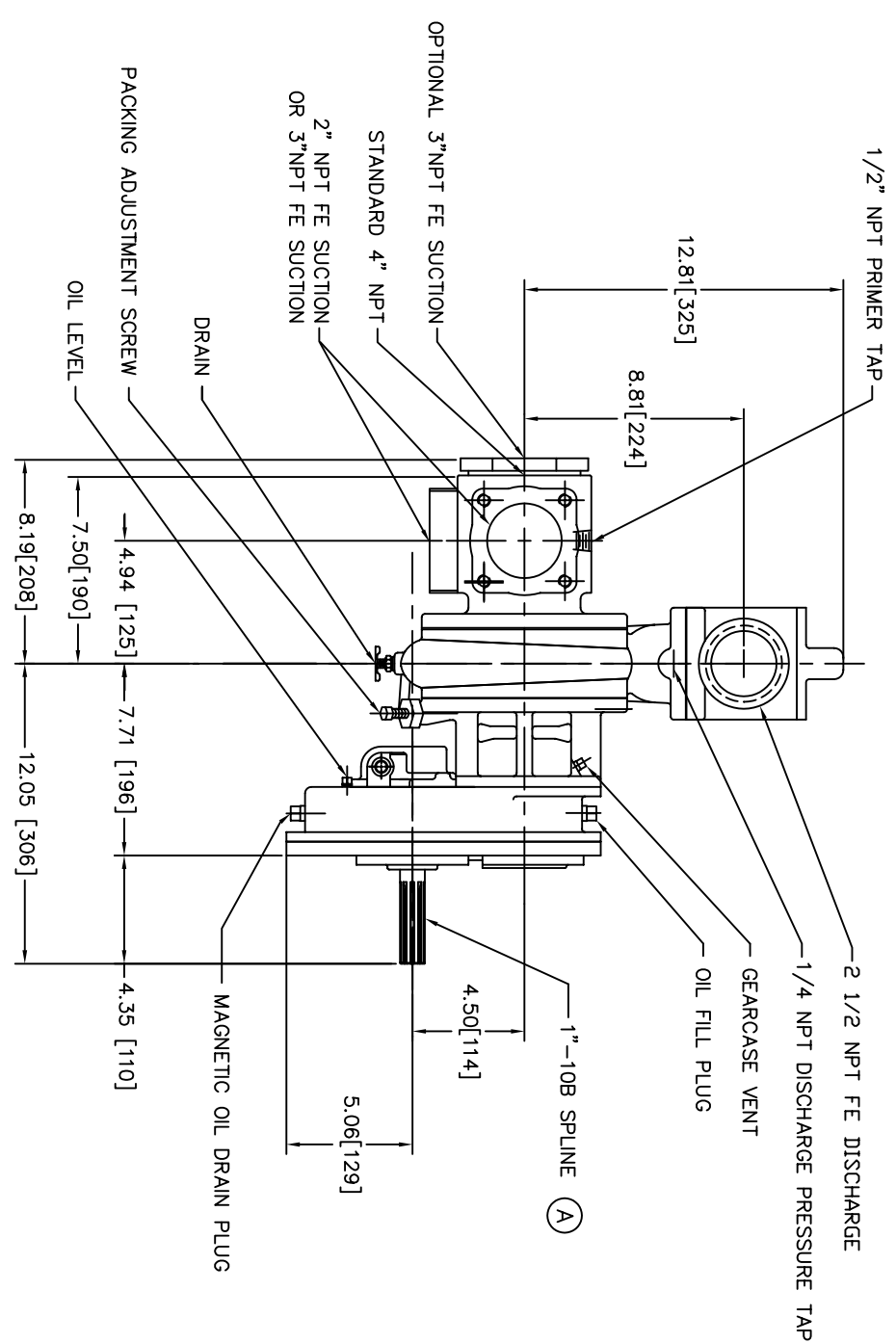


REVISIONS			
LTR	DESCRIPTION	DATE	CHG. NO.
A	UPDATED DRIVE SHAFT TO #5015600 UPDATED BRG.CAP TO #2303204 MODIFIED DIMS PER CUST. REQST.	04/28/04	-
			JCD



OPTIONAL GEARCASE ROTATIONS

150 LBS
[68 KG]

OLD PART NO.
H469

THIS DESIGN IS THE PROPERTY OF
W.S. DARLEY & CO. ANY
REPRODUCTION IS PROHIBITED

ALL DIMENSIONS IN
INCHES UNLESS NOTED

DO NOT SCALE PRINT

TOLERANCE
FINISHED
AS SHOWN
±.000 ±.010
ANGLES 3R

W.S. DARLEY & CO.
MELROSE PARK, IL - CHEPPENVA FALLS, WI

DWG - HM250/350

DATE NOV/29/95

SCALE 1/4

DHD04.06

