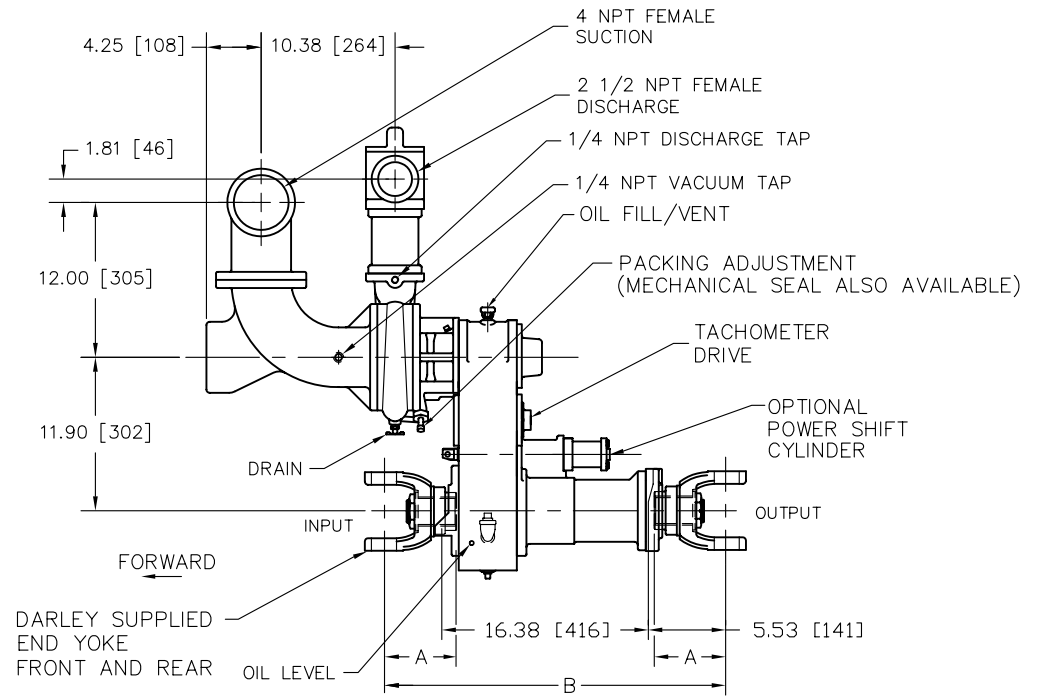
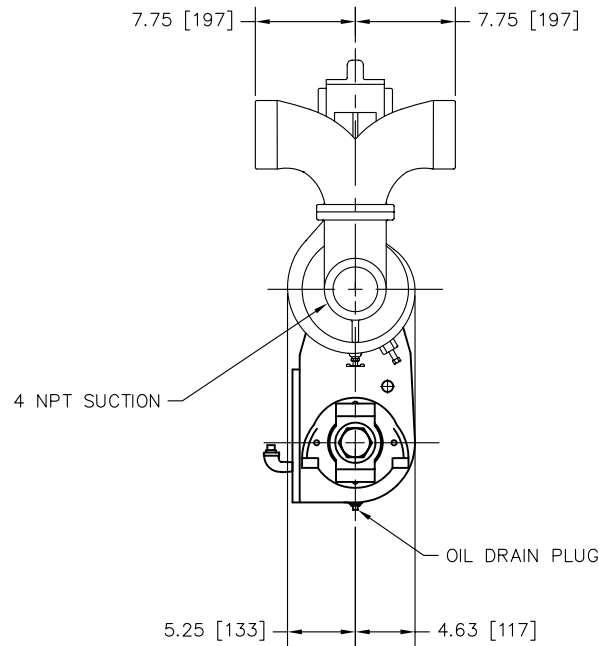
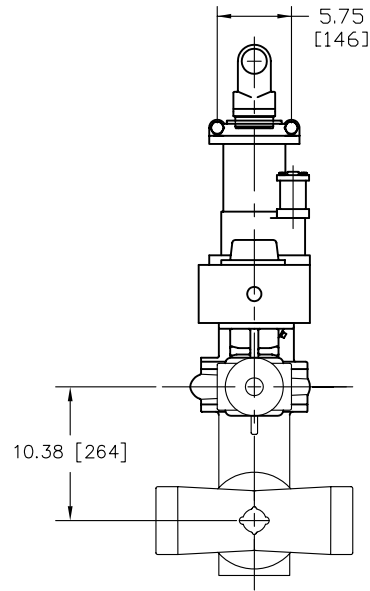


REVISIONS				
LTR	DESCRIPTION	DATE	CHG NO.	APPR'D

2.5" SHAFTS

YOKE SERIES	A	B
1550	5.75 [146]	26.92 [684]
1610	6.12 [155]	27.66 [703]
1710	5.63 [143]	26.68 [678]
1760	6.00 [152]	27.42 [696]
1810	5.88 [149]	27.18 [690]



REMOVE SHARP EDGES

INCH [MILLIMETER]



OLD PART NO. -		W.S. DARLEY & Co. MELROSE PARK, IL - CHIPPEWA FALLS, WI
PATTERN NO. -		
MATERIAL DESCRIPTION: -	MATERIAL NO. -	DWG - KHM #2 ASSEMBLY DIMENSIONAL
THIS DESIGN IS THE PROPERTY OF W.S. DARLEY AND CO. - UNAUTHORIZED REPRODUCTION IS PROHIBITED	ALL DIMENSIONS IN INCHES UNLESS NOTED	DO NOT SCALE PRINT
DR'N TED	CHKD	TRCD
DATE NOV16,1998	SCALE 1/8	DHD0105