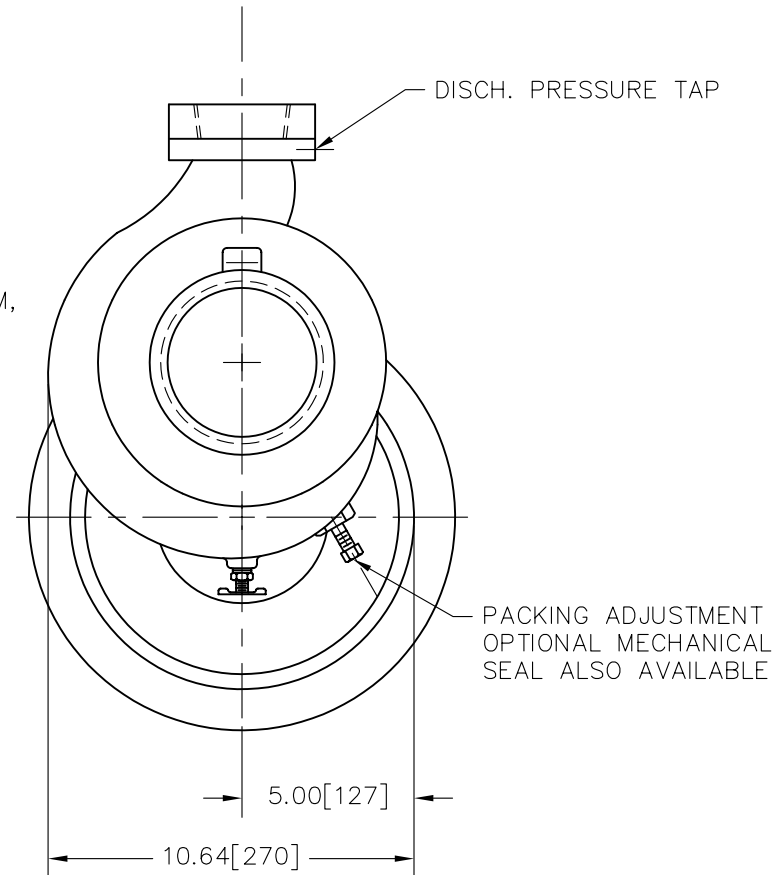
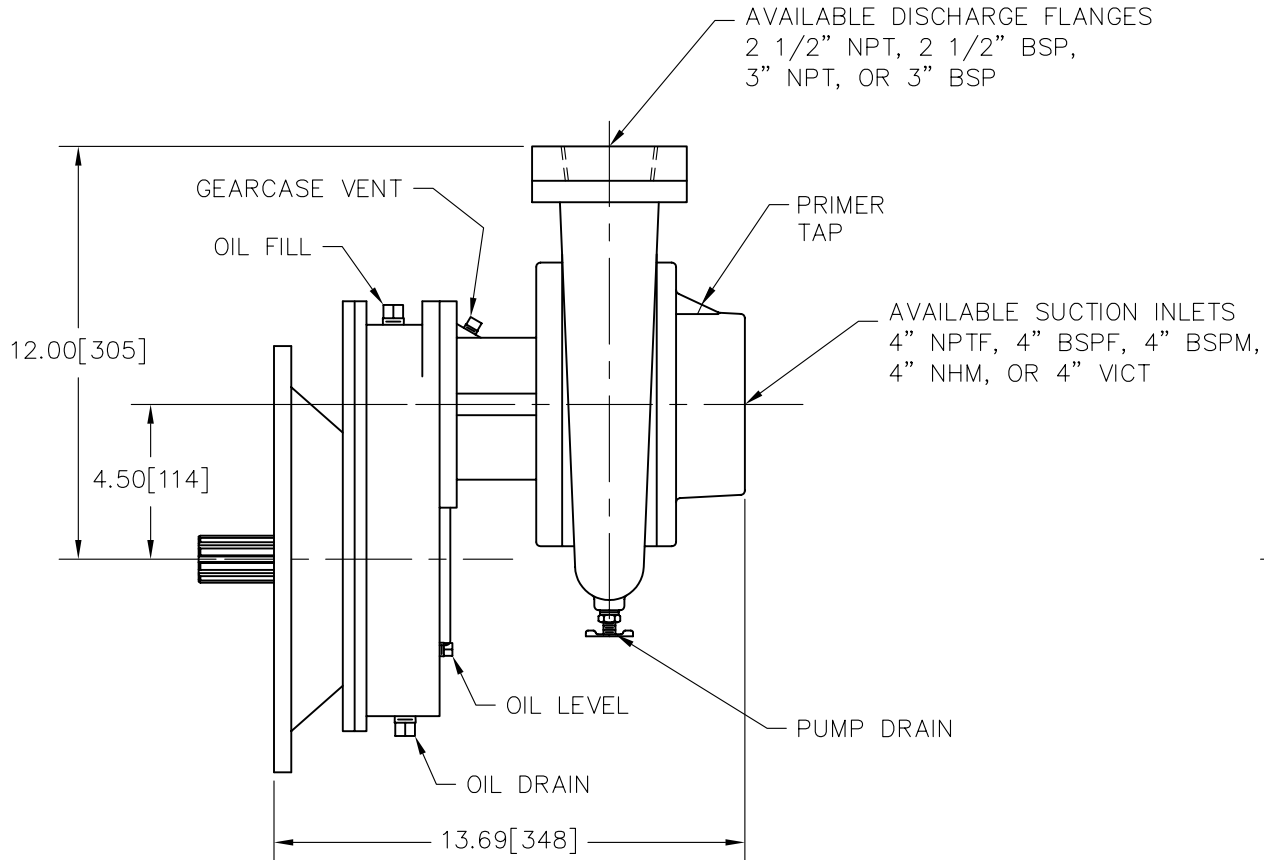
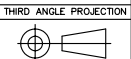


REVISIONS				
LTR	DESCRIPTION	DATE	CHG NO.	APPR'D



APPROXIMATE WEIGHT: 145 LBS [66 KG]

INCH
[MILLIMETER]



MATERIAL DESCRIPTION:

-

MATERIAL NO.

-

OLD PART NO.

-

PATTERN NO.

-



W.S. DARLEY & Co.
MELROSE PARK, IL - CHIPPEWA FALLS, WI

DWG - HE500 DIMENSIONAL
SAE #5, STRIPPED

THIS DESIGN IS THE PROPERTY OF
W.S. DARLEY AND CO. - UNAUTHORIZED
REPRODUCTION IS PROHIBITED

ALL DIMENSIONS IN
INCHES UNLESS NOTED

DO NOT SCALE PRINT

DR'N TED
CHKD
TRCD

DATE MAY14,97

SCALE 1/4

DHDO104