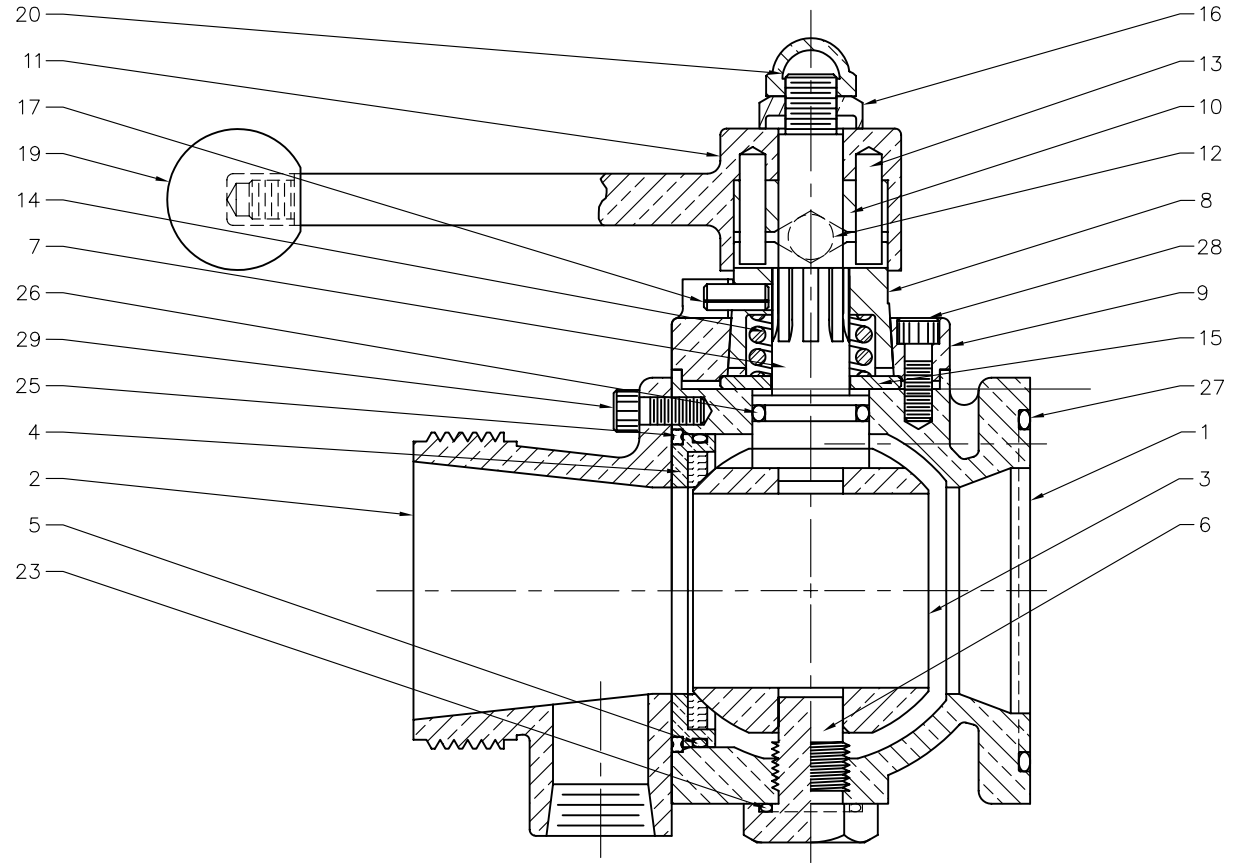


LETTER	CHANGE NO.	DATE
(A)	96-53	5/15/96

REP NO.	NAME OF PART	QTY.
1	DISCHARGE VALVE BODY	1
2	VALVE NIPPLE	1
3	VALVE BALL	1
4	VALVE SEAT	1
5	O'RING	1
6	BALL GUIDE SCREW	1
7	VALVE STEM	1
8	CLUTCH SLEEVE	1
9	CLUTCH RING	1
10	LEVER CAM	1
11	FRONT MOUNT LEVER	1
12	CAM BALL	2
13	VALVE PIN	2
14	VALVE SPRING	1
15	VALVE STEM WASHER	1
16	ADJUSTING NUT	1
17	SPRING PIN-STL (A)	1
19	CONTROL LEVER BALL	1
20	CAP NUT	1
23	O'RING	1
25	QUAD RING	1
26	O'RING	1
27	O'RING	1
28	SOCKET HEAD CAP SCREW	4
29	SOCKET HEAD CAP SCREW	8



INCH
[MILLIMETER]



OLD PART NO.
G1200

TOLERANCE
EXCEPT
AS NOTED
.00 ±.03
.000 ±.010
ANGLES ±1°

W.S. Darley & Co.
MELROSE PARK, IL - CHIPPEWA FALLS, WI

DWG - BALL VALVE ASSEMBLY
CROSS SECTION

DR'N JCM
CHKD
TRCDLMH 5/96

DATE NOV12,65
SCALE 1/1

DGC0100

THIS DESIGN IS THE PROPERTY OF
W.S. DARLEY AND CO. - UNAUTHORIZED
REPRODUCTION IS PROHIBITED

ALL DIMENSIONS IN
INCHES UNLESS NOTED

DO NOT SCALE PRINT