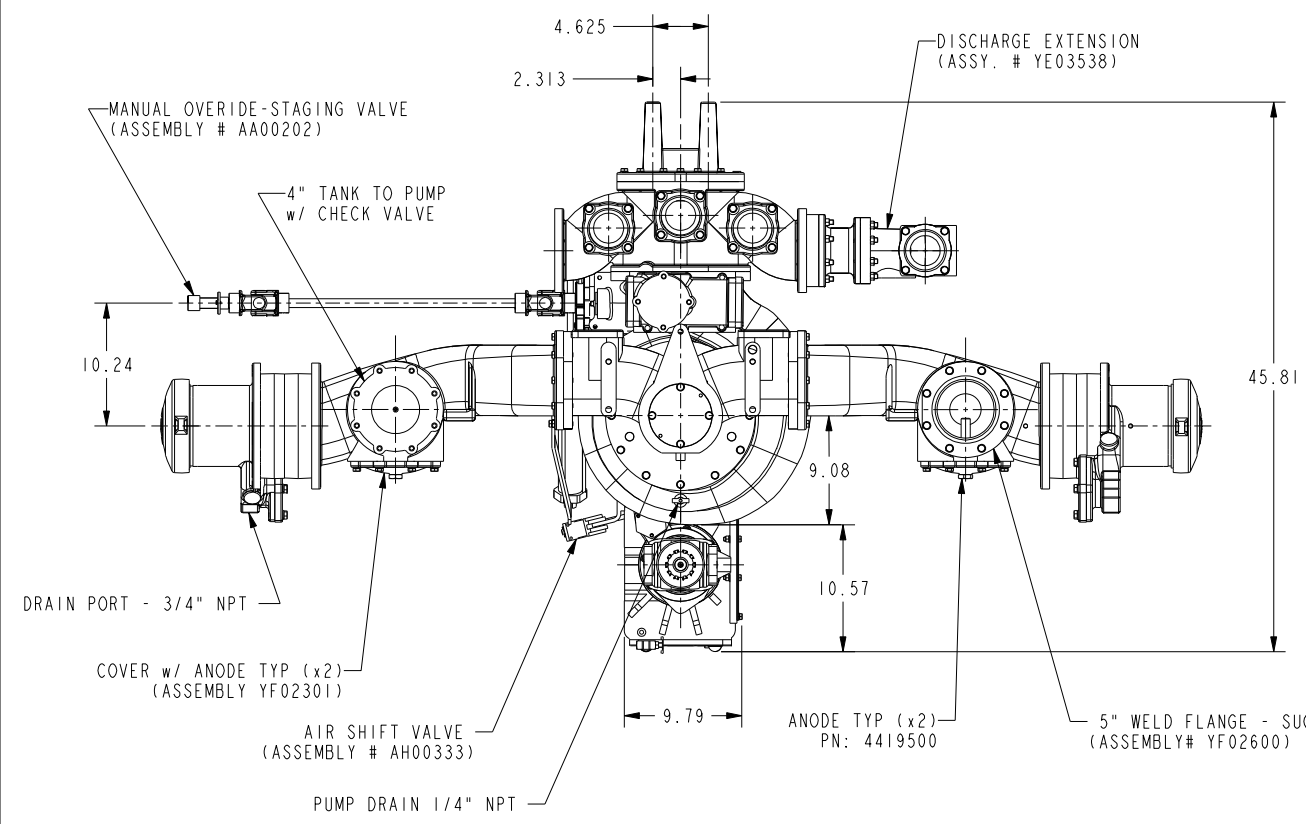
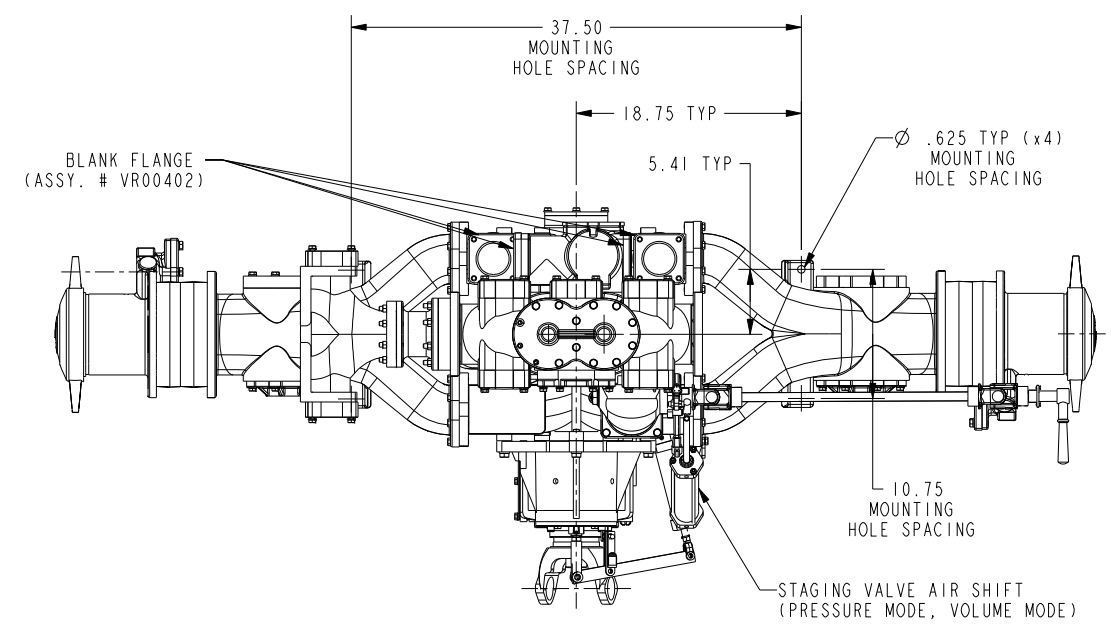
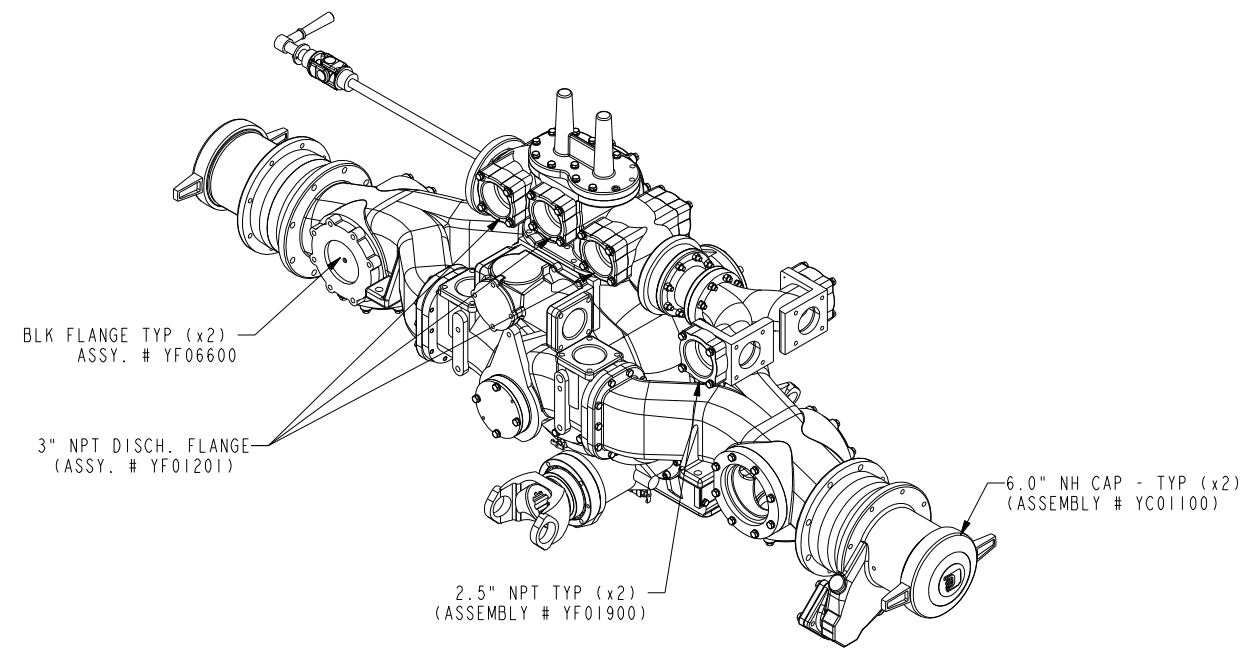


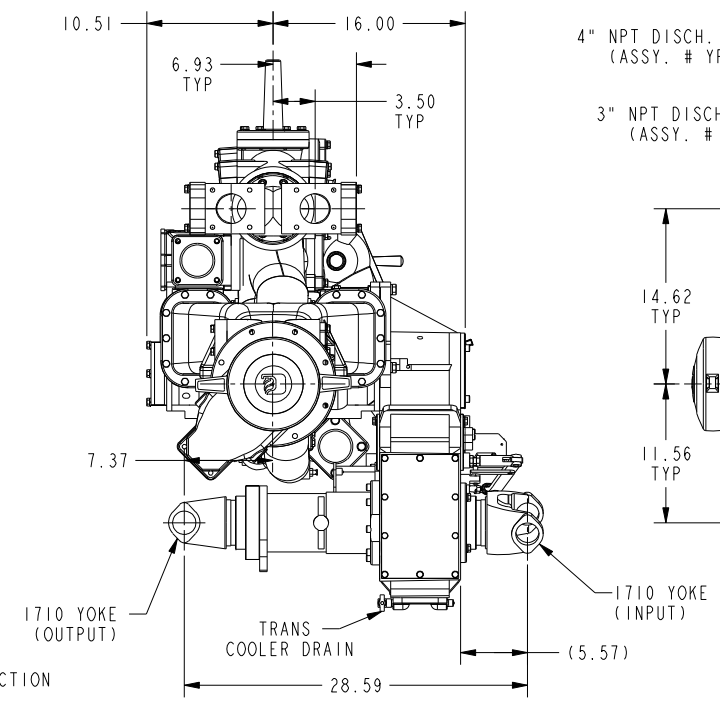
ASSEMBLIES INCLUDED:	
KD00608	YF03304
AH00333	YF01201
AP00960	2105703
TM00225	1120500
1804100	YC01100
AM00401	KC00315
AM00403	YF06600
PE00107	VR00402
KR03625	4813410
2801404	AB00400
YE03538	AA00202
YF00404	YF01900

REVISIONS				
LTR	DESCRIPTION	DATE	CHG NO.	APPR'D

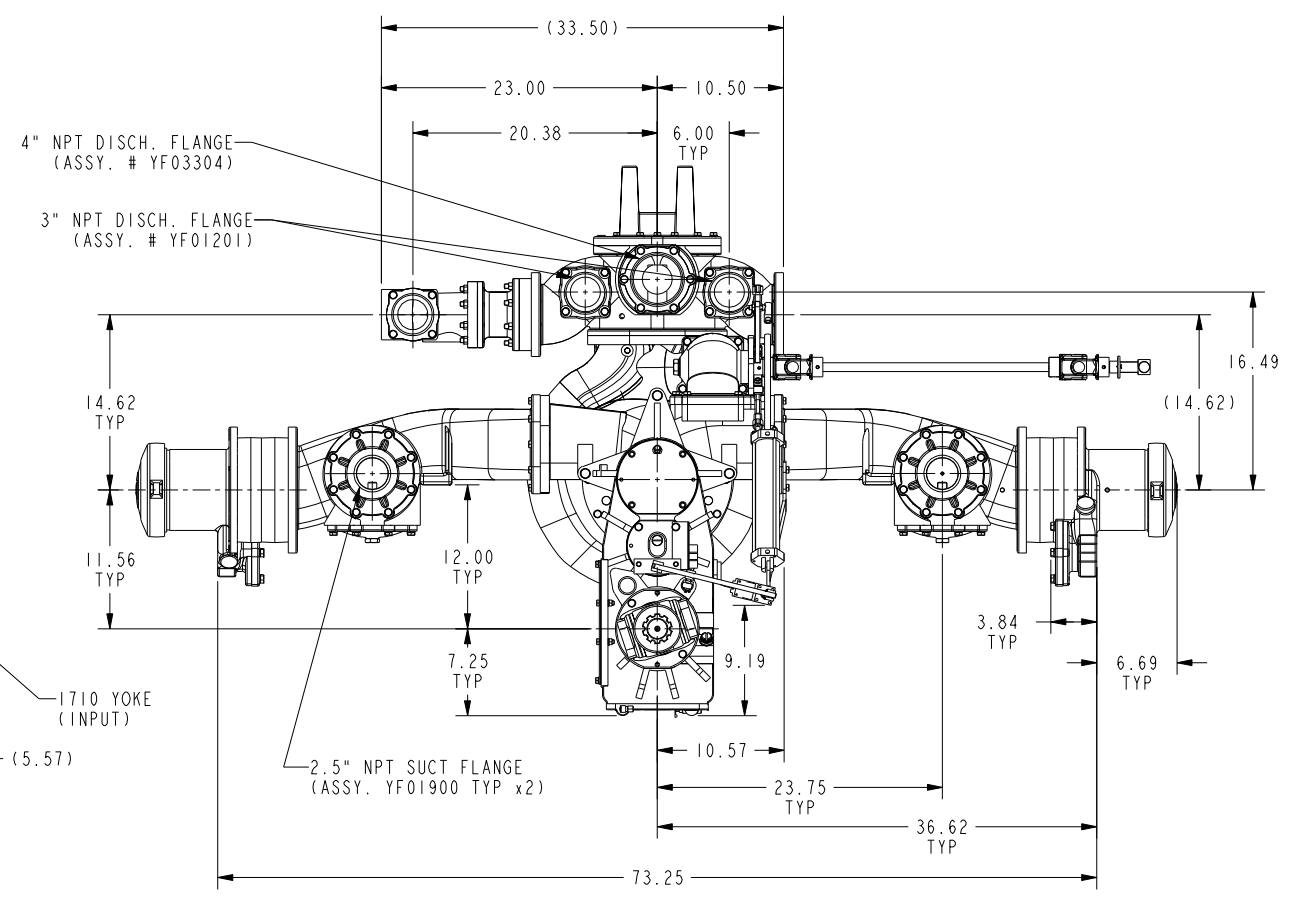


REAR VIEW

CLOCKWISE SHAFT ROTATION  
WHEN FACING PUMP FROM FRONT OF TRUCK



VIEW FROM PASSENGER SIDE



FRONT VIEW

REMOVE SHARP EDGES

INCH (MILLIMETER)



OLD PART NO.

TOLERANCE EXCEPT AS NOTED

W.S. Darley & Co.  
ITASCA, IL - CHIPPEWA FALLS, WI

MATERIAL DESCRIPTION:  
REF PUMP SERIAL NUMBER 612357

MATERIAL NO.

PATTERN NO.

00 ±.03  
1.000 ±.010  
ANGLES ±1°

DWG - EMI500/2000 REAR, SMCAL  
ED.-CA. (1710 DRIVE YOKES)

THIS DESIGN IS THE PROPERTY OF W.S. DARLEY AND CO. UNAUTHORIZED REPRODUCTION IS PROHIBITED

ALL DIMENSIONS IN INCHES UNLESS NOTED

DO NOT SCALE PRINT

DR'N KMD  
CHKD BAH  
TRCD

DATE 20-Sep-17  
SCALE 1/8  
DED0062

MODEL NAME	MOL CREATED	SHEET
DED0062		1/1