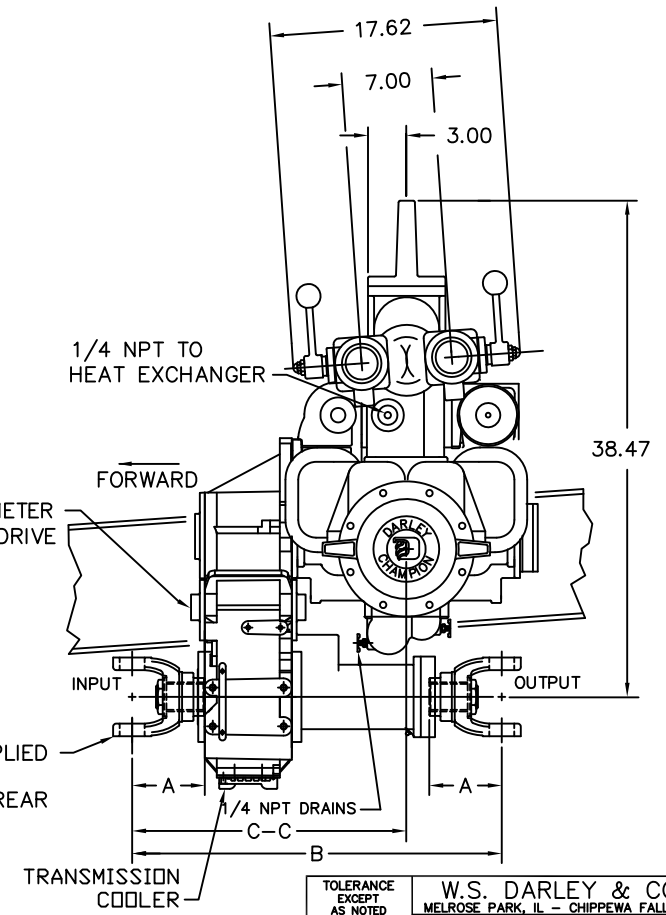
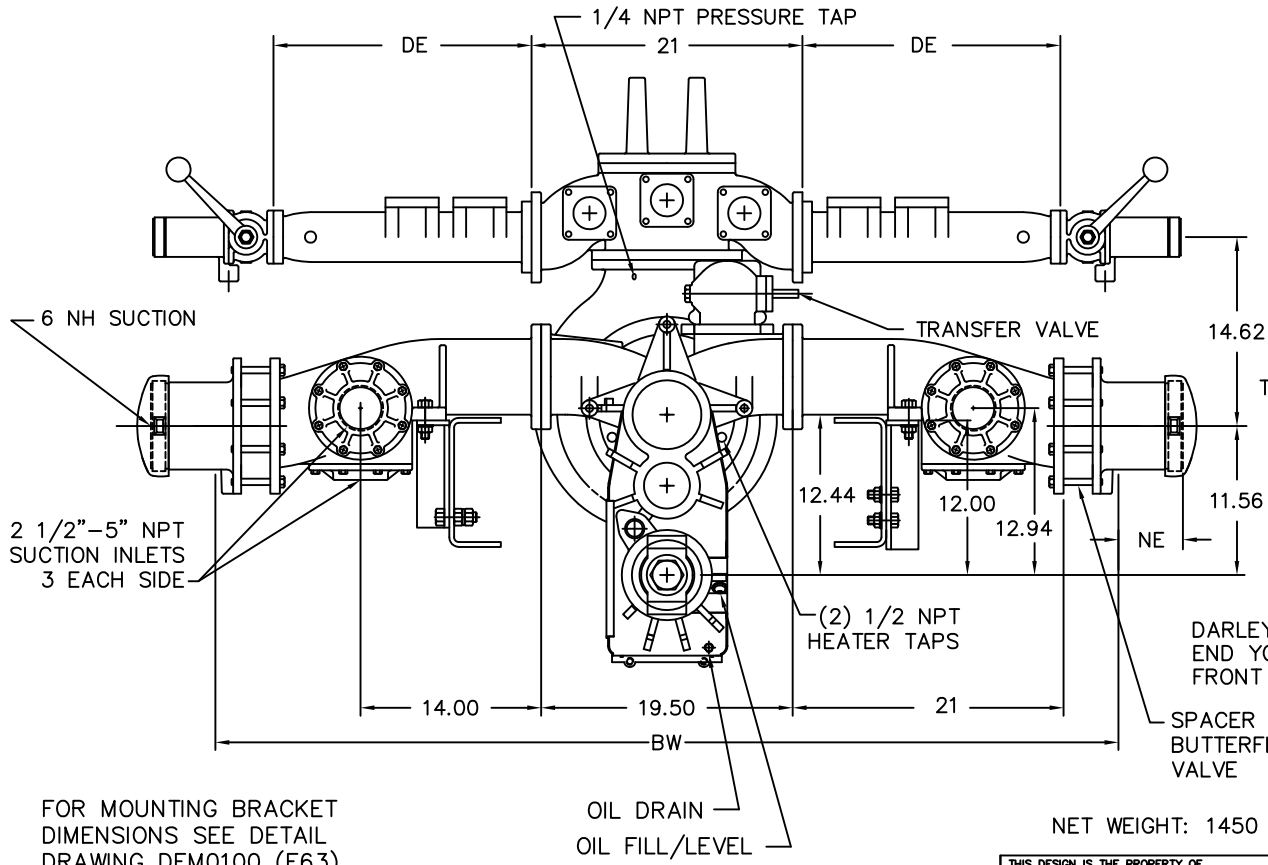
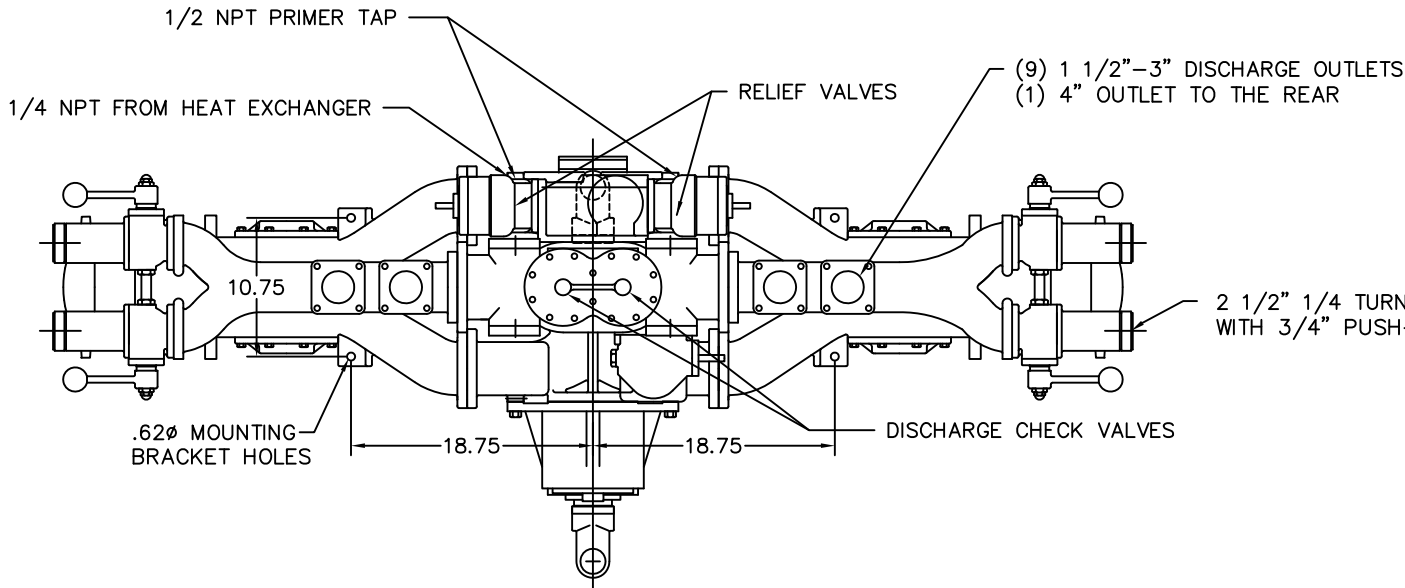


YOKE SERIES	A	B	C-C
1550	5.75	28.90	21.38
1610	6.12	29.64	21.75
1710	5.63	28.66	21.25
1760	6.00	29.40	21.62
1810	5.88	29.16	21.50

SEE DRAWING DNM0000 (N188) FOR DRIVELINE PART DETAILS

BODY PANEL DIMENSIONS		
BW	NE	DE
70	5	20
72	4	21



FOR MOUNTING BRACKET DIMENSIONS SEE DETAIL DRAWING DEM0100 (E63)

NET WEIGHT: 1450 LBS

THIS DESIGN IS THE PROPERTY OF W.S. DARLEY AND CO. - UNAUTHORIZED REPRODUCTION IS PROHIBITED

ALL DIMENSIONS IN INCHES UNLESS NOTED

DO NOT SCALE PRINT

TOLERANCE EXCEPT AS NOTED FRAC DIM ±.01 .00 ±.01 .000 ±.005 ANGLES ±1°	W.S. DARLEY & CO. MELROSE PARK, IL - CHIPPEWA FALLS, WI	
	DWG-EM1500/2000 PUMP REAR DIMENSIONAL	DATE 06OCT00
	DR'N DMD CHKD MCR TRCD	SCALE 1/8
	DED0051	



OLD PART NO. E62