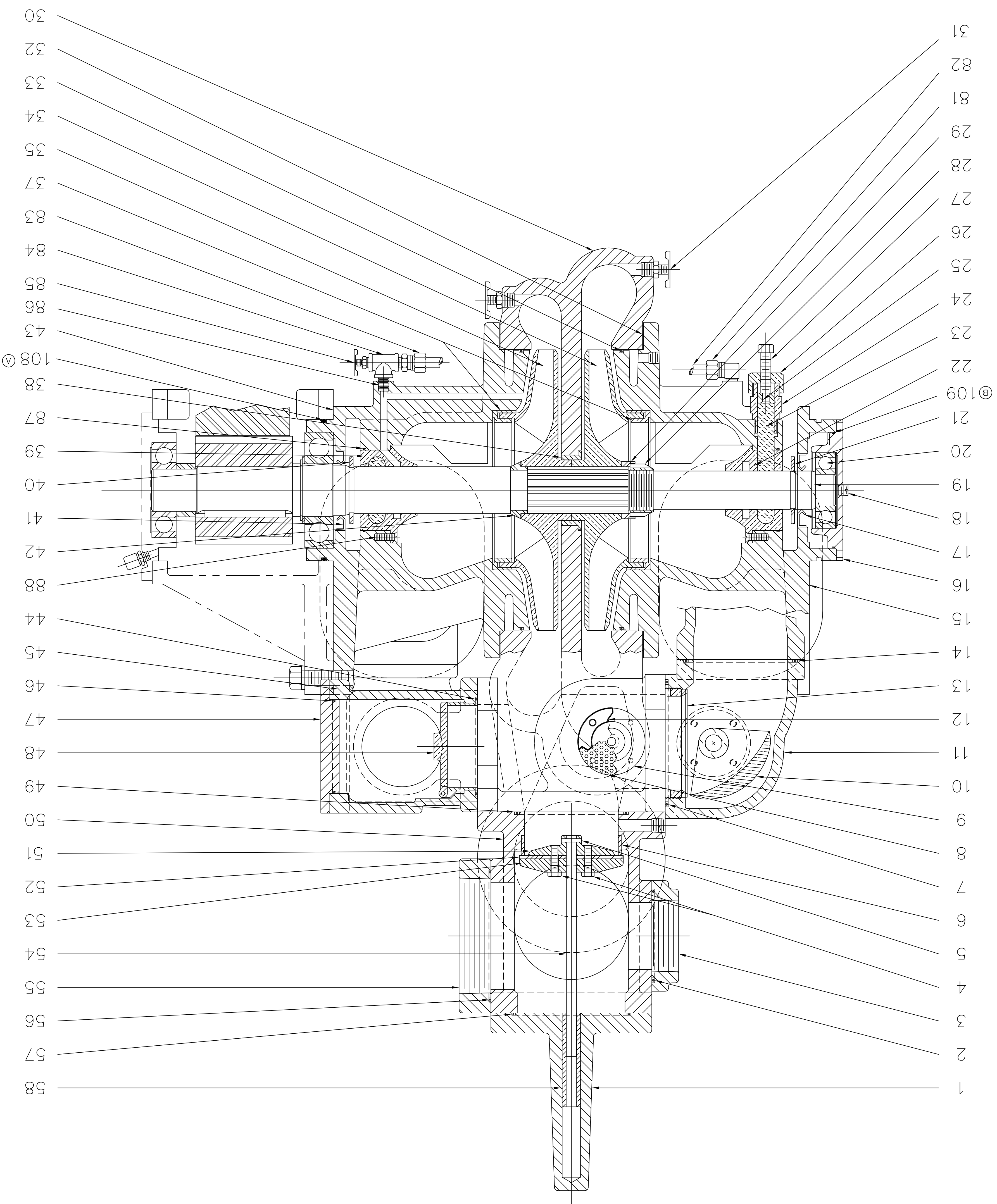


REVISIONS
 DATE
 BY
 CHECKED
 DATE
 BY

OLD PART NO.
E74
 W.S. DARLEY & CO.
 MELROSE PARK, ILL. - CHIPPEWA FALLS, WI
 DWG - EM PUMP
 ASSEMBLY
 DATE JUL27,94
 SCALE 1/2
DEC0100



DRN TED
 CHKD
 TRCD

EM PUMP ASSEMBLY PARTS LIST
DRAWING NO. DEC0100

Rep. No.	Name Of Part	Qty.	Rep. No.	Name of Part	Qty.
1	Discharge Head over	1	45	Relief Valve Manifold	1
2	O Ring - Adapter Flange	9	46	O Ring - Manifold Cover	1
3	Adapter Flange	9	47	Manifold Cover	1
4	Hex Head Cap Screw	4	48	Bypass Check Valve	1
5	Brass Pin	2	49	O Ring - Discharge Head	2
6	Check Valve Seat	2	50	Discharge Head	1
7	O Ring - Staging Valve	1	51	Check Valve Diffuser	2
8	Cooling Strainer	1	52	Check Valve Rubber	2
9	Strainer Flange	1	53	Check Valve Plate	2
10	Staging Valve	1	54	Check Valve Stem	2
11	Staging Valve Body	1	55	Adapter Flange	1
12	Gasket - Cooling Strainer	1	56	O Ring - Adapter Flange	1
13	Staging Value Seat	1	57	O Ring - Discharge Head Cover	2
14	O Ring - Staging Value	1	58	Check Valve Bushing	2
15	Suction Head - Outboard	1	81	Compression Fitting -90	1
16	Bearing Cap	1	82	Tubing	2
17	Oil Seal - Outboard	1	83	Compression Fitting	1
18	Slotted Head Pipe Plug	1	84	Pipe Tee	1
19	Pump Shaft	1	85	Drain Cock	1
20	Bearing - Pump Shaft	1	86	Close Nipple	1
21	Water Slinger - Outboard	1	87	O Ring - Stuffing Box	2
22	Stuffing Box - Outboard	1	88	Stuffing Box Screw	6
23	Pump Packing	10	108	O Ring – Suction Head	1
24	Packing Plunger Guide	2	109	O Ring – Bearing Cap	1
25	Packing Plunger	2			
26	Packing Plunger Nut	2			
27	Packing Plunger Stud	2			
28	Impeller Lock Nut	1			
29	Impeller Lock Ring	1			
30	Pump Casing	1			
31	Drain Cock	2			
32	Gasket - Pump Casing	2			
33	O Ring - Pump Casing	2			
34	Impeller - Second Stage	1			
35	Impeller - First Stage	1			
37	Seal Ring	2			
38	Interstage Seal Ring	1			
39	Stuffing Box - Inboard	1			
40	Water Slinger - Inboard	1			
41	Oil Seal - Inboard	1			
42	Impeller Retaining Ring	1			
43	Suction Head - Inboard	1			
44	Ring - Relief Valve Manifold	2			

Prepared by: JSS
 Approved by: SJL

35.9

Rev. #:2
 Date: 9/12/12
 1201011