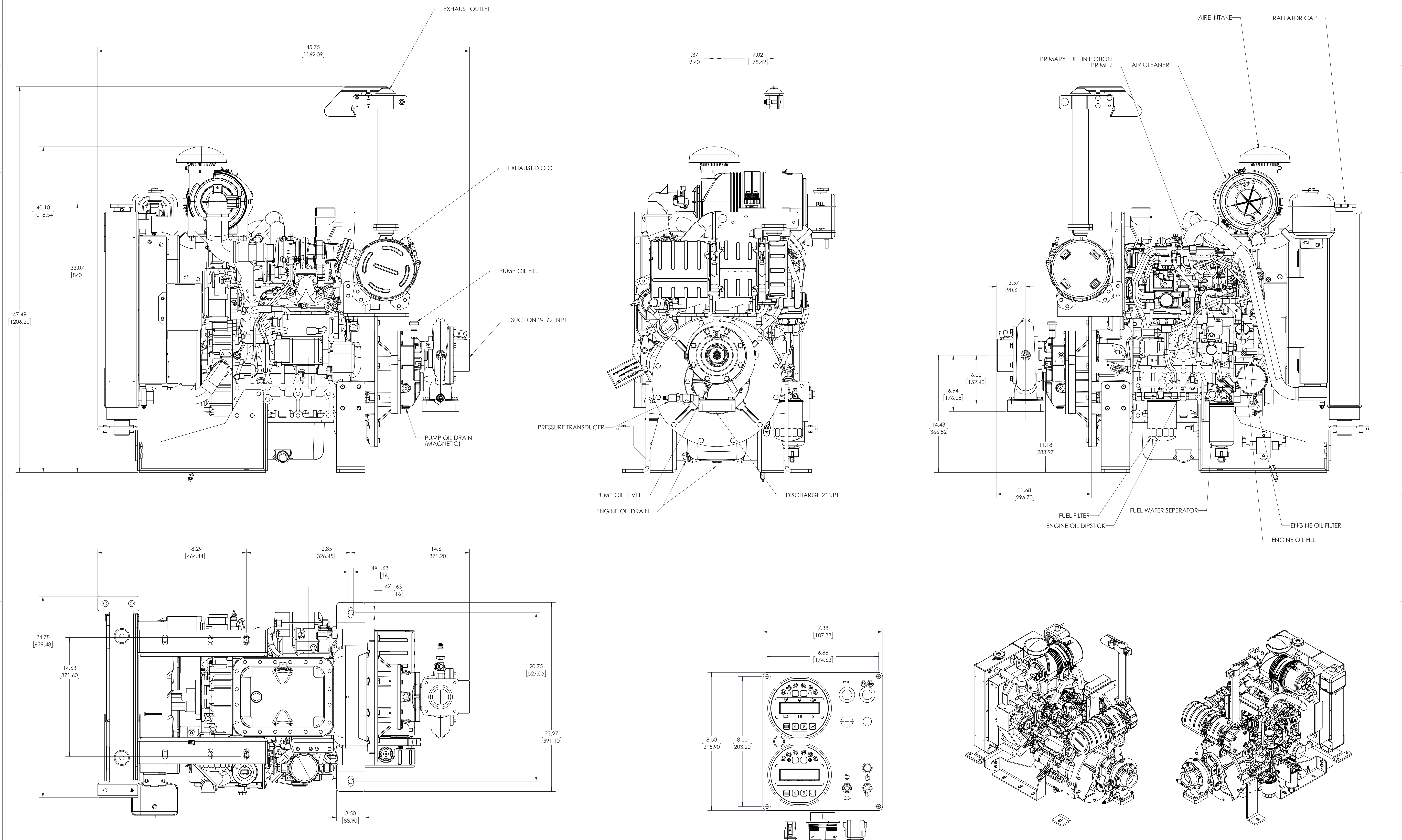


ITEM NO.	File Name	Darley Item Description (Line 1)	QTY.
1	4229902	ENGINE - KUBOTA, D1803T	1
2	TE00458	TRANS - AGE, SAE 4 HOUSING	1
3	2700704	GEAR - PINION, AG, 14DP, 20PA	1
4	2700604	GEAR - DRIVE, AG, 14DP, 20*PA	1
5	PA00633_6OCLOCK	PUMP - 2.5AG, MECH SEAL	1
6	YF02937	ASSY - FLANGE, 2.5" WELD	1
7	2800803	HEAD - SUCT, A	1
8	1080831	ELBOW - PIPE, ST, 0.25, 90 DEG	1

REVISIONS				
ZONE	REV.	DESCRIPTION	DATE	CHG NO.
				APPROVED



REMOVE SHARP EDGES		INCH (MILLIMETER)		MODEL		SHEET	
MATERIAL DESCRIPTION		MATERIAL NO.		DAD3207		1/1	
MASS		PATTERN NO.		TOLERANCE EXCEPT AS NOTED		ITASCA, IL	
DRAWN		DATE		DWG - 2.5AGE4BK - TRF 4		CHIPPEWA FALLS, WI	
CRED SLS		SCALE		DAE #4 ENGINE ADAPTER, 6 OCLOCK			
TRCD		DO NOT SCALE PRINT		DATE: 1/10/2022		DAD3207	