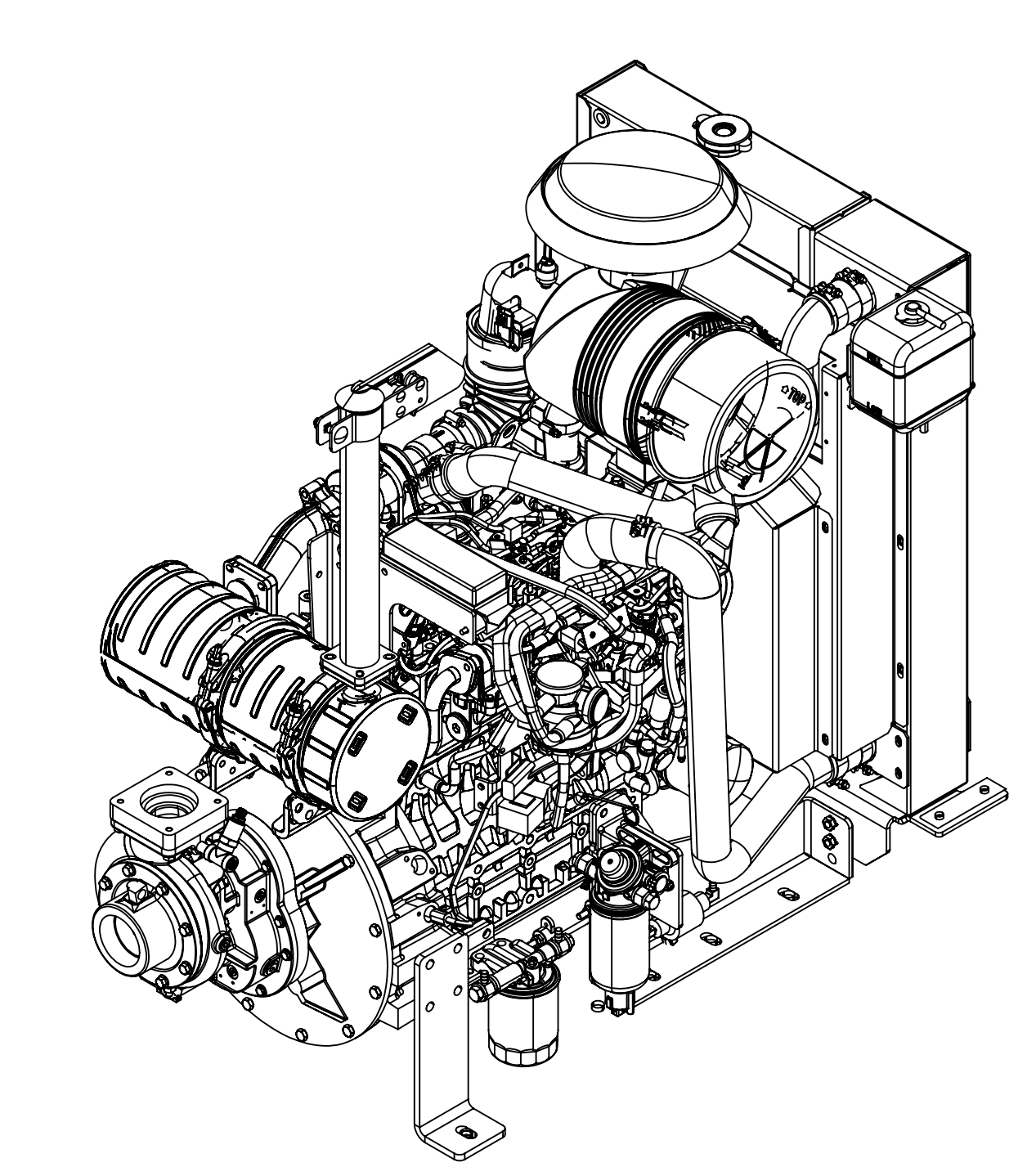
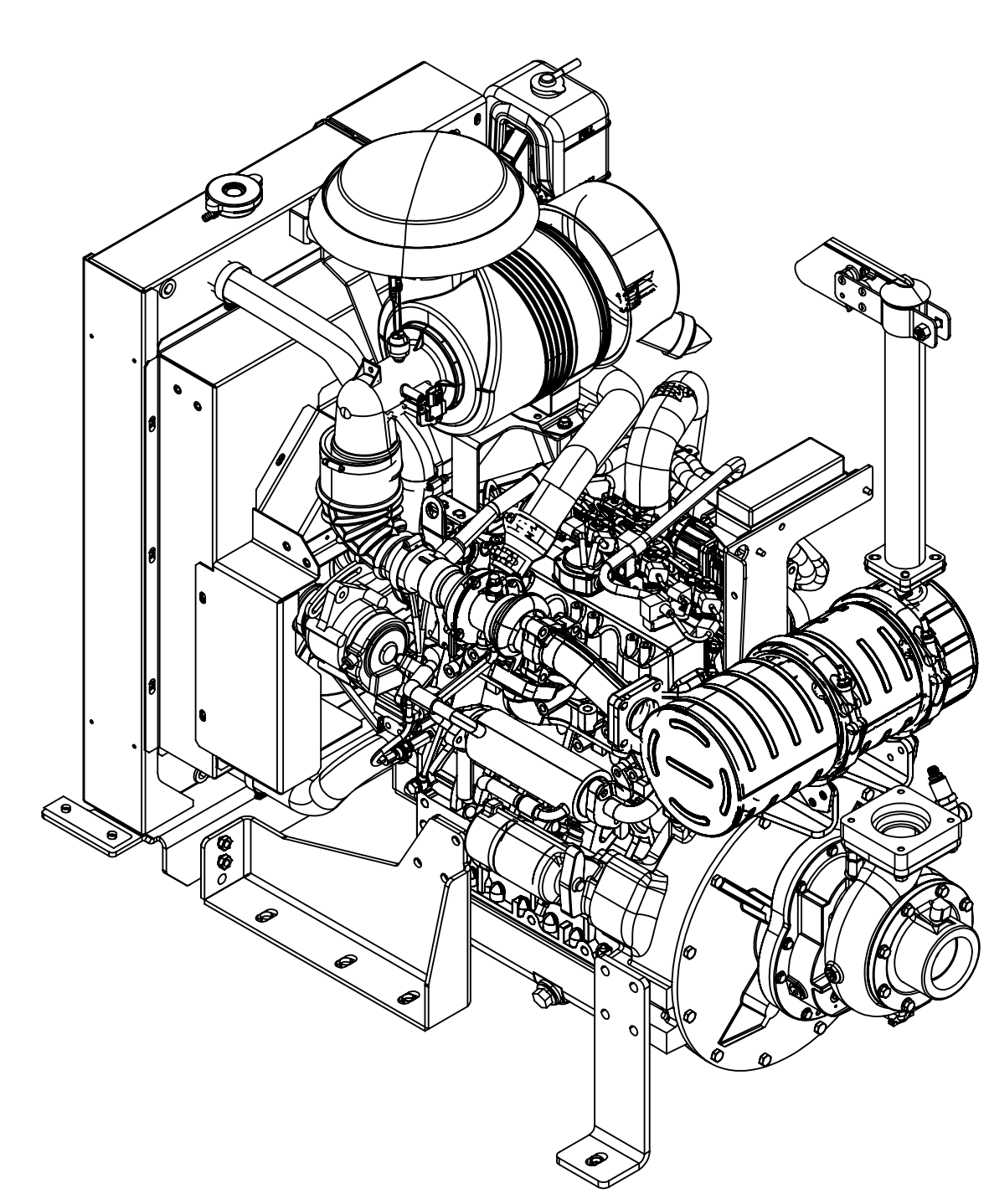
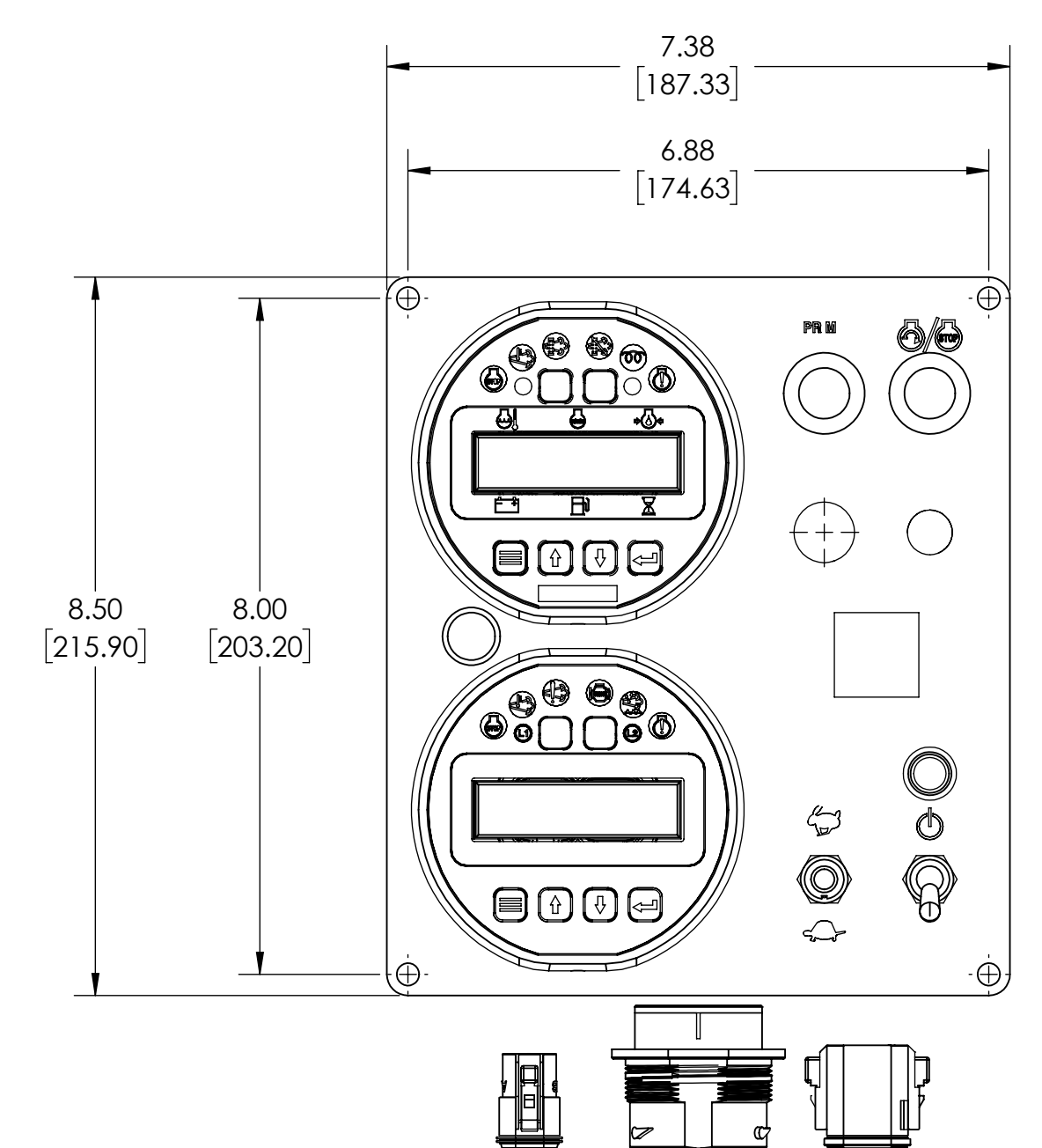
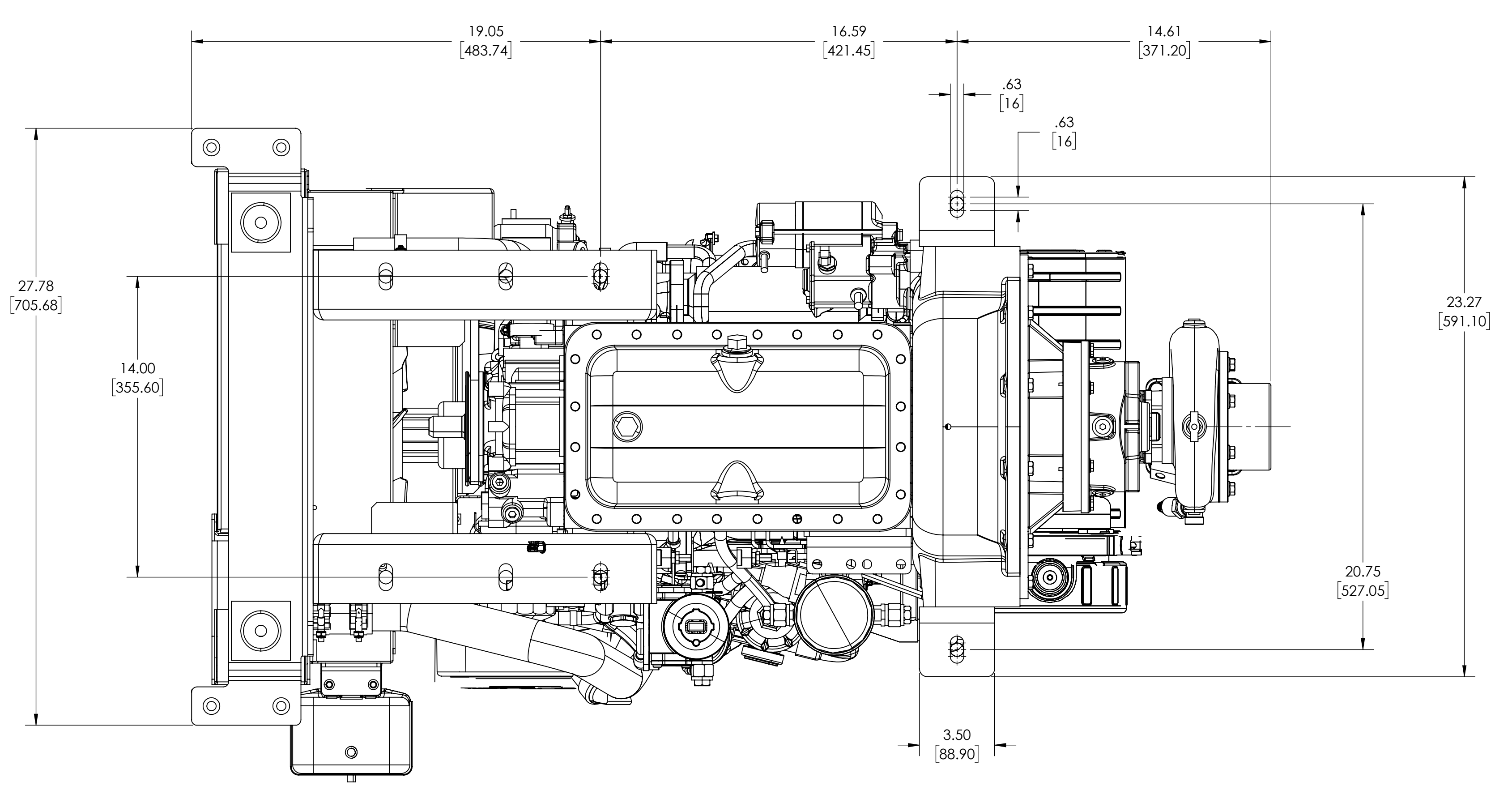
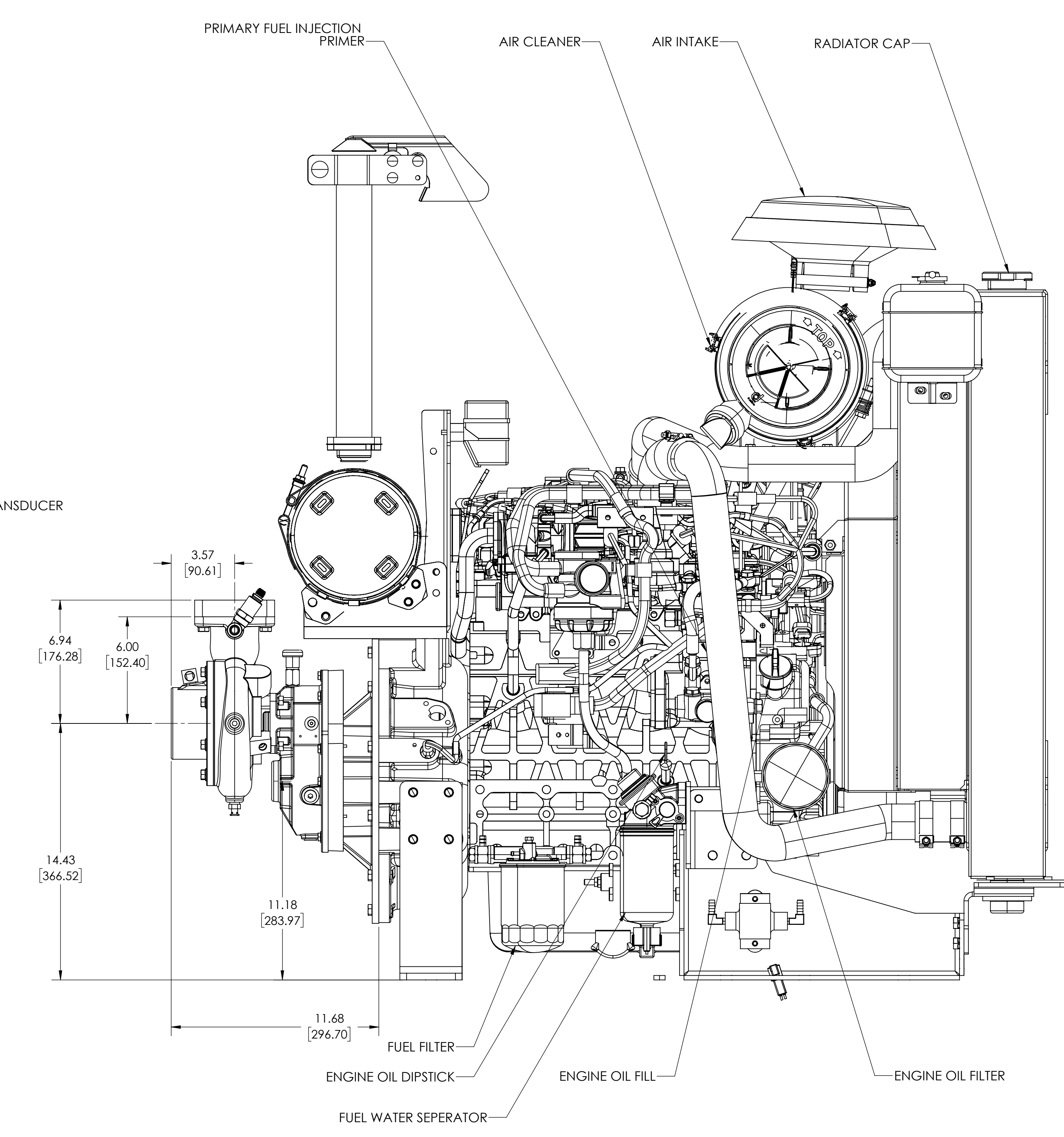
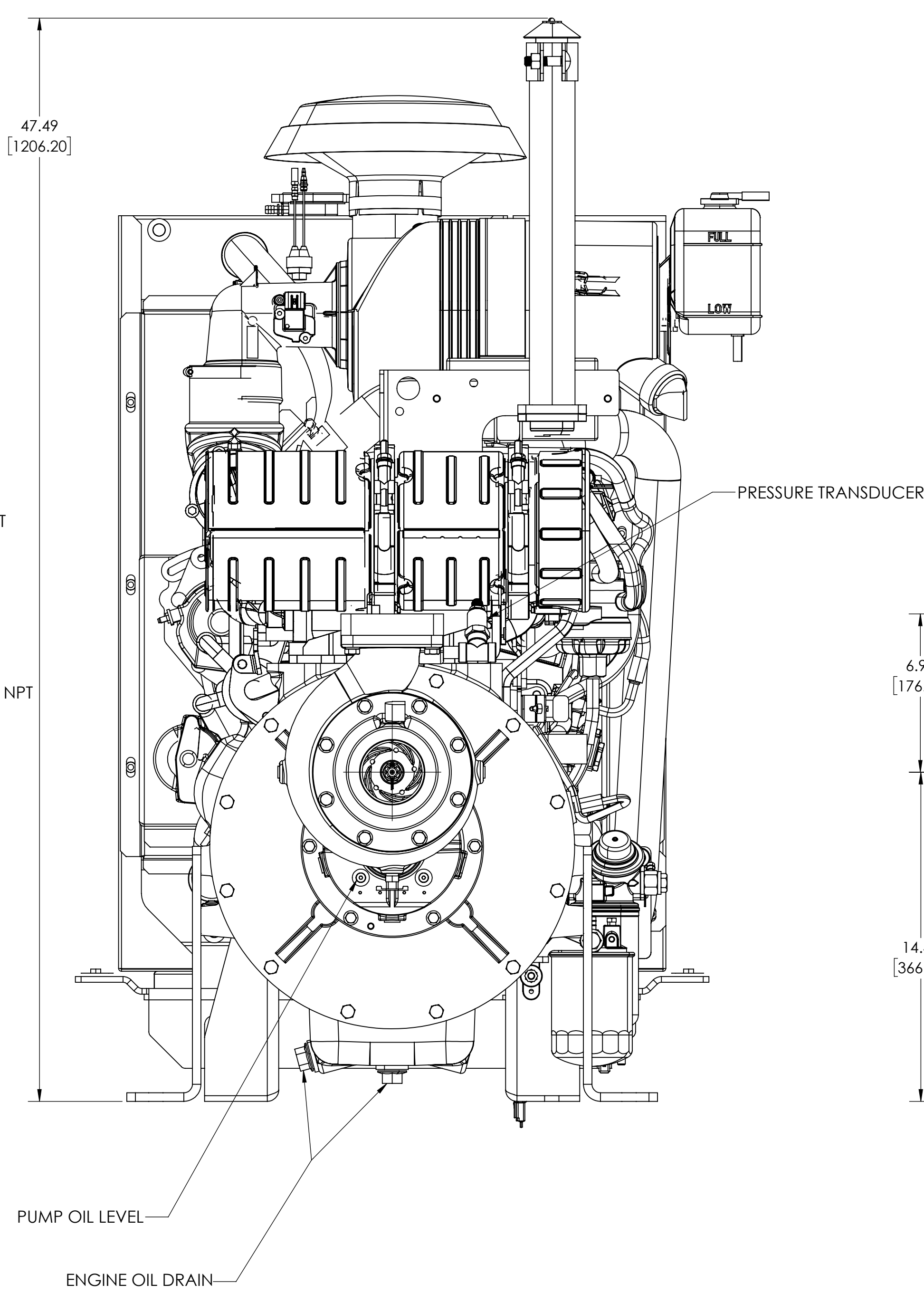
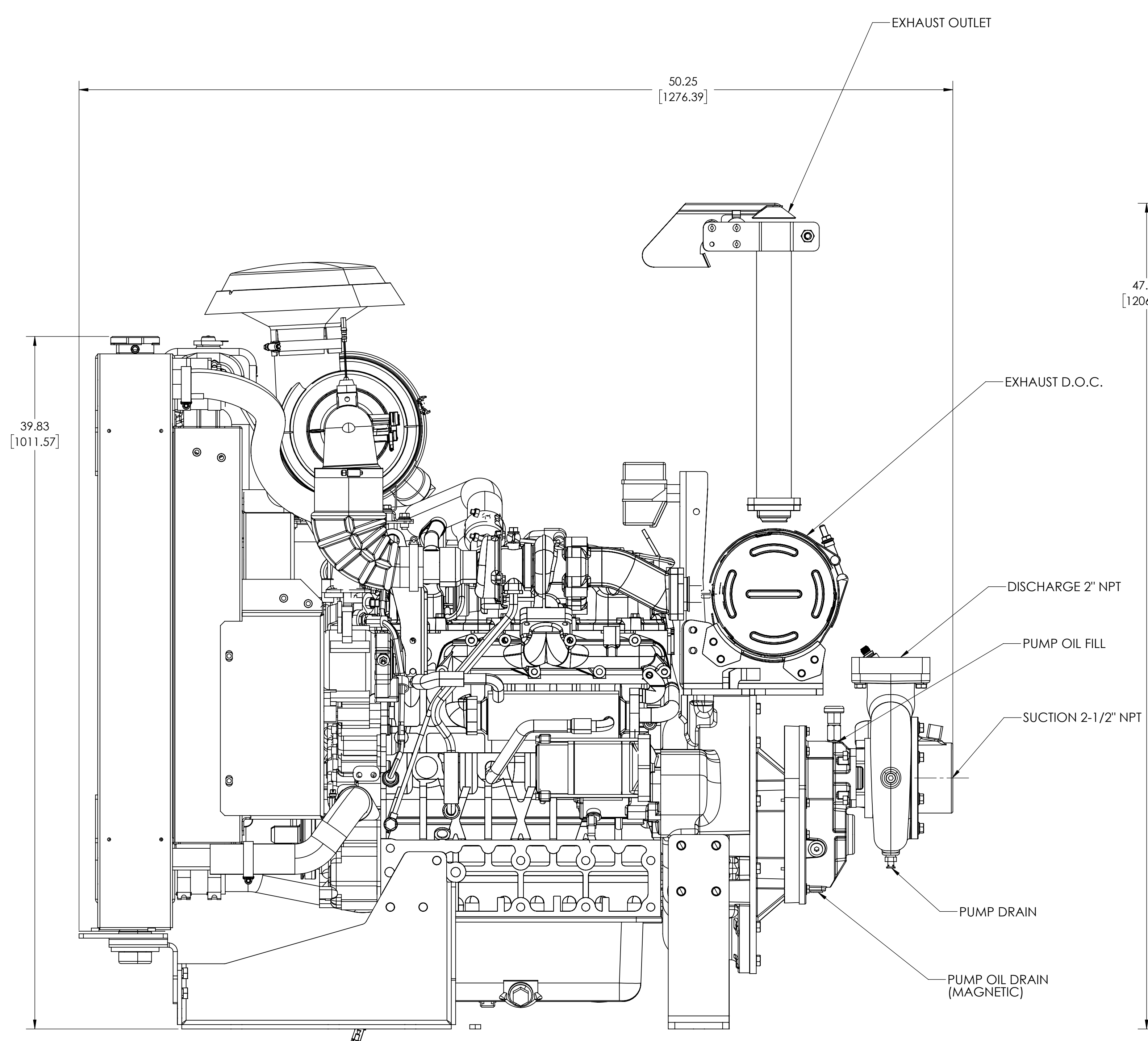


ITEM NO.	File Name	Darley Item Description (Line 1)	QTY.
1	4229903	ENGINE - KUBOTA, V2403T, OPEN	1
2	TE00458	TRANS - AGE, SAE 4 HOUSING	1
3	2700604	GEAR - DRIVE, AG, 16DP, 20°PA	1
4	2700704	GEAR - PINION, AG, 16DP, 20°PA	1
5	PA00633	PUMP - 2.5AG, MECH SEAL	1
6	YF02937	ASSY - FLANGE, 2.5" WELD	1
7	2600803	HEAD - SUCT, A	1
8	1080831	ELBOW - PIPE, ST, 0.25, 90 DEG	1

REVISIONS					
ZONE	REV.	DESCRIPTION	DATE	CHG NO.	APPROVED
	A	UPDATED ENGINE 3D MODEL	8/16/2019	12409	SMS



REMOVE SHARP EDGES		INCH (MILLIMETER)		BASE ANGLE PROJECTION		MODEL		SHEET	
MATERIAL DESCRIPTION		7.57-48-185		DAD3202		DAD3202		1/1 E	
MASS		7.57-48-185		TOLERANCE EXCEPT AS NOTED		DARLEY		ITASCA, IL	
DRAWN		GDF		PATTERN NO.		CHIPPENAW FALLS, WI			
DATE		06/07/2018		DWG - 2.5AGGEAR - TIER 4					
SCALE		1:4		SAE #4 ENGINE ADAPTER					
DO NOT SCALE PRINT				CRWD CWF					
				TRCD				DAD3202	