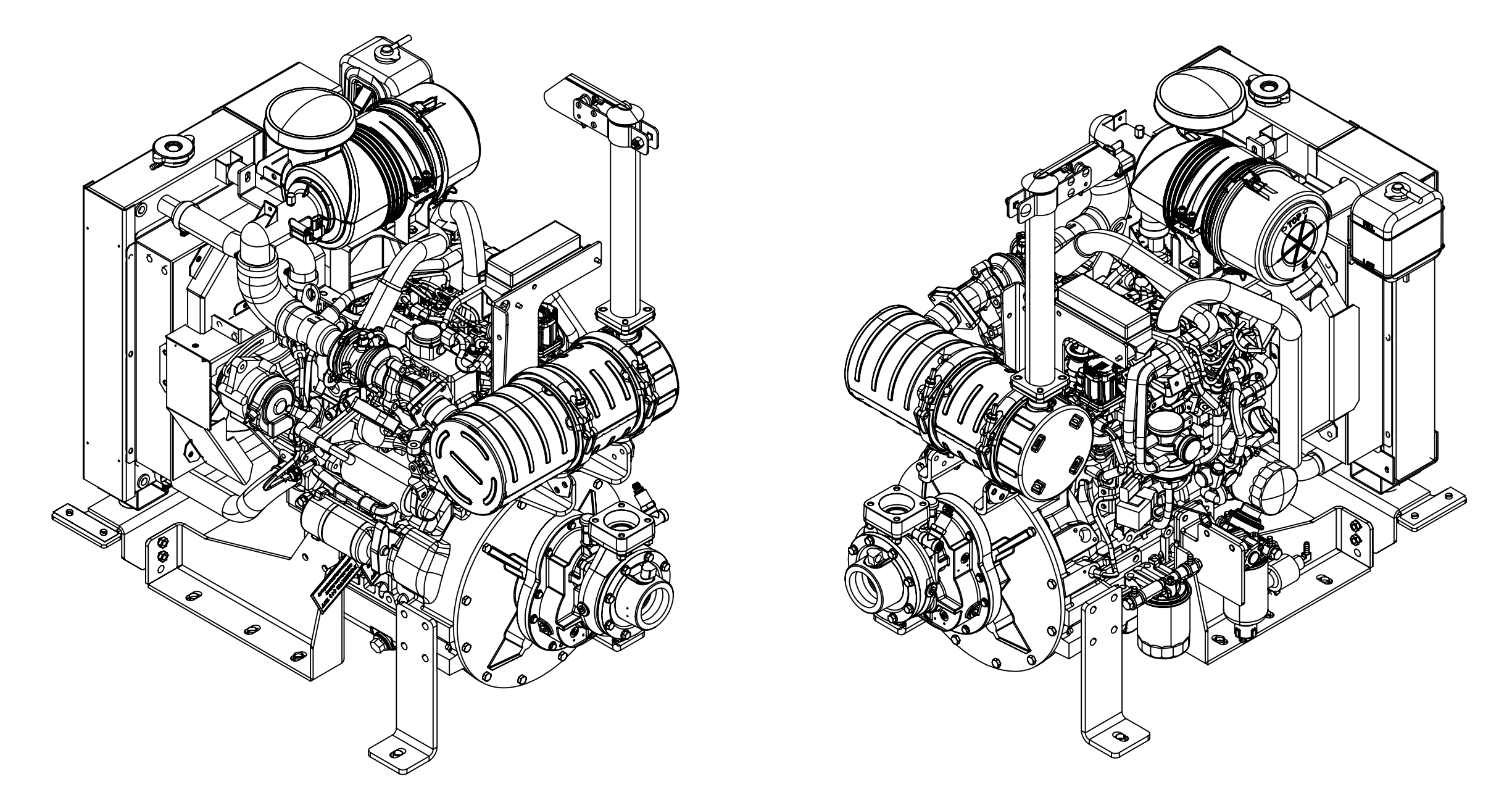
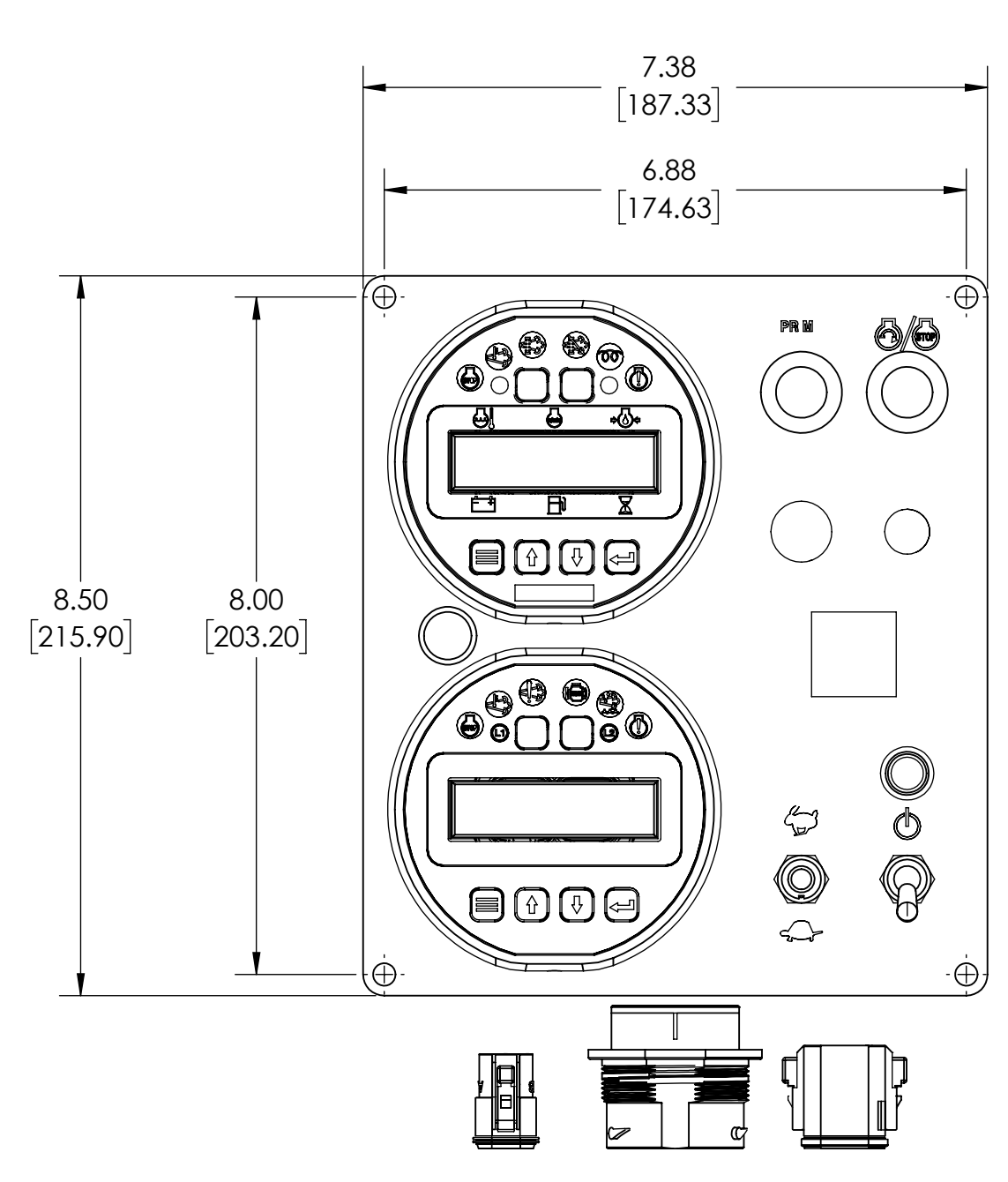
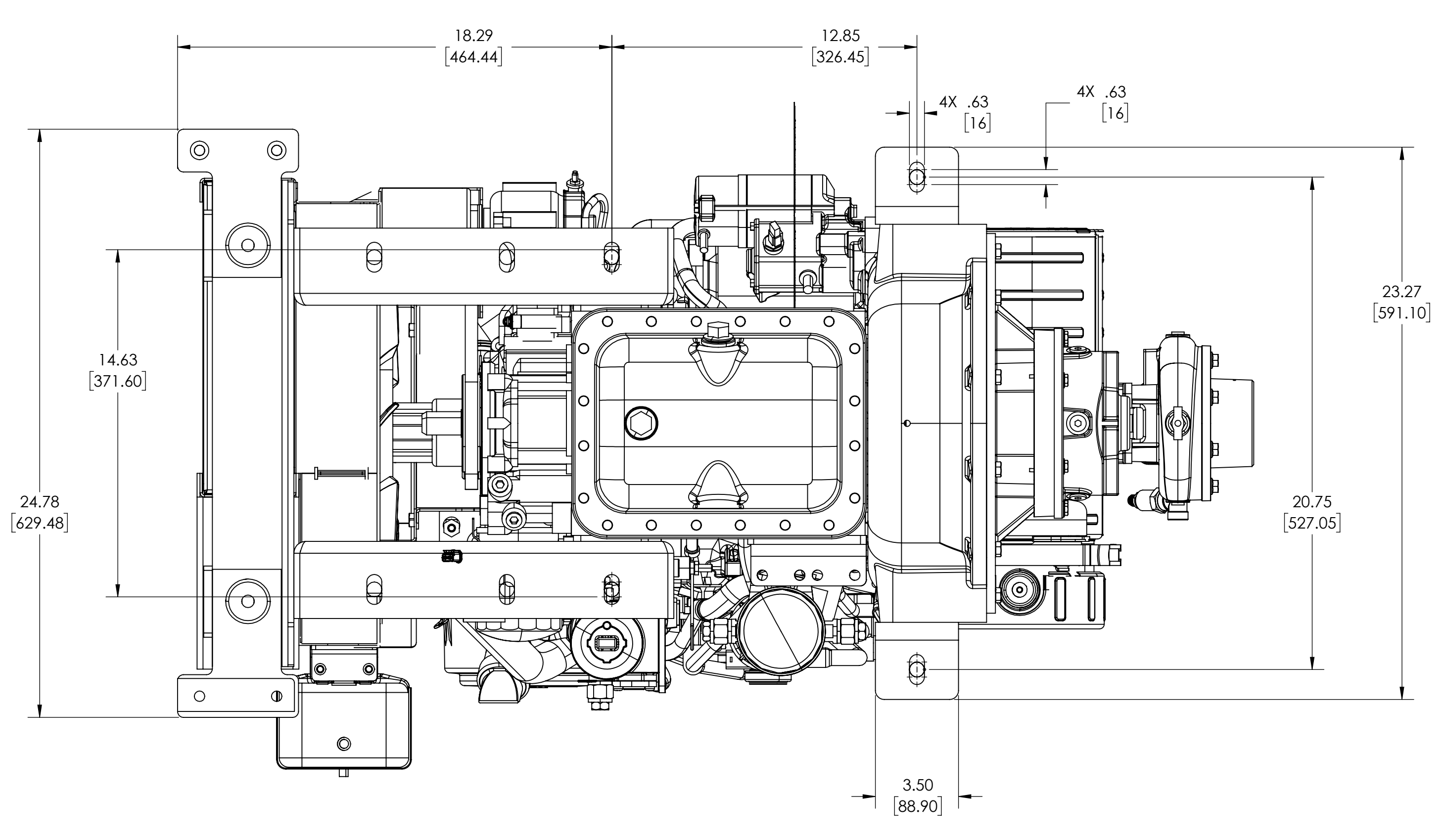
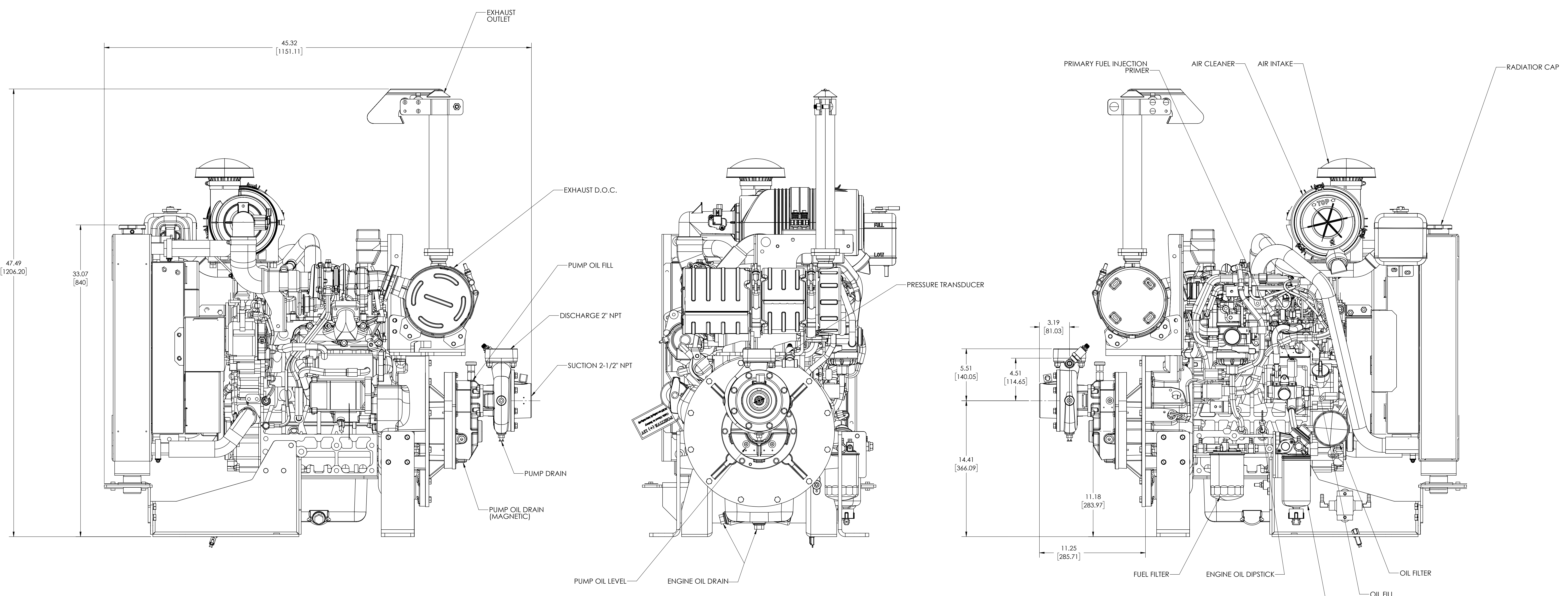


ITEM NO.	File Name	Darley Item Description (Line 1)	QTY.
1	TE00458	TRANS - AGE, SAE 4 HOUSING	1
2	PA00270	PUMP - 1.5AG HIGH PRESS MECH	1
3	2700601	GEAR - DRIVE, AG, 80T, 16DP	1
4	2700701	GEAR - PINION, AG, 20T, 16DP	1
5	2800333	HEAD - OUTBOARD, A, 2-1/2 NPT	1
7	YF00035	ASSY - FLANGE, 2.0 NPT 3/8-16N	1
8	4229902	ENGINE - KUBOTA, D1803T	1
9	4229900_PRESSURE TRANSDUCER	PRESSURE TRANSDUCER	1

REVISIONS					
ZONE	REV.	DESCRIPTION	DATE	CHG NO.	APPROVED
	A	UPDATED ENGINE 3D MODEL	8/14/2019	12409	SMS



REMOVE SHARP EDGES	INCH [MILLIMETER]	0.005 [0.127]
MATERIAL DESCRIPTION	729-32 IRS	
MASS	729-32 IRS	
DRWN	GDF	
CHKD	TRCD	
THIS DESIGN IS THE PROPERTY OF W. DARLEY CO. - UNAUTHORIZED REPRODUCTION IS PROHIBITED.		
DO NOT SCALE PRINT		
MODEL	DAD3200	SHEET 1/1
OLD PART NO.		
PATTERN NO.		
TOLERANCE EXCEPT AS NOTED	ANGLES ±1	
DATE	04/09/2018	
SCALE	1:4	
DAD3200		