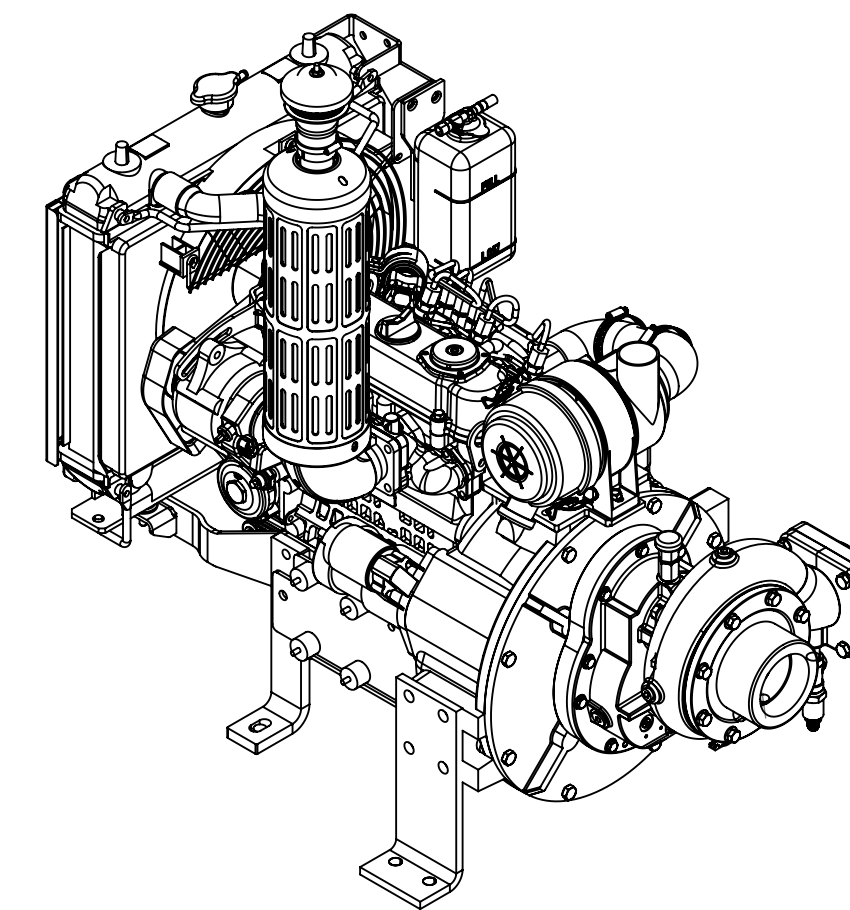
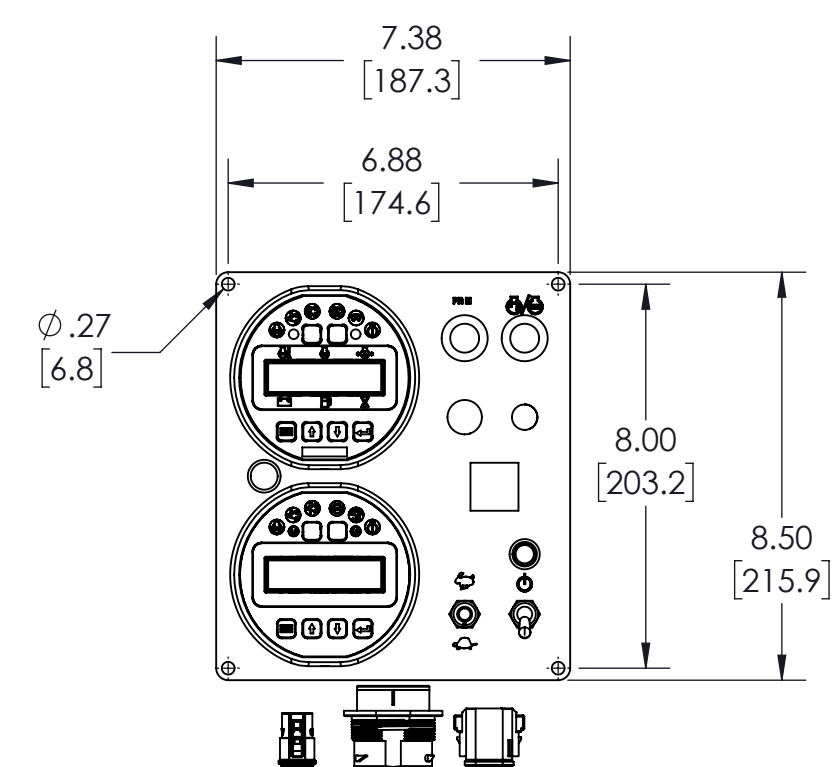
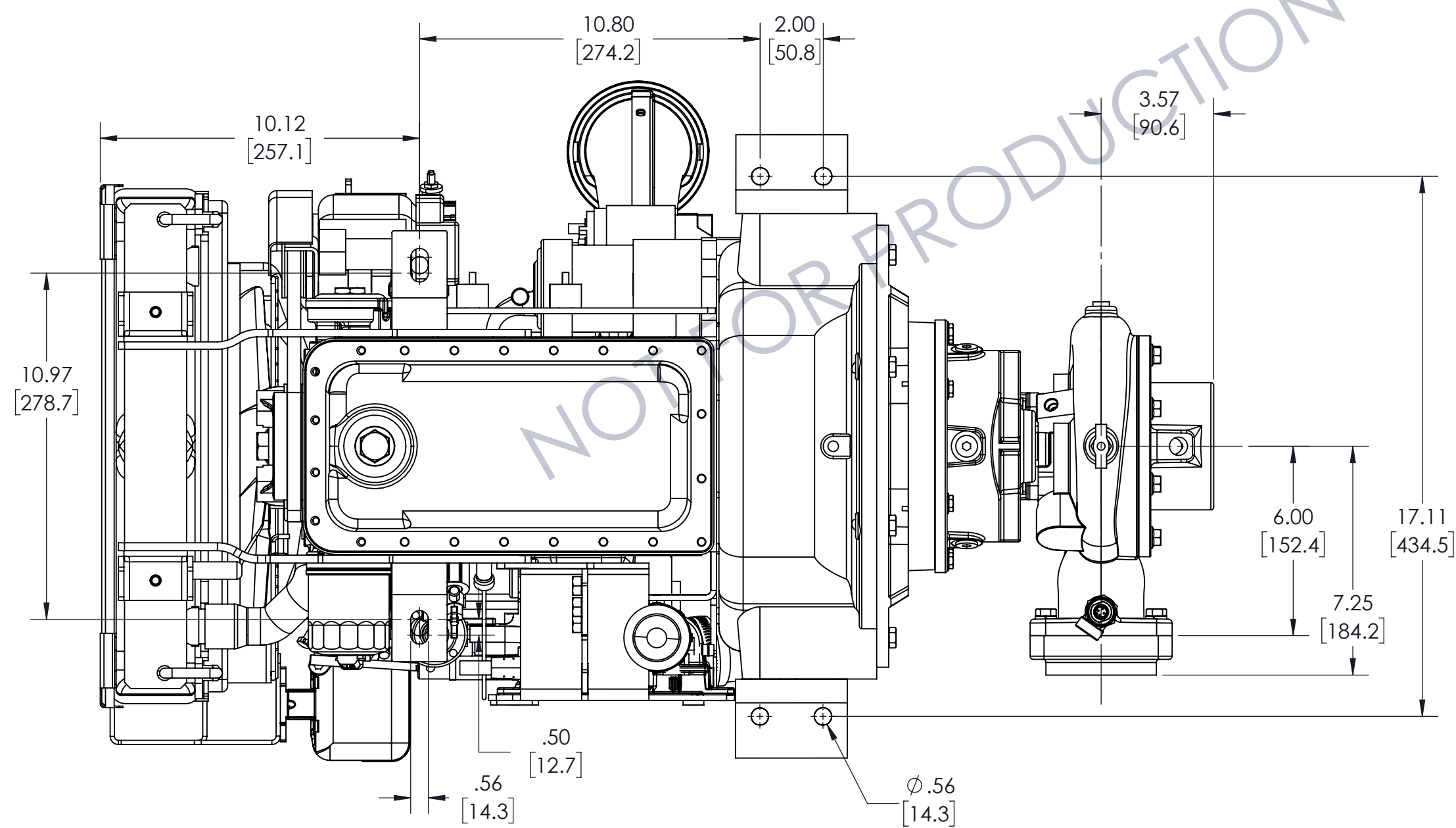
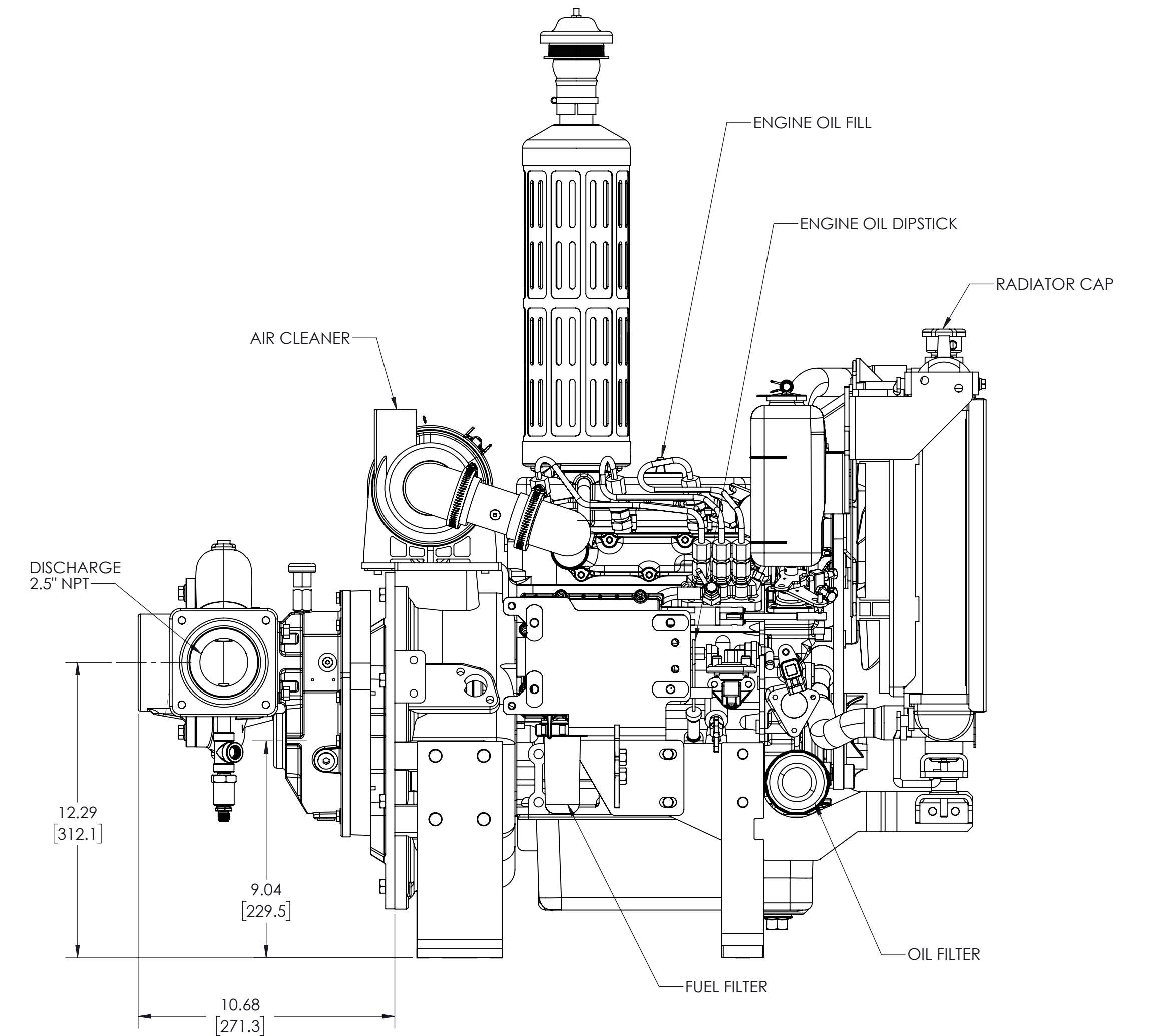
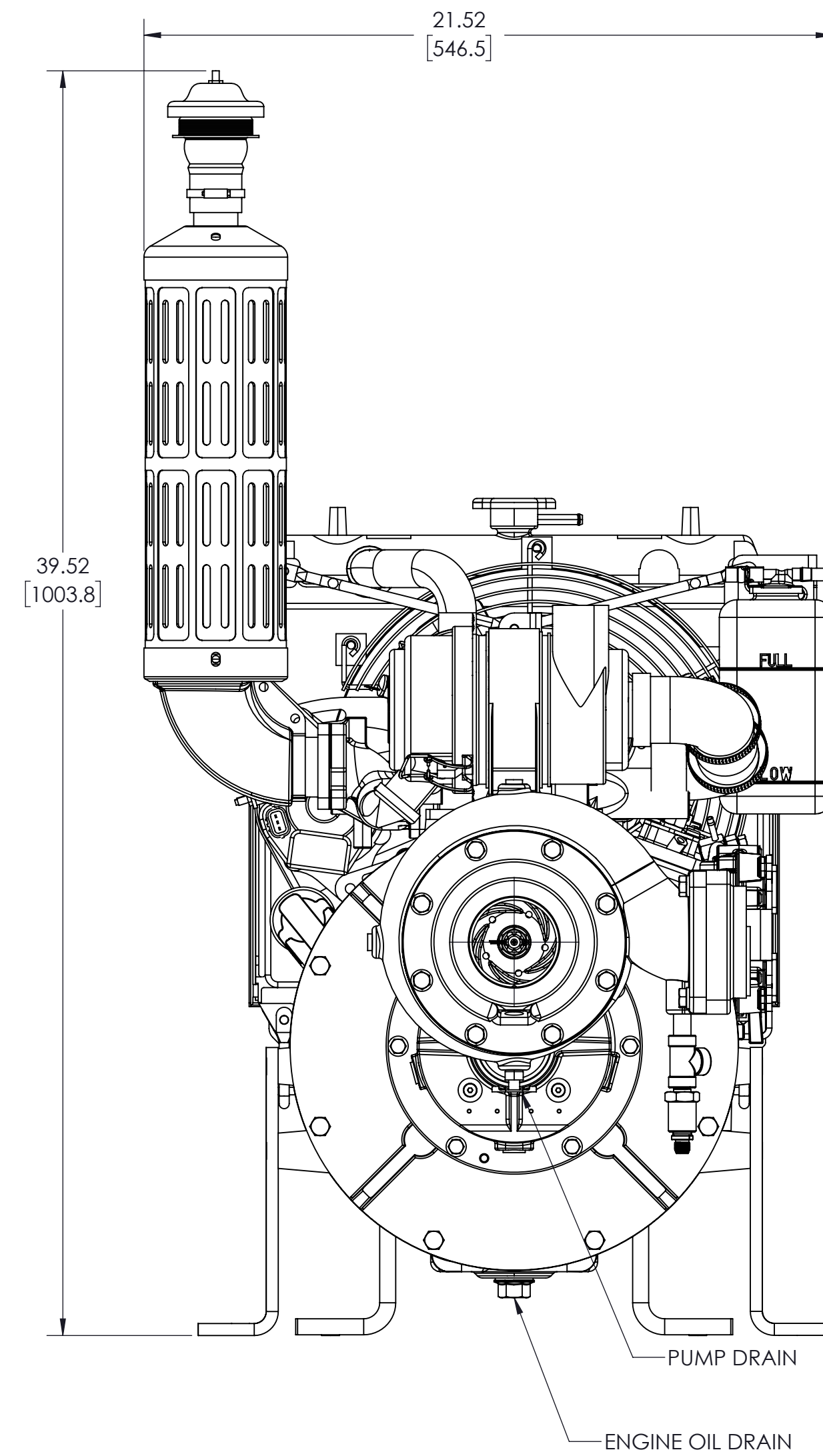
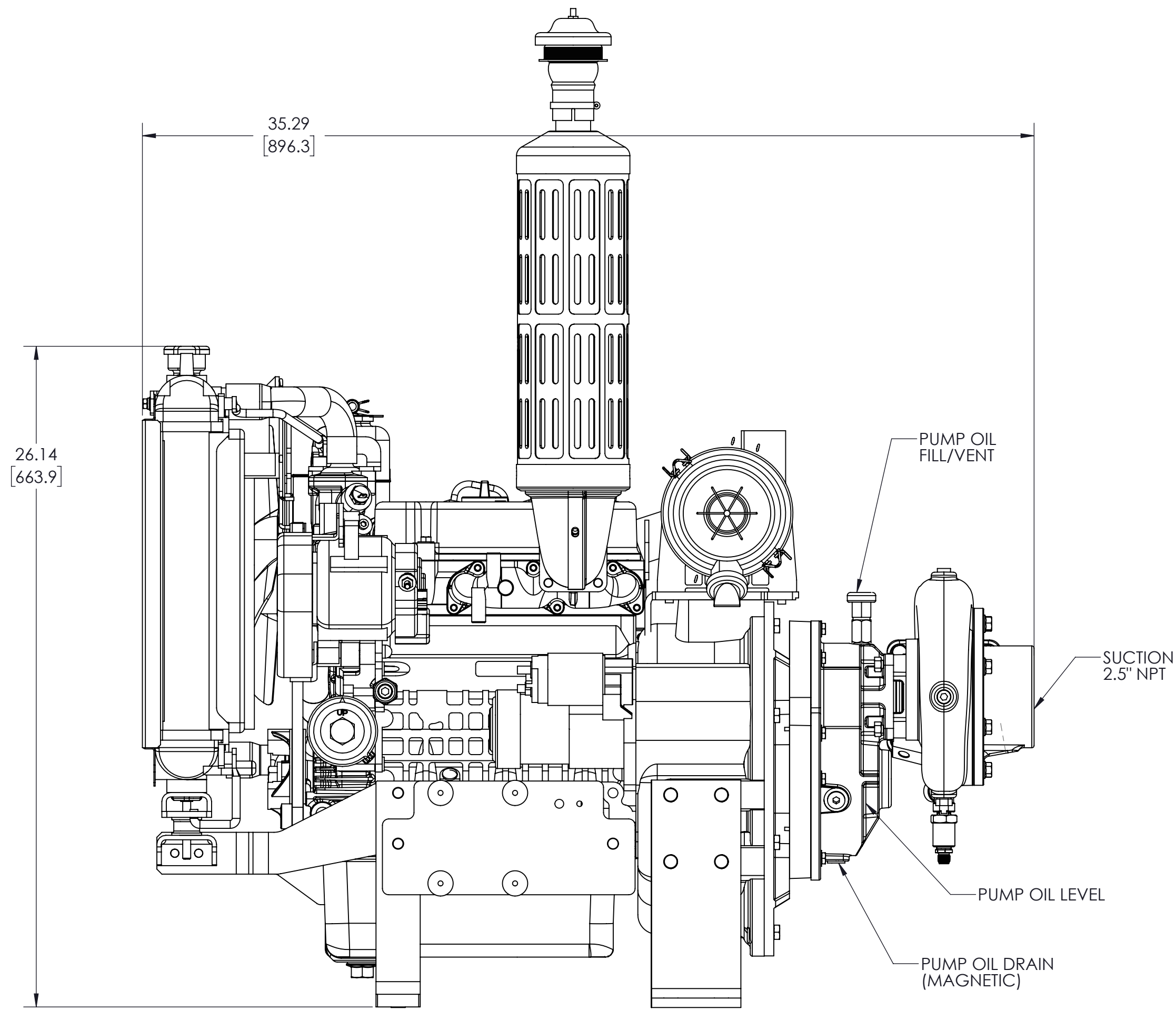


ASSEMBLIES SHOWN:  
 ENGINE - 4221952  
 TRANSMISSION - TE00435  
 PUMP - PA00633  
 GEAR RATIO - KR00114  
 DISCHARGE - YF02930  
 SUCTION HEAD - 2800803



REMOVE SHARP EDGES		THIRD ANGLE PROJECTION		MODEL	SHEET
MATERIAL DESCRIPTION		OLD PART NO.		DAD2321	1/1
INCH [MILLIMETER]	MASS	MATERIAL NO.	PATTERN NO.	TOLERANCE EXCEPT AS NOTED .000 ±.010 ANGLES ±1	DWG - 2.SAGE24K 3 O'CLOCK DISCH
348.64 LBS	DRWN SMS	CKHD SLS	DATE: 12/28/2020	SCALE: 1:4	DAD2321
THIS DESIGN IS THE PROPERTY OF WS. DARLEY CO. - UNAUTHORIZED REPRODUCTION IS PROHIBITED		ALL DIMENSIONS IN INCHES UNLESS NOTED		DARLEY CHIPPewa FALLS, WI	

NOT FOR PRODUCTION SMS