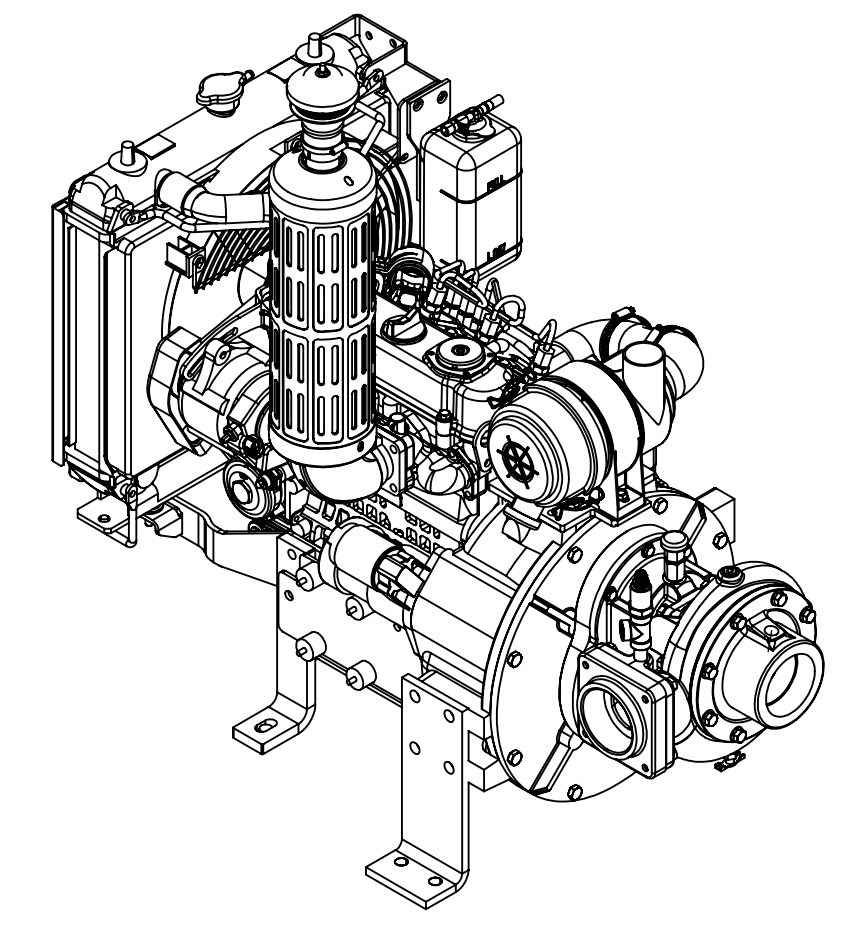
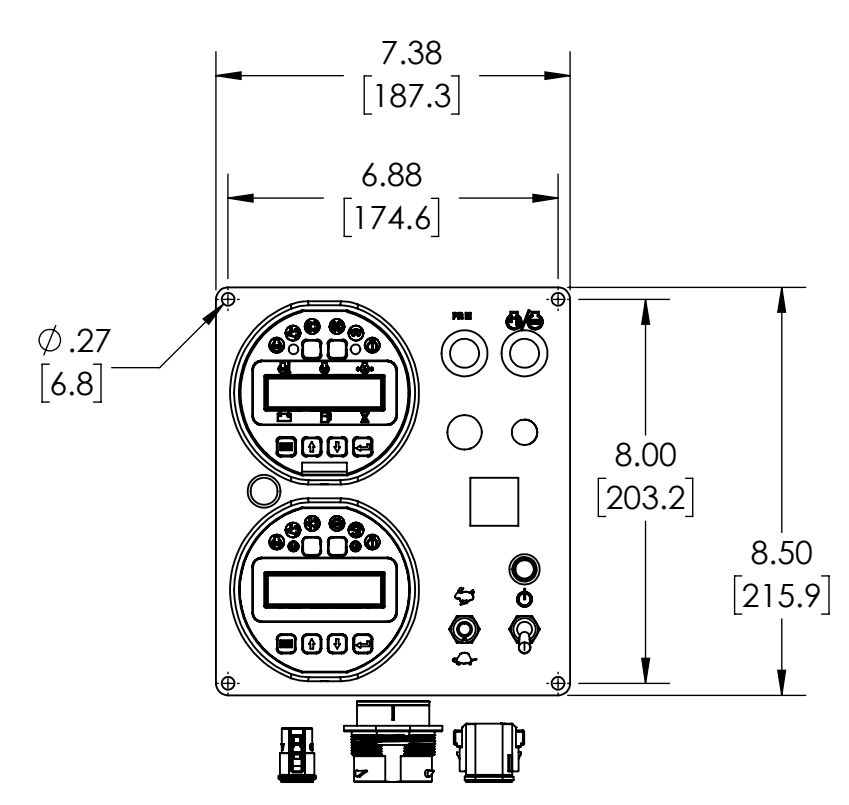
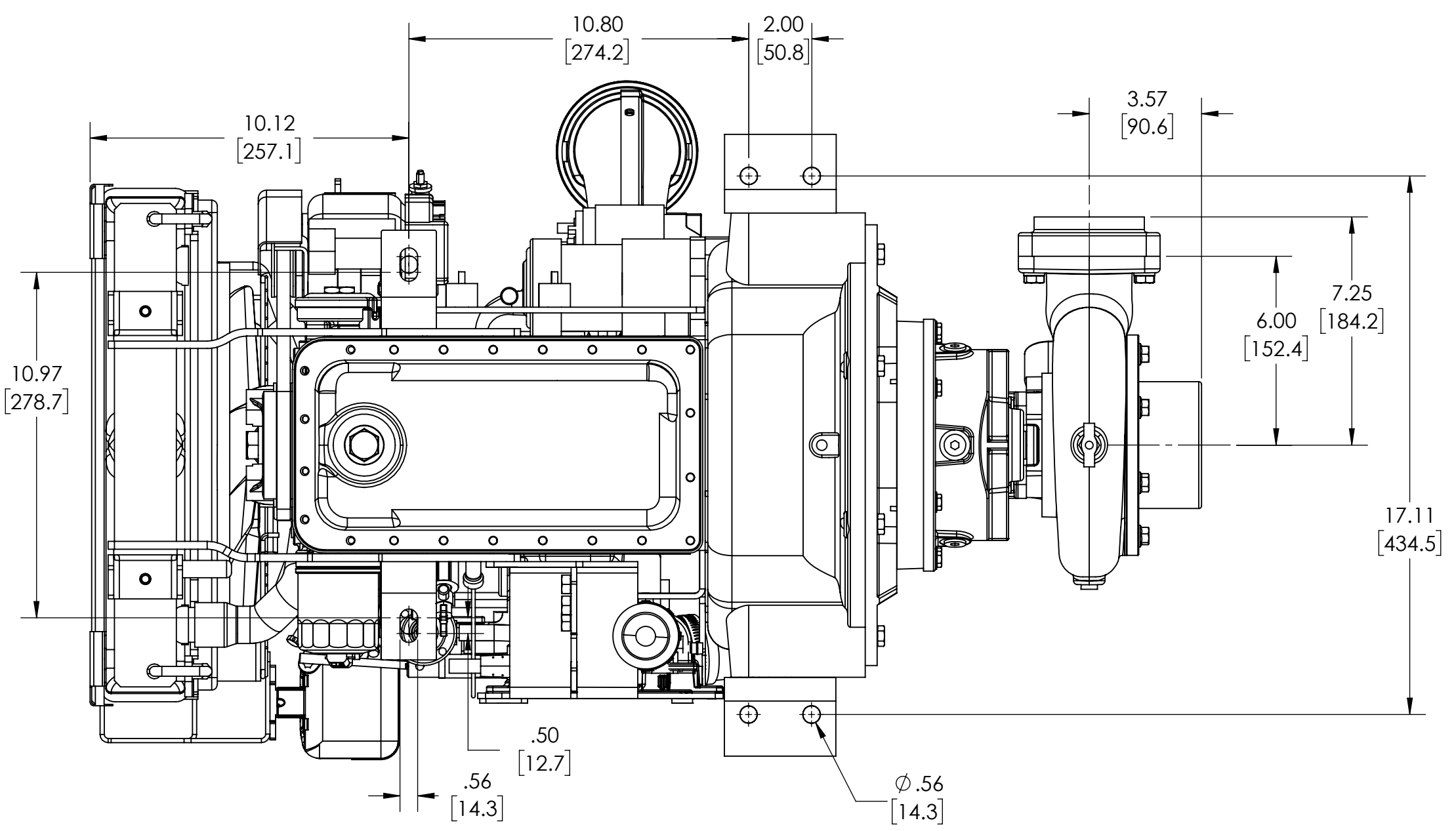
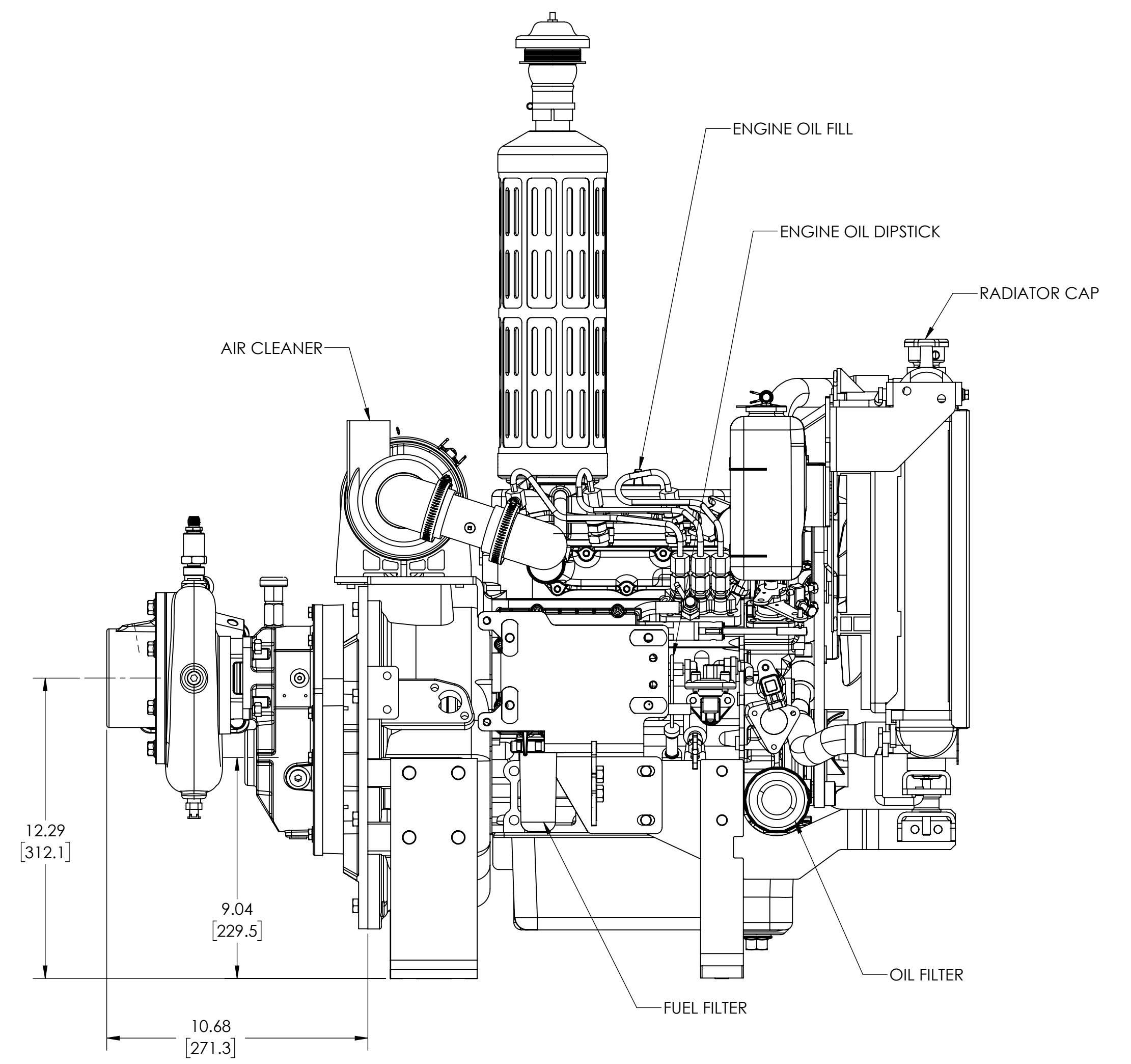
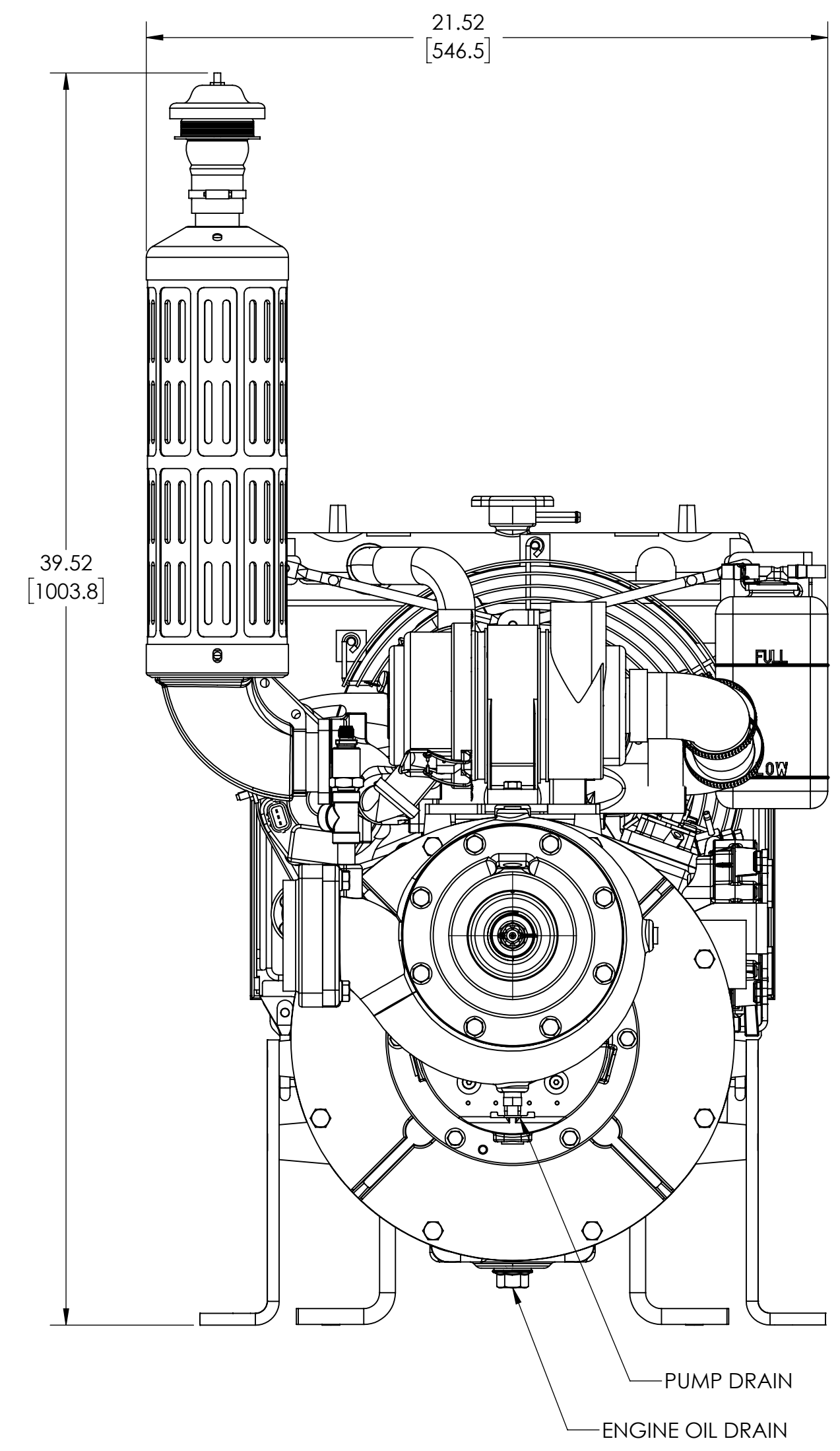
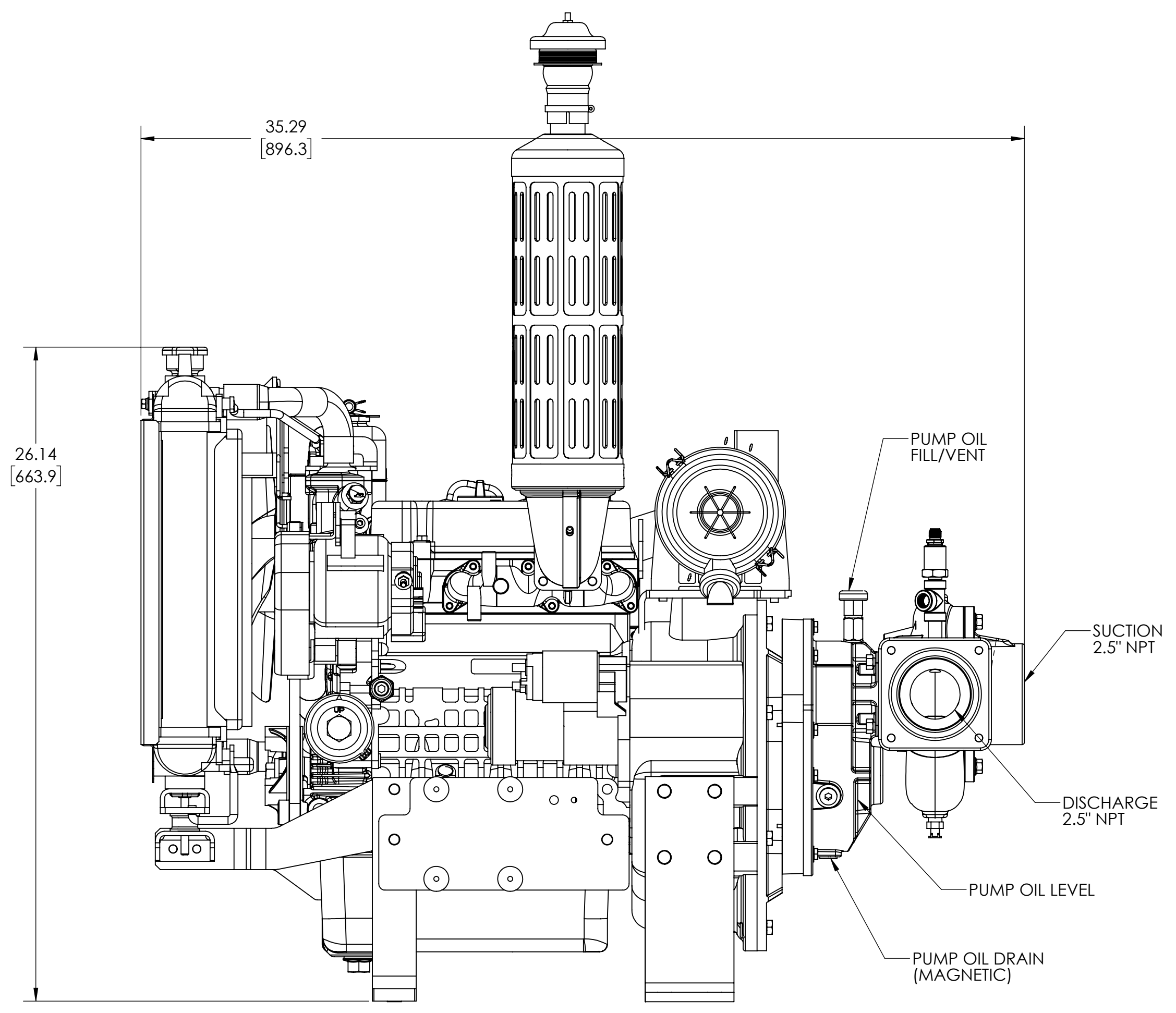


ASSEMBLIES SHOWN:
 ENGINE - 4221952
 TRANSMISSION - TE00435
 PUMP - PA00633
 GEAR RATIO - KR00114
 DISCHARGE - YF02930
 SUCTION HEAD - 2800803



REMOVE SHARP EDGES		THIRD ANGLE PROJECTION		MODEL	SHEET
MATERIAL DESCRIPTION		OLD PART NO.		DAD2317	1/1 D
INCH [MILLIMETER]	MASS	MATERIAL NO.	PATTERN NO.	TOLERANCE EXCEPT AS NOTED .000 ±.010 ANGLES ±1	Darley ITASCA, IL CHIPPEWA FALLS, WI
348.30 LBS	348.30 LBS			DRWN SMS CKHD CLH TRCD	
THIS DESIGN IS THE PROPERTY OF WS DARLEY CO. - UNAUTHORIZED REPRODUCTION IS PROHIBITED		DO NOT SCALE PRINT		DATE: 8/28/2019	DAD2317
ALL DIMENSIONS IN INCHES UNLESS NOTED		SCALE: 1:4			