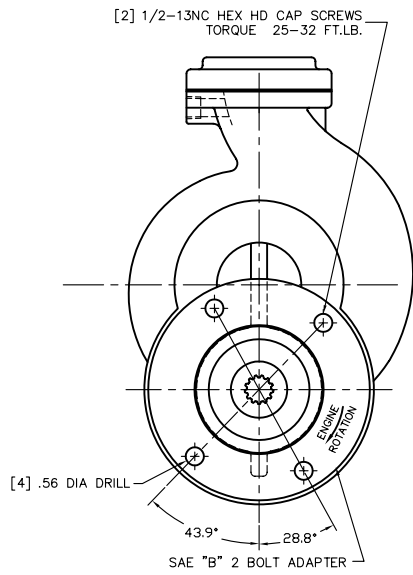
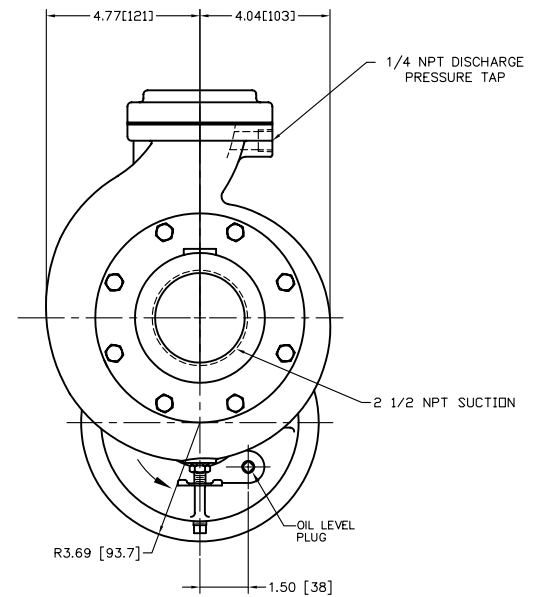
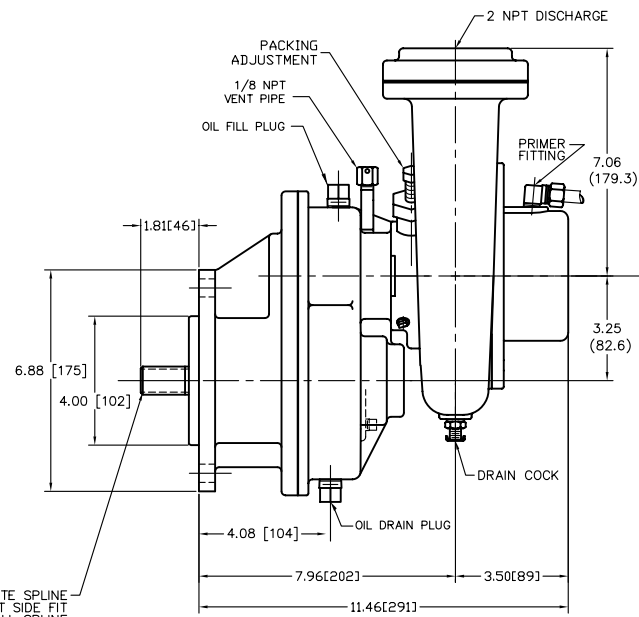


REVISIONS				
LTR	DESCRIPTION	DATE	CHG NO.	APPRD



13 T 16/32 INVOLUTE SPLINE  
30° FILLET ROOT SIDE FIT  
1.38 FULL SPLINE



MATERIAL DESCRIPTION: APPROX. WEIGHT 48 LBS. [22 KG.]		MATERIAL NO.	PATTERN NO.	DATE: SEP12,97
THIS DESIGN IS THE PROPERTY OF W.S. DARLEY AND CO. - UNAUTHORIZED REPRODUCTION IS PROHIBITED.		ALL DIMENSIONS IN INCHES UNLESS NOTED		SCALE 1/2
DO NOT SCALE PRINT		TOLERANCE EXCEPT AS NOTED .005 & .010 ANGLES 8°		DATE: SEP12,97
DRN: DMS: CHD: TRD:		OLD PART NO.:		DATE: SEP12,97

INCH [MILLIMETER]

**W.S. DARLEY & CO.**  
MILWAUKEE, WIS. U.S.A. - COPPER HILLS, W.V.

2.5ACD, ENGINE ROTATION INPUT SHAFT LOW

**DADI100**