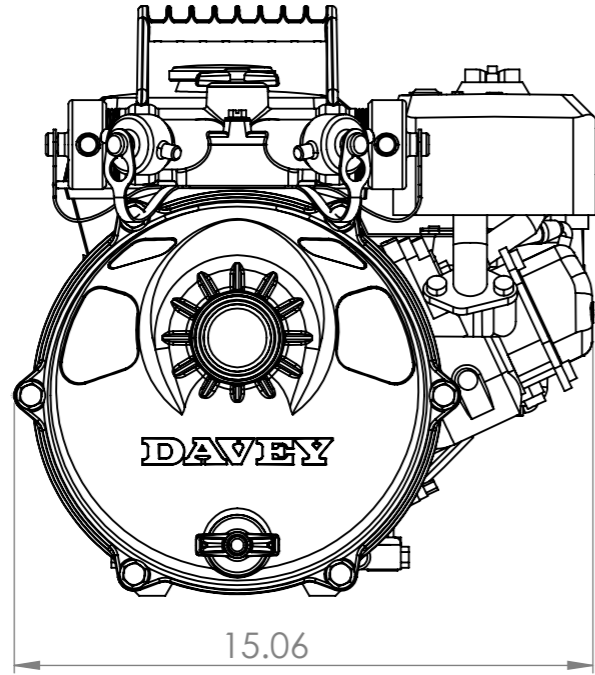


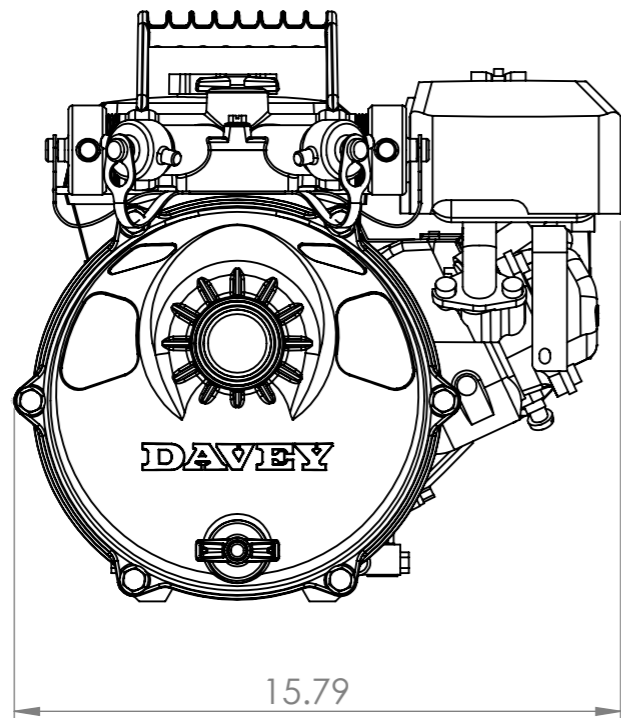
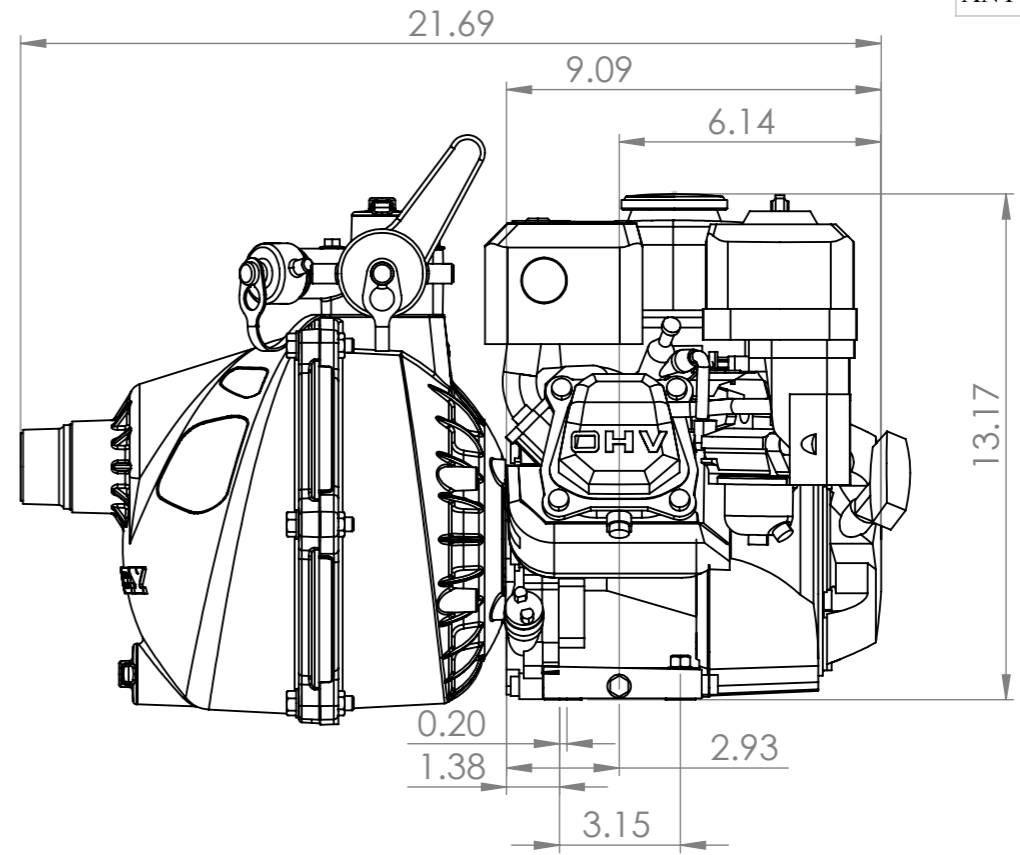
3V

ISSUE:

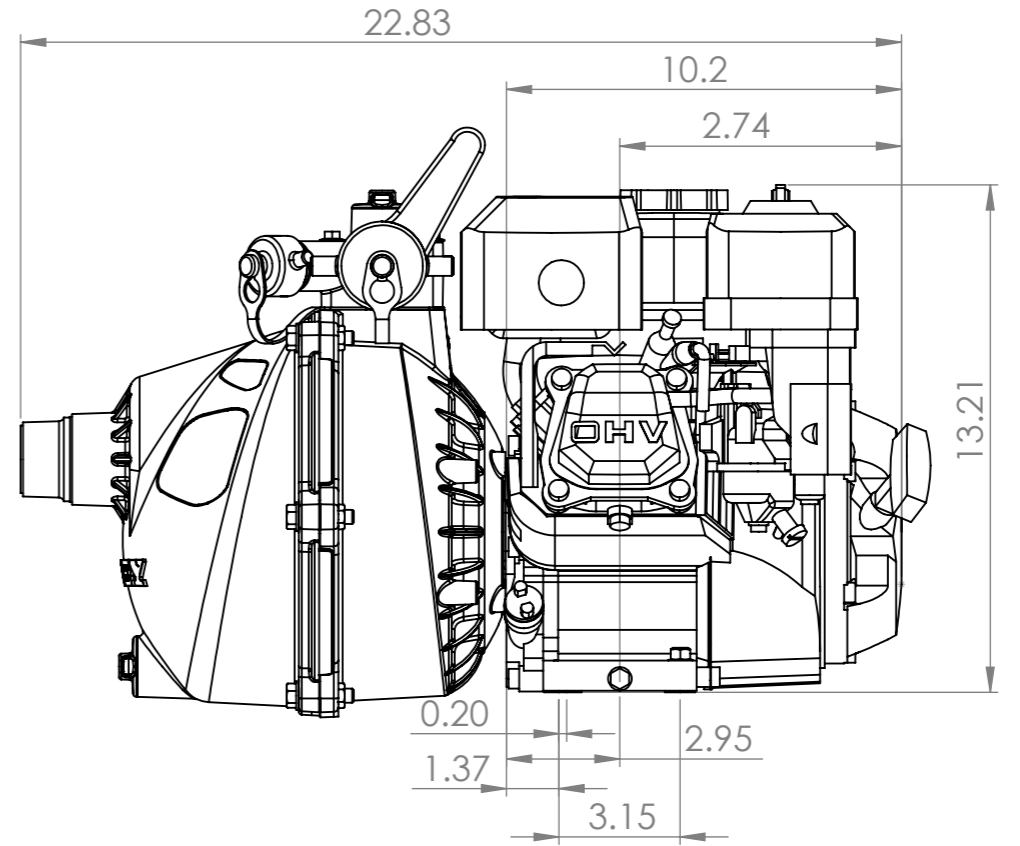
DO NOT SCALE
ANY QUESTIONS PLEASE ASK



5255H



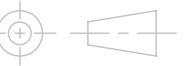
5265H



DATE: 12/04/2017

DAVEY WATER PRODUCTS PTY.LTD.
A.B.N. 18 066 327 517 A.C.N. 066 327 517

THIRD ANGLE
PROJECTION



DRAWN: BP

TITLE: Davey 2 Stage FireFighter

CHECKED:

SCALE:

© Copyright Davey Water Products Pty Ltd 2001