



325 Spring Lake Drive
Itasca, IL 60143-2072

Darley

BADGE ORDER FORM

No Phone Orders Accepted • Please Mail or Fax Your Badge Order Form

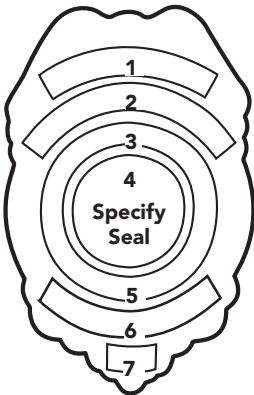
STEP 1:

Name (please print) _____
 Municipality / Agency / Company _____
 Mailing Address _____
 City _____ State _____ Zip _____
 Phone _____ Fax _____
 Signature _____ Title _____

STEP 2:

- INDIVIDUAL** (Full payment enclosed)
 BILL US (Cities, Towns, Gov. Agencies, etc. by officials authorized to purchase badges)
 OTHER (Orders from companies will be entered only after credit is established)
- We cannot ship to a P.O. Box
 - Allow 30-60 days for shipment
 - 3% discount for payment with order
 - No credit card orders accepted for badges

STEP 3:



Badge Style # _____ Quantity _____

LETTERING: (PLEASE PRINT) FILL IN ONLY THOSE PANELS PERTAINING TO BADGE SELECTED

- _____
- _____
- _____
- Seal or Center _____
- _____
- _____
- _____

LETTERING COLOR: Black Blue Red





STEP 4:

CHOOSE BADGE FINISH

- Nickel Plate
 Rhodium Plate
 Gold Electroplate
 Hi-Glo
 Two-Tone Hi-Glo Panels on Rhodium Badge
 Two-Tone Rhodium Panels on Hi-Glo Badge
 Karatclad

STEP 5:

CHOOSE YOUR ATTACHMENT...No extra cost

- Screw Back...for cap badge

 Safety Catch...for shirt & coat badges

 Clutch Back...for collar insignias & name bars

 Wallet Clip...


STEP 6:

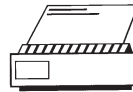
CHECK YOUR EXTRAS, IF ANY

- One color hard enamel **\$3.00** (Included with Hi-Glo, Two-Tone & Karatclad) State Seal-lettered border only / Fire center...background only
 Black Blue Red White
 Seals or Centers with two or more colors **\$5.00** (Included with Hi-Glo, Two-Tone & Karatclad)
 Lettered disc for center **\$4.60**
 Hard enamel badge lettering **\$5.00** (Included with High-Glo, Two-Tone & Karatclad)
 Extra panels, specify lettering **\$5.00** (If badge space allows)
 Synthetic diamond, ruby or emerald stone set in the eagle's eye **\$7.60**
 Engraving on back **.60 per letter**
 Money clip attachment **\$3.40**
 Extra Tabs, specify number or letters **\$3.40**

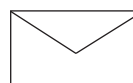
Placing Your Badge Order

PLEASE...follow all information when ordering. This will help us to enter your order without writing for more information. If more order forms are needed let us know. Prices include state seals, regular enamel lettering and the attachment you select. Please be sure to print clearly. All badges are made to order and not refundable unless we have made an error. Also, orders are not subject to cancellation once the order is received by the factory.

All Badge Orders Are Shipped Via UPS - charges apply



Orders By Toll-Free Fax:
1-800-932-9514



Orders By Mail:
**Darley 325 Spring Lake Drive
Itasca, IL 60143-2072**

Badge Quantity Price Discounts

These quantity discounts apply to badges
 13-245%
 all lettered alike. Discount does not apply to
 badges with different wording, except
 25-4910%
 50-9915%
 for numbers or titles. 100+20%