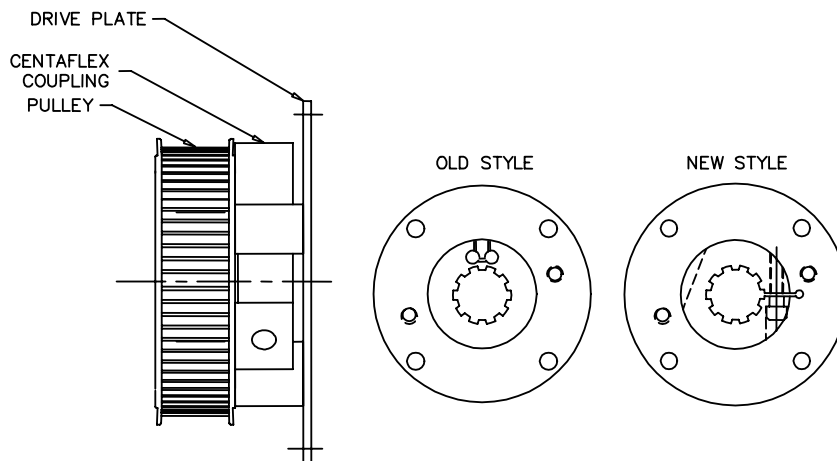


SERVICE BULLETIN
1202507

TITLE: INSPECTION/REPLACEMENT OF SPLINE LOCK COUPLINGS
DATE: OCTOBER 23, 1998

It has recently come to our attention that spline lock couplings on our Odin CAFS ready pumping units (1-½ and 2-½ AGE, with belt removal drive system) may move axially. In some cases, this axial movement caused the belt to become out of alignment and was sufficient to dislodge the drive key. This could result in pump failure, costly repairs and downtime.

All departments that have purchased Odin CAFS ready 1 ½ and 2 ½ AGE pumps between Mar. 1997 and Nov. 1998 should inspect the drive pulley for movement. The pulley should be in contact with the Centaflex rubber coupling. If the pulley has moved away from the Centaflex coupling more than a ¼ inch, we recommend replacement of the spline lock coupling before operating the unit further.



Couplings that do not show movement on the spline should be monitored regularly but do not require immediate replacement. If you choose to replace this coupling, one will be provided to you at no charge. All future orders for the Odin CAFS ready 1-1/2 and 2-1/2 AGE pumps will incorporate the new style spline lock coupling.

Please direct any questions regarding this bulletin to our engineering office at 800-634-7812 or 715-726-2650.

Michael C. Ruthy
Chief Engineer