



**Pump Division
1051 Palmer St.
Chippewa Falls, WI 54729
715-726-2650**

Technical Bulletin on JMP Series Pumps

1202517

February 18, 2014

Our JMP series pump has been a popular model for many decades, especially with the US Forest Service and Bureau of Land Management. It is a two stage pump with provisions for a staging valve that permits performance in both series (pressure) and parallel (volume) modes.

Recently, we redesigned the geometry of this actuator to require less angular travel between modes. Our new actuator requires significantly less angular travel, and is much more resistant against coming out of adjustment and encountering an over-center condition that could make shifting difficult. This design was tested over 20,000 cycles without incident, so we are confident it will improve operations in the field. Drawings DJM0104 and DJM0105 show how this new geometry operates. Please note that this extends the location of the shifting mechanism a small amount, which may affect some installations.

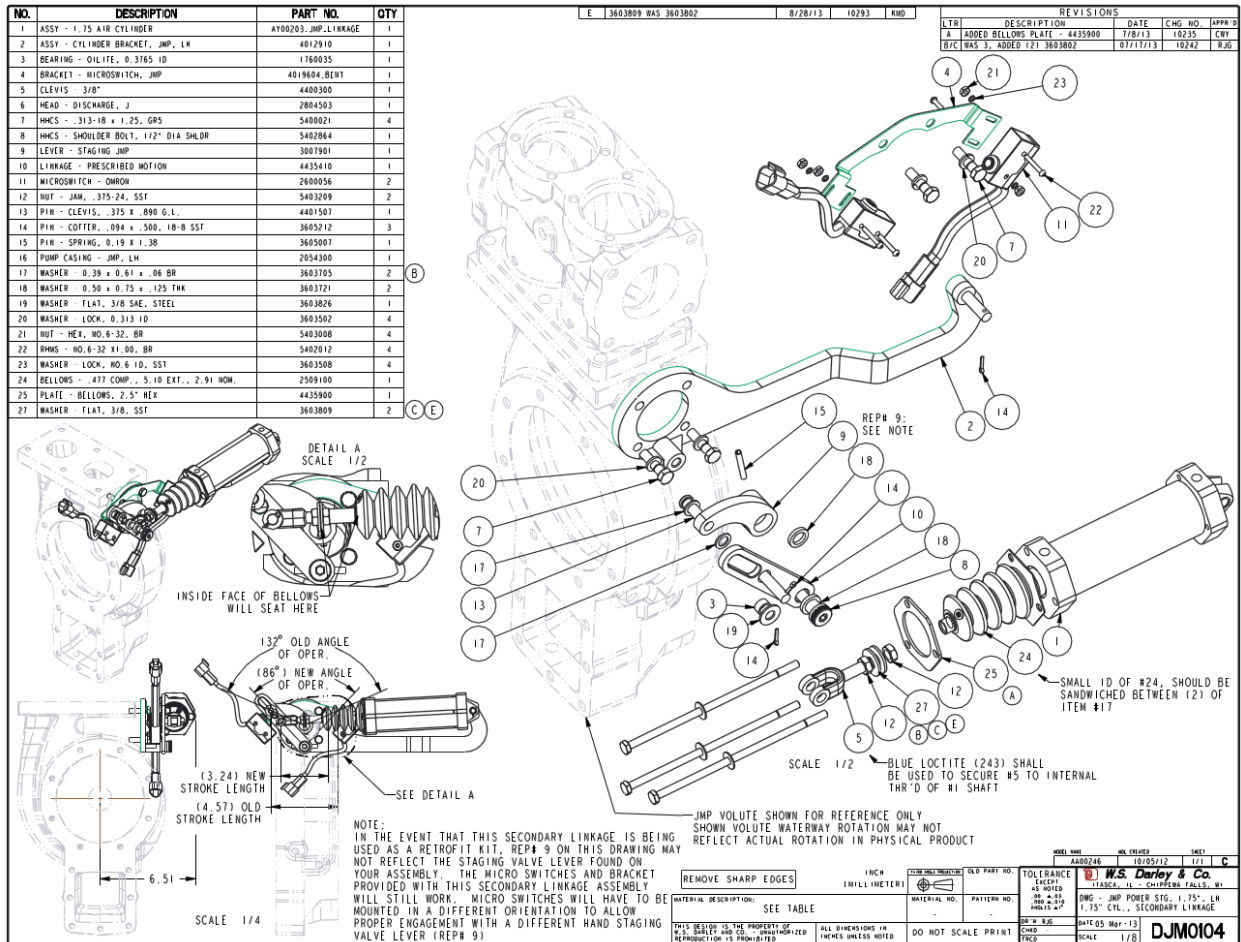
Should departments encounter shifting difficulties, due to sand, silt, or other debris in the water, an upgrade kit to the new design is available. Since the new design extends slightly larger in size, the modifications to upgrade should be evaluated prior to procuring parts.

Retrofit kit assemblies are AA00248 and AA00249, depending on the orientation of your actuator.

For any questions about this change, please contact our Customer Service Department for all further details at 800-634-7812 or 715-726-2650.



Pump Division
 1051 Palmer St.
 Chippewa Falls, WI 54729
 715-726-2650





Pump Division
1051 Palmer St.
Chippewa Falls, WI 54729
715-726-2650

