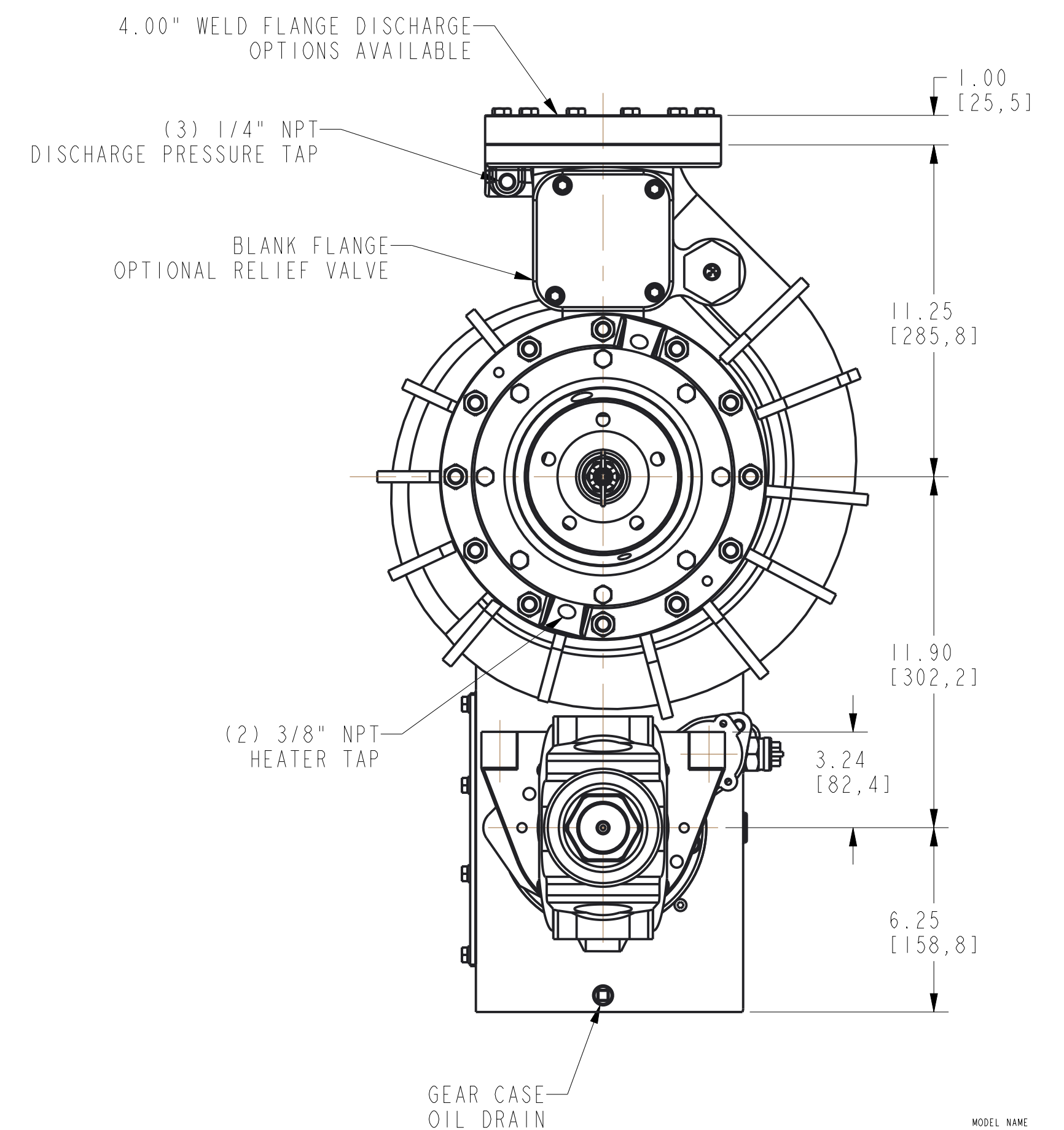
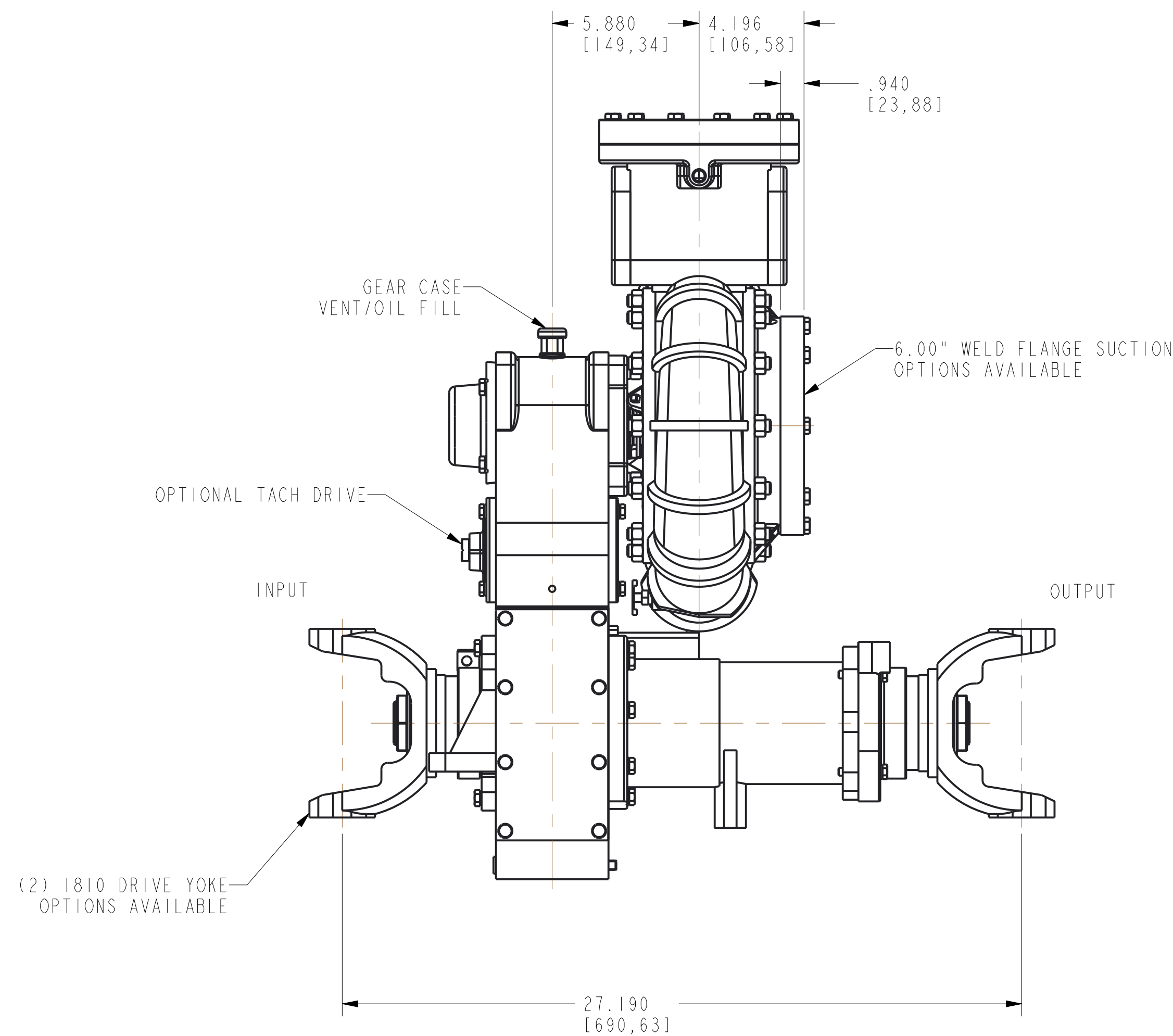
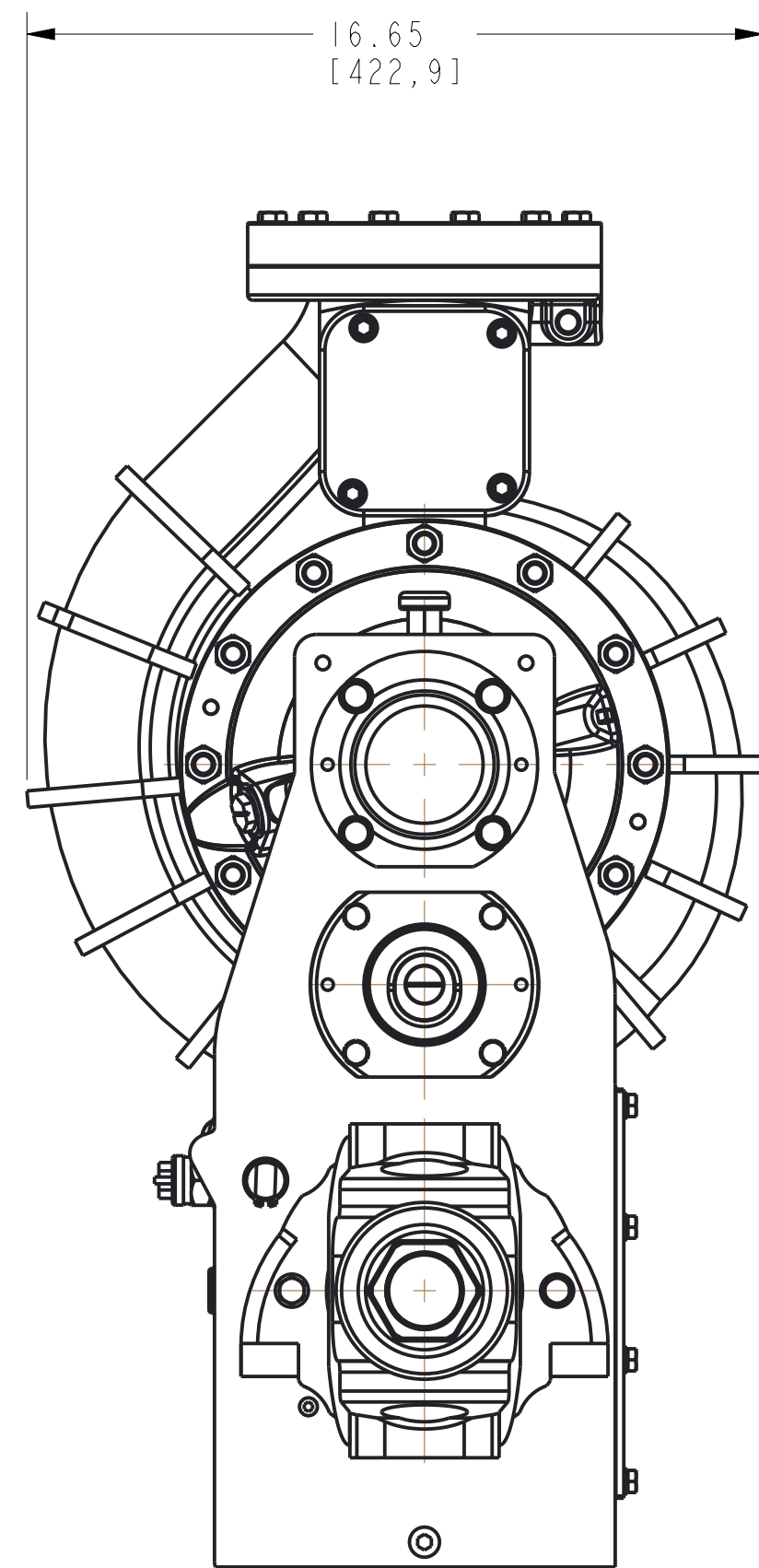
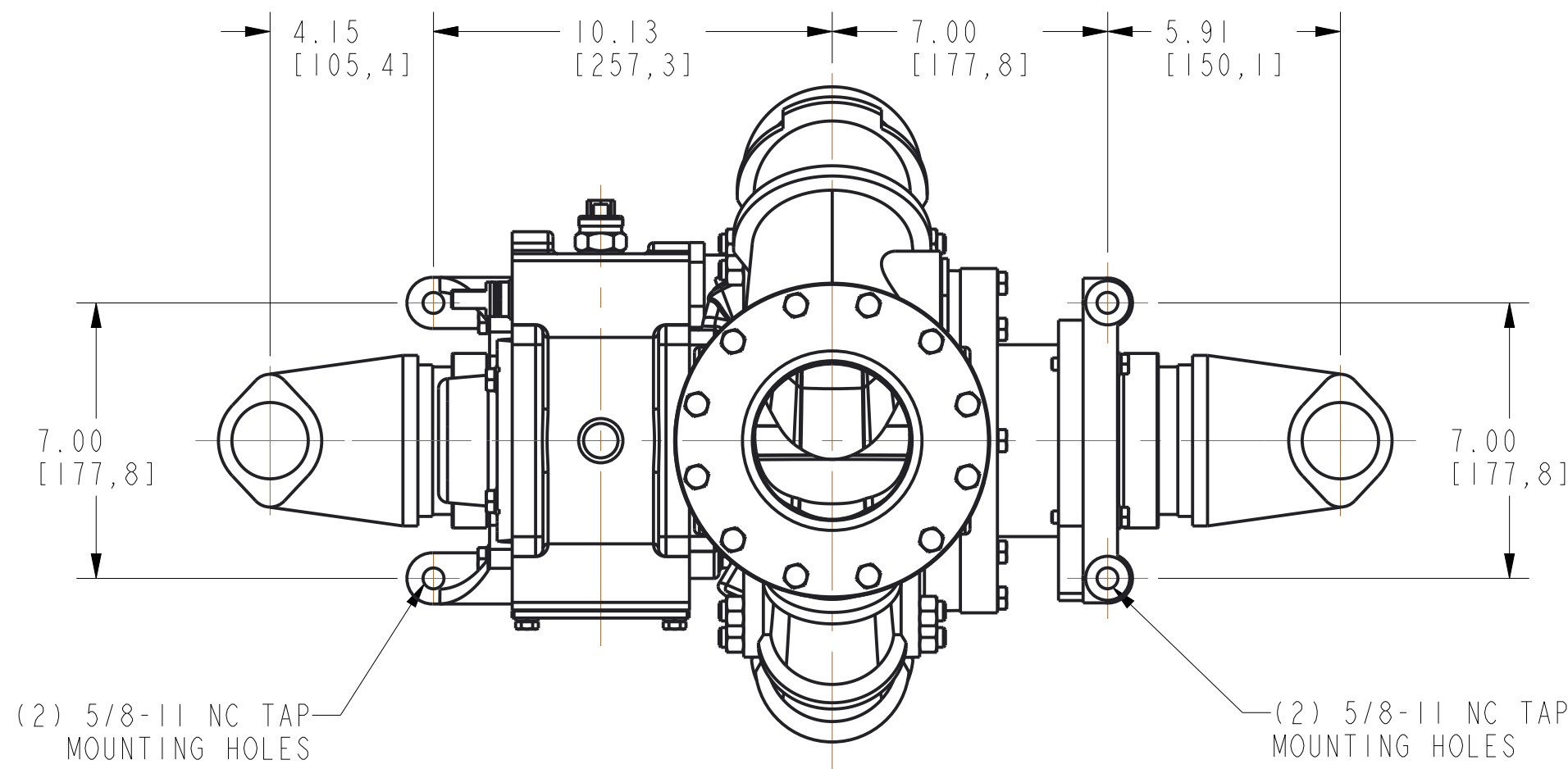
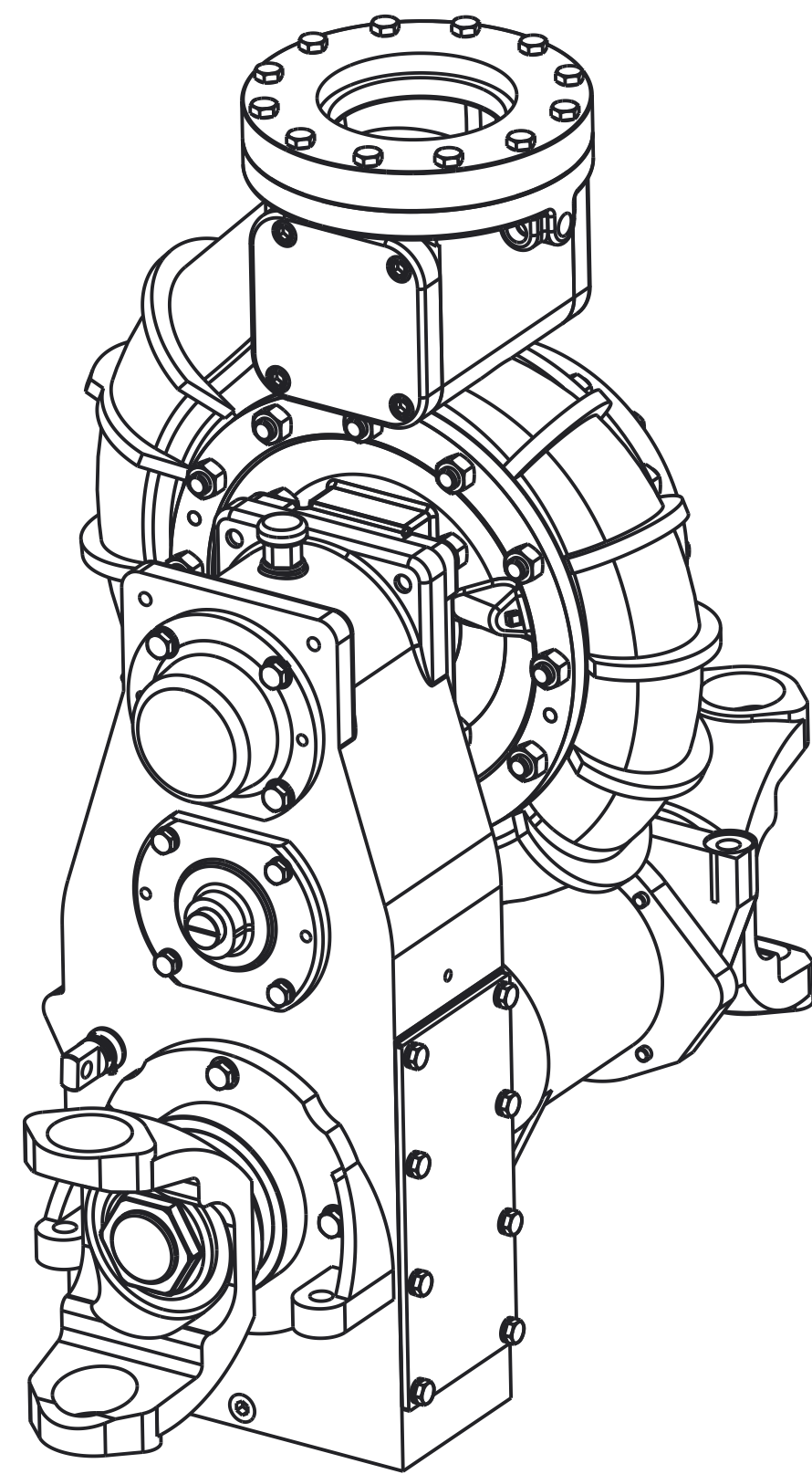


REVISIONS				
LTR	DESCRIPTION	DATE	CHG NO.	APPR'D



REMOVE SHARP EDGES	INCH (MILLIMETER)	OLD PART NO.	TOLERANCE EXCEPT AS NOTED	 W.S. Darley & Co. ITASCA, IL - CHIPPEWA FALLS, WI
MATERIAL DESCRIPTION:		MATERIAL NO.	.00 ± .03 .000 ± .010 ANGLES ±1°	DWG - LSM, PUMP REAR DIMENSIONAL, ASSEMBLY #1
THIS DESIGN IS THE PROPERTY OF W.S. DARLEY AND CO. - UNAUTHORIZED REPRODUCTION IS PROHIBITED.	ALL DIMENSIONS IN INCHES UNLESS NOTED	DO NOT SCALE PRINT	DR: N. SMS CHKD: TRCD:	DATE 25-Mgt-14 SCALE 1/4

DLD0625