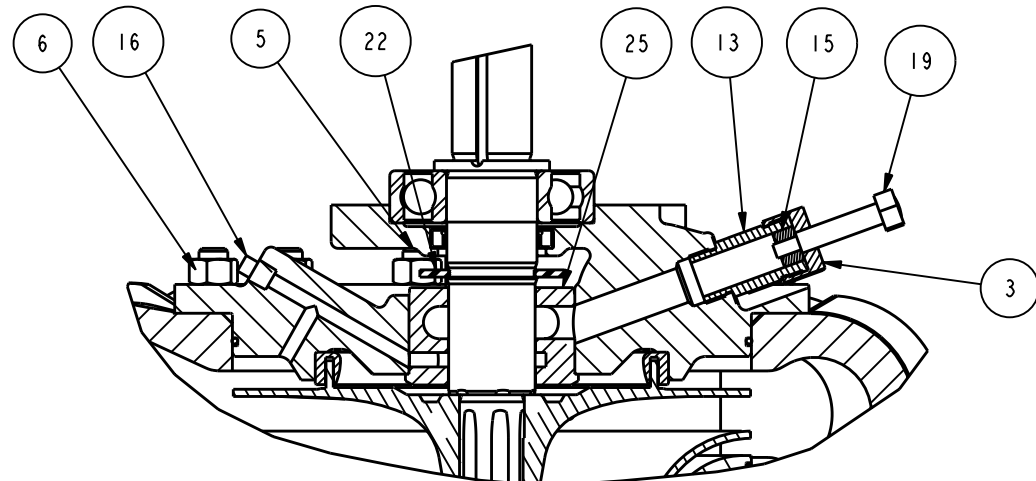


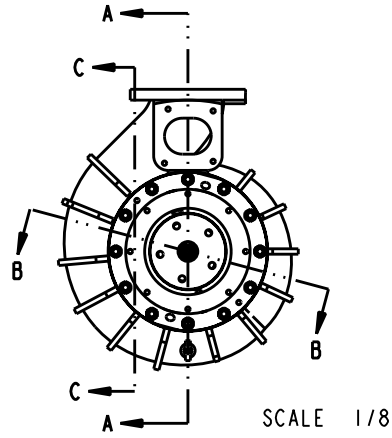
NO.	DESCRIPTION	PART NO.	QTY.
1	BEARING-BALL, 308SFF	1722000	1
2	DRAINCOCK - 0.250 NPTM, 9KC BR	5203600	1
3	GLAND NUT - A	2150300	1
4	HEAD - SUCTION, LS	2809800	1
5	HEAD-INBOARD, LS	2809702	1
6	HEX NUT - 1/2-13, GRADE 2	5403005	24
7	IMPELLER - LS, L.H.	2906900	1
8	NUT - CASTLE, .625-18, 303 SST	5403428	1
9	O-RING - 1.47 x 1.71 x 0.09	3601401	1
10	O-RING - 8.50 x 8.69 x 0.09	3601121	2
11	O-RING - 9.00 x 9.25 x 0.12	3601201	1
12	OIL SEAL - 1.563 ID X 2.129 OD	3600534	1
13	PACKING CYLINDER - B	2150800	1
14	PIN - COTTER, .125 x 1.50, SST	3605205	1
15	PISTON-GLAND STUD, S	2154500	1
16	PLUG - PIPE, 0.125, BR SQ HD	1080501	1
17	PUMP CASING - LS	2055602	1
18	SCREEN STRAINER	1122400	1
19	SCREW - PACKING	2156200	1
20	SEAL RING - LS	3406800	2
21	SHAFT - IMPELLER, LS	5019301	1
22	SLINGER - WATER, 1.421	3203202	1
23	STRAINER - FITTING	1122300	1
24	STUD - 0.500-13 X 1.750, GR5	3606401	24
25	STUFFING BOX - LS	2157500	1
26	WASHER-IMPELLER	3603322	1

NOTE:

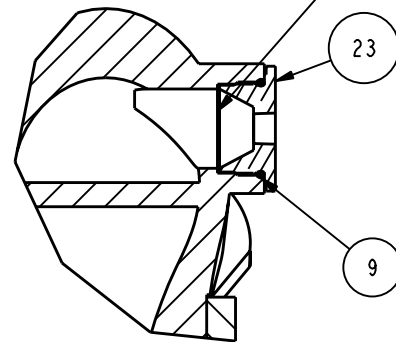
ITEMS NOT IN PL00200 BOM
 ITEMS ON TRANSM BOM ARE 1, 12, 21
 ITEMS ON KG01200 ARE 9, 10, 11
 ITEMS ON KF01400 ARE 6, 24
 ITEM AS VARIABLE IS 7



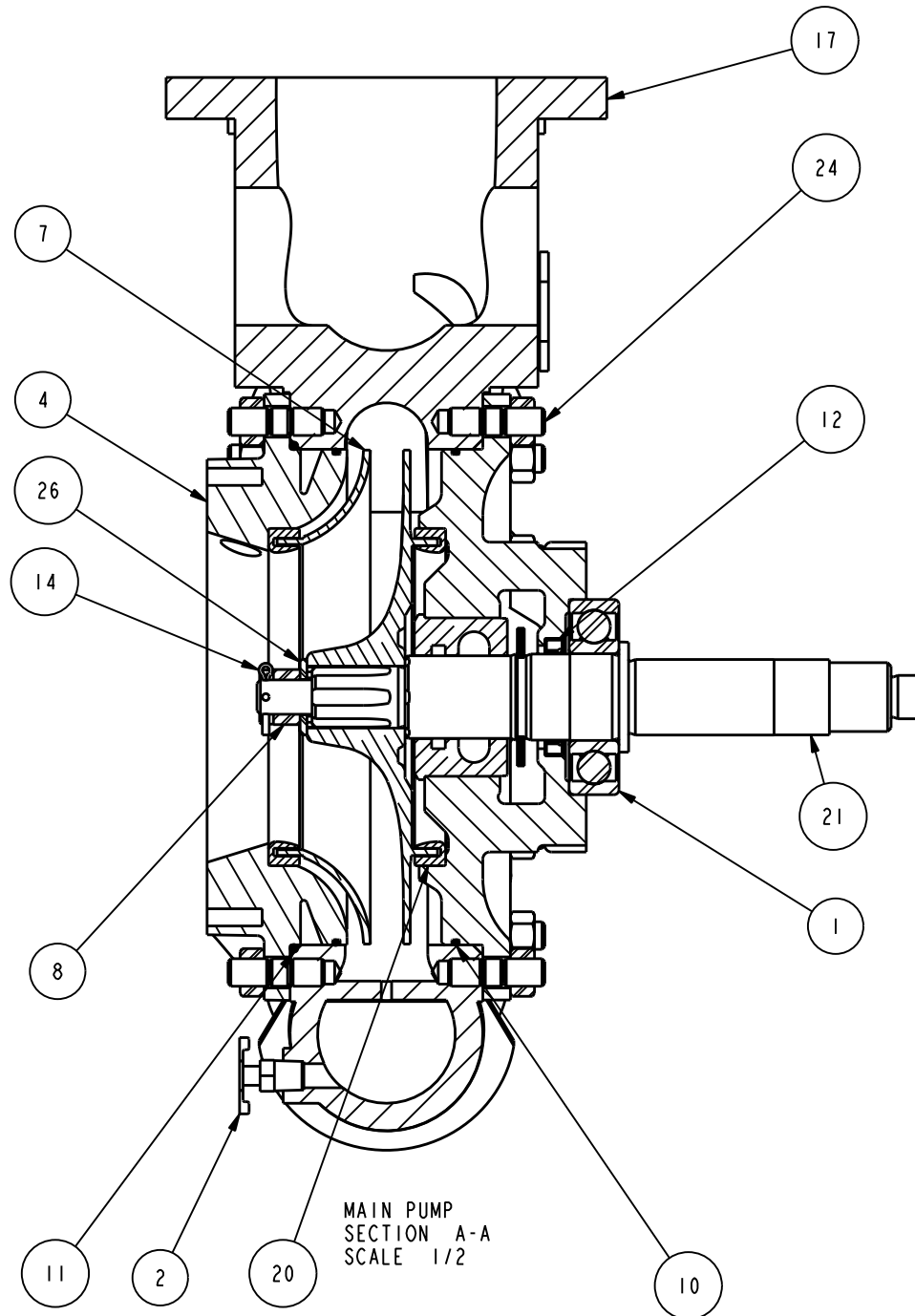
SECTION B-B



SCALE 1/8



SECTION C-C
SCALE 1/2



MAIN PUMP
SECTION A-A
SCALE 1/2

REVISIONS				
LTR	DESCRIPTION	DATE	CHG NO.	APPR'D
A	WAS 3203206	18FEB99		WMW

REMOVE SHARP EDGES		INCH (MILLIMETER)		TOLERANCE EXCEPT AS NOTED .00 ±.03 .000 ±.010 ANGLES ±1°	
MATERIAL DESCRIPTION: - - -		MATERIAL NO. - - -		OLD PART NO. - - -	
THIS DESIGN IS THE PROPERTY OF W.S. DARLEY AND CO. - UNAUTHORIZED REPRODUCTION IS PROHIBITED		ALL DIMENSIONS IN INCHES UNLESS NOTED		DO NOT SCALE PRINT	
DR 'N WMW		DATE 21-Jan-00		SCALE 1/2	
CHKD TBD		TRCD		DLC0500	

MODEL NAME	MDL CREATED	SHEET
DLC0500	13-Jul-98	1/1 C
W.S. Darley & Co. CHIPPewa FALLS, WI - MELROSE PARK, IL		
DWG - LS PUMP, LH ROT CROSS SECTION		
DLC0500		